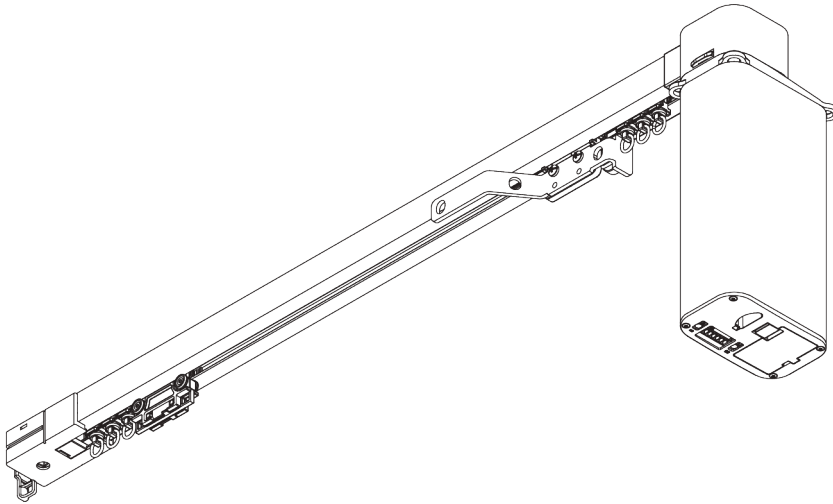
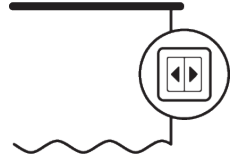


SG 5600



PRODUCT INFORMATION

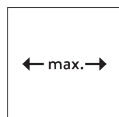
- **Operation:** motorised
- **Range:** S - L
- **Fitting:** ceiling, wall, recess
- **Colours:** white RAL 9016, black RAL 9005 or anodised aluminum, special colours possible (recess profile only in white RAL 9016, black RAL 9005 or special color)
- **Fabrics:** refer to Silent Gliss fabric collection

Features:

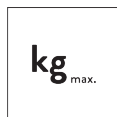
- Quiet, fast and powerful motor
- 2-component (2C) roller technology
- Wave (2C)
- Various control options
- Touch & Go
- Manual override incl. permanent positioning sensor
- Easy programming
- 100-250 AC and / or 24 V DC in one motor
- Bendable
- Bendable recess profile

SYSTEM SPECIFICATIONS

A. SYSTEM DIMENSIONS



25 m



65 kg

Max. curtain weights with 2C rollers / Wave rollers

Up to 12 m: Touch & Go, manual override, auto programming mode

	2 m	4 m	6 m	8 m	10 m	12 m	15 m	18 m	21 m	25 m
	25	45	45	50	65	45	45	45	45	40
	25	45	45	50	65	45	45	45	45	40
	25	35	35	40	35	35	35	32	29	25
	25	35	35	40	35	35	35	32	29	25
	25	30	30	30	25	25	22	19	15	-
	25	30	30	30	25	25	22	19	15	-
	20	20	20	18	16	12	10	-	-	-
	20	20	20	18	16	12	10	-	-	-

(kg max.)

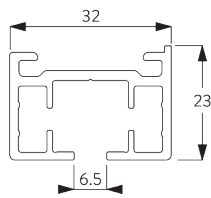
Max. curtain weights with Wave gliders

	2 m	4 m	6 m	8 m	10 m
	20	25	25	25	20
	20	25	25	25	20
	20	20	20	20	15
	20	20	20	20	15
	20	20	20	15	10
	20	20	20	15	10
	20	20	15	8	-
	20	20	15	8	-

(kg max.)

B. PROFILE

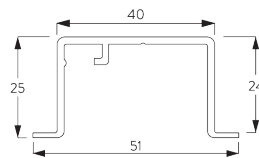
Profile and bending information



SG 10850

Profile

Radius:
✓ >25 cm

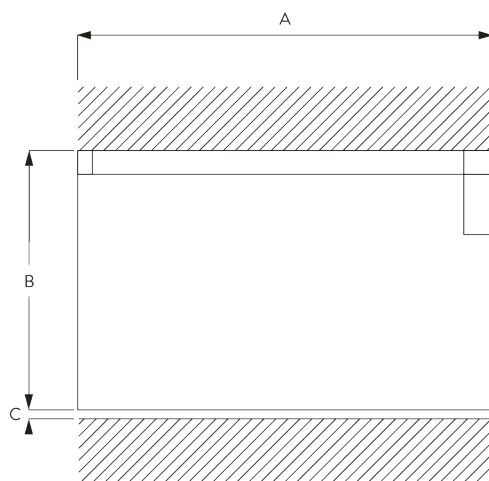


SG 10862

Recess profile

Radius:
✓ 50 - 75 cm
>75 cm on request

C. HOW TO MEASURE



A: System width
B: System height
C: Distance between floor and fabric

D. SPECIFICATION TEXT

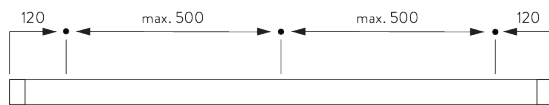
Silent Gliss SG 5600 Electrically Operated Curtain Track with Smart by Silent Gliss enabled motor. Comprises aluminium profile SG 10850 in silver anodized / white / black powder coated finish complete and ready assembled with interference free brushless motor SG 9060 with plug in 'Smart by Silent Gliss module SG 11270. Includes internal drive belt SG 10825, belt return set SG 10819. Supplied with 2C roller gliders SG 10840 / Wave 2C glider cord 60mm SG 10906 / Wave 2C 80mm glider cord SG 10905 / 2C Wave roller glider cord 60mm SG 10869 / 2C Wave roller glider cord 80mm SG 10852. Features manual 'Touch and Go' operation and manual override in the event of power failure. Top fixed with clamps SG 3004 at max. 500mm centres / face fixed with Silent Gliss Smart Fix extension bracket range. Optional recess profile SG 10862. Operation by compatible third-party control system offering full two-way communication. Powered by 24V DC power supply (not supplied) or mains power. Permanent memory limit switching positions. Only to be used in conjunction with associated 'Smart by Silent Gliss' Gateway and components. All wiring to be strictly in accordance with Silent Gliss wiring diagrams.

Silent Gliss SG 5600 Electrically Operated Curtain Track. Comprises aluminium profile SG 10850 in silver anodized / white / black powder coated finish complete and ready assembled with interference free brushless motor SG 9060. Includes internal drive belt SG 10825, belt return set SG 10819. Supplied with 2C roller glider SG 10840 / Wave 2C glider cord 60mm SG 10906 / Wave 2C 80mm glider cord SG 10905 / 2C Wave roller glider cord 60mm SG 10869 / 2C Wave roller glider cord 80mm SG 10852. Features manual 'Touch and Go' operation (with permanent power only) and manual override in the event of power failure. Top fixed with clamps SG 3004 at max. 500mm centre / face fixed with Silent Gliss Smart Fix extension bracket range. Optional recess profile SG 10862. Operation by mains or dry contact switching. Optional plug in receiver modules for switching by Silent Gliss radio control systems SG Control L / SG Control R. Operation via app possible using Move Server Set SG 9960 (requires radio control module SG 9063). Mains or 24v DC power supply (power supply not included). Permanent memory limit switching positions. All wiring to be strictly in accordance with Silent Gliss wiring diagrams.

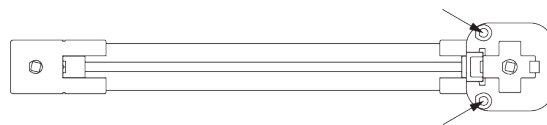
FITTING

A. FITTING INFORMATION

Fixing points



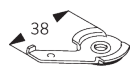
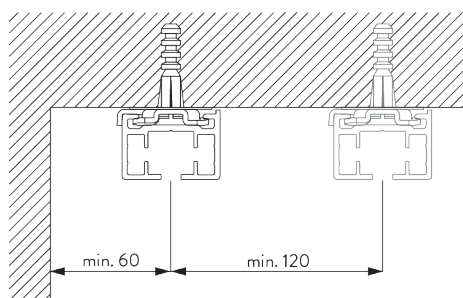
For detailed fitting information, visit the [Silent Gliss website](#).



Motor holder to be fixed (ceiling fitting only).

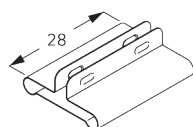
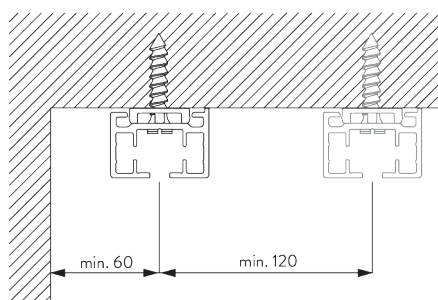
B. CEILING FITTING

Clamp SG 3004

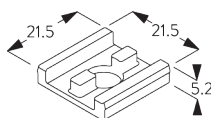


SG 3004
Clamp

Direct fitting (2C roller only)



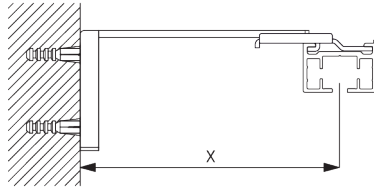
SG 7002
Profile protector



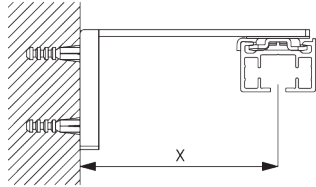
SG 10865
Support plate

C. WALL FITTING

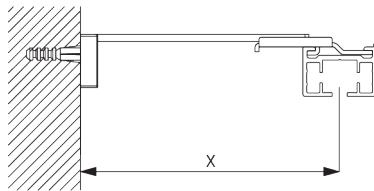
Smart Fix



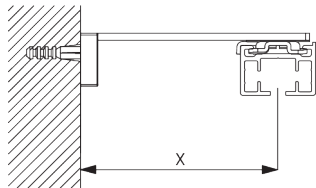
Smart Fix SG 11200 - SG 11205 and bracket SG 3041:
Screw SG 10492 (M4x8) needed.



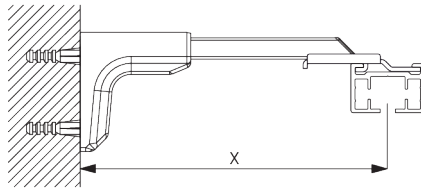
Smart Fix SG 11200 - SG 11205 and clamp SG 3004:
Screw SG 10074 (M4x8) needed.



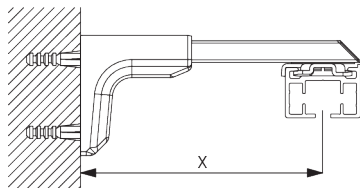
Square Smart Fix SG 11210 - SG 11215 and bracket SG 3041:
Screw SG 10492 (M4x8) needed.



Square Smart Fix SG 11210 - SG 11215 and clamp SG 3004:
Screw SG 10074 (M4x8) needed.

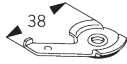


Universal Smart Fix SG 11154 - SG 11156 and bracket SG 3041:
Screw SG 10407 (M4x10) needed.

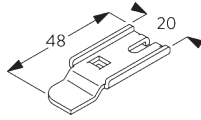


Universal Smart Fix SG 11154 - SG 11156 and clamp SG 3004:
Screw SG 11158 (M4x12) needed.

Smart Fix	X mm (SG 3041)	X mm (SG 3004)
SG 11200 / SG 11210	83	
SG 11201 / SG 11211	103	72
SG 11202 / SG 11212	123	92
SG 11203 / SG 11213	143	112
SG 11204 / SG 11214	173	142
SG 11205 / SG 11215	223	192
SG 11154	128-156	102-130
SG 11155	158-186	132-160
SG 11156	208-236	182-210



SG 3004
Clamp



SG 3041
Bracket



SG 10074
Countersunk head screw
M4x8



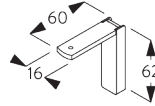
SG 10407
Pan head screw M4x10



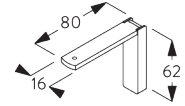
SG 10492
Pan head screw M4x8



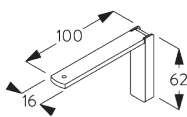
SG 11158
Countersunk head screw
M4x12



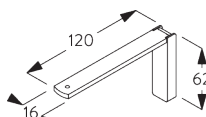
SG 11200
Smart Fix 60 mm



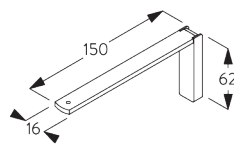
SG 11201
Smart Fix 80 mm



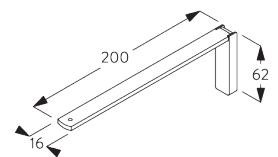
SG 11202
Smart Fix 100 mm



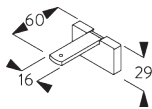
SG 11203
Smart Fix 120 mm



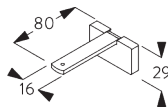
SG 11204
Smart Fix 150 mm



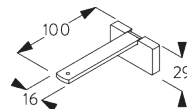
SG 11205
Smart Fix 200 mm



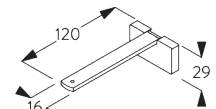
SG 11210
Square Smart Fix 60 mm



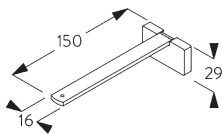
SG 11211
Square Smart Fix 80 mm



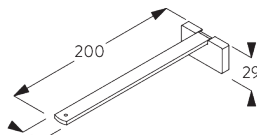
SG 11212
Square Smart Fix 100 mm



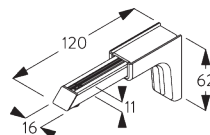
SG 11213
Square Smart Fix 120 mm



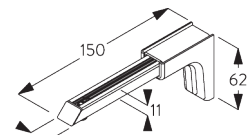
SG 11214
Square Smart Fix 150 mm



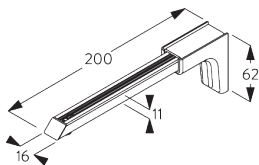
SG 11215
Square Smart Fix 200 mm



SG 11154
Universal Smart Fix 120 mm



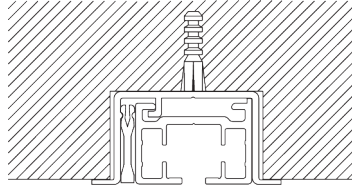
SG 11155
Universal Smart Fix 150 mm



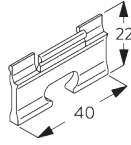
SG 11156
Universal Smart Fix 200 mm

D. RECESS FITTING

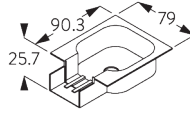
Recess profile SG 10862



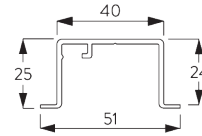
One wedge SG 5118 per fixing point.
For detailed recess fitting, visit the Silent Gliss website.



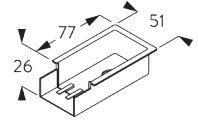
SG 5118
Wedge



SG 10863
Recess mask

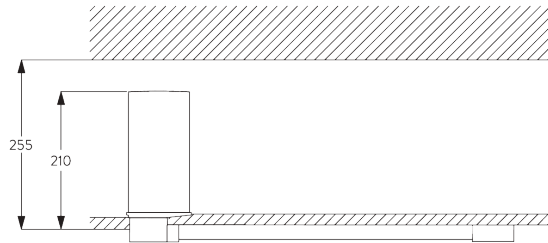


SG 10862
Recess profile



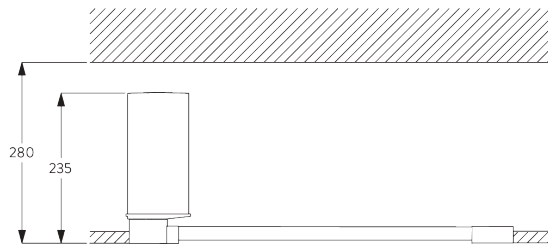
SG 10864
Recess mask

Motor recessed in suspended ceiling



Profile mounted with clamp SG 3004.

Access to the ceiling space is necessary for assembly / programming.

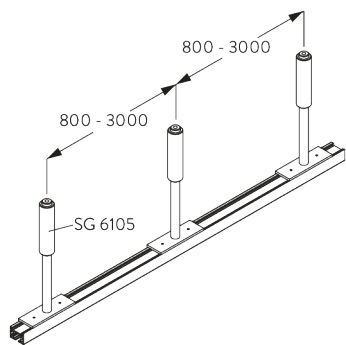


Profile SG 10862 recessed into ceiling.

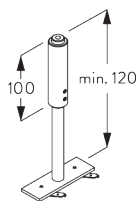
Access to the ceiling space is necessary for assembly / programming.

**E. SUSPENDED
FITTING**

Hanger SG 6105



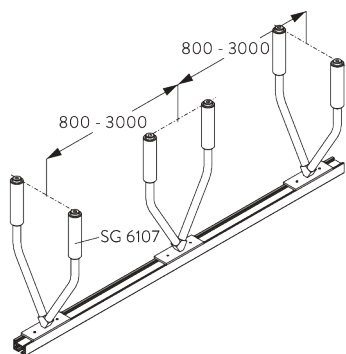
Curtain weight reduces by 30%.



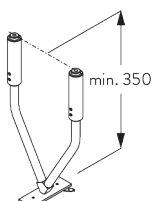
SG 6105

Hanger with plate

V-hanger SG 6107



Curtain weight reduces by 30%.

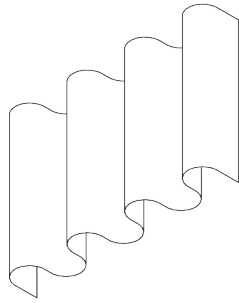


SG 6107

V-Hanger with plate

SYSTEM OPTIONS

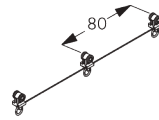
A. WAVE



SG 6365



SG 10844



SG 10852



SG 10854



SG 10856



SG 10867



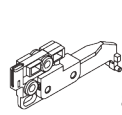
SG 10886



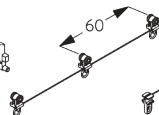
SG 10887

Standard components:

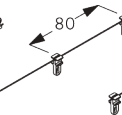
- SG 6365 Wave hanger
- SG 10844 Wave end stop
- SG 10852 Wave 2C roller cord, 80 mm
- SG 10854 Wave overlap arm support
- SG 10856 Wave end stop, belt return
- SG 10867 Panhead screw
- SG 10886 Wave extension
- SG 10887 Wave overlap arm set



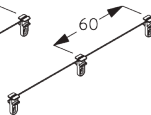
SG 10845



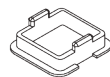
SG 10869



SG 10905



SG 10906



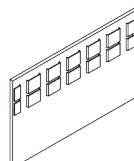
SG 10924

Optional components:

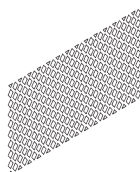
- SG 10845 Wave master carrier single stack 80 mm
- SG 10869 Wave 2C roller cord, 60 mm (no single stack)
- SG 10905 Wave glider cord, 80 mm
- SG 10906 Wave glider cord, 60 mm (no single stack)
- SG 10924 Wave glider support



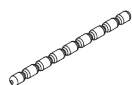
SG 3582



SG 6349



SG 6363



SG 10075

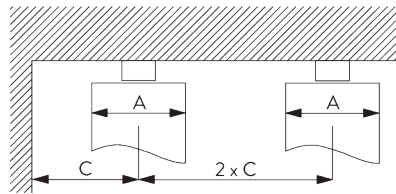
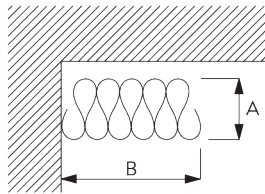


SG 10076

Curtain components:

- SG 3582 Hook
- SG 6349 Wave curtain tape
- SG 6363 Wave top hemming tape
- SG 10075 Lead weight 50 gr/m
- SG 10076 Fabric weight

Wave stack depth - 2C roller / glider cord (standard components)



A = Stack depth
B = Stack size
C = Min. distance

Roller / glider cord SG 10852 / 10905	Pockets between hooks	Approx. curtain fullness	Stack depth A	Stack size B*	Min distance C
80	6	~2.1	140	210 per metre of track	90
80	7	~2.3	160	210 per metre of track	100

Roller / glider cord SG 10869 / 10906	Pockets between hooks	Approx. curtain fullness	Stack depth A	Stack size B*	Min distance C
60	4	~2.1	100	260 per metre of track	70
60	5	~2.3	120	260 per metre of track	80

*Stack size B plus 190 mm for each curtain stack!

MOTOR & CONTROLS

A. MOTOR FEATURES

Motor	SG 9060
-------	---------

Motor Features

Soft start / stop	●
Touch & Go	●
Manual Override	●
Modular radio system (optional)	●
Electronic end-stop	●
Electronic revolution counter (unlimited revolution)	●
Two intermediate positions possible	●
Parallel wiring possible without additional relays	●
High-end DC motor with brushless technology	●
Permanent positioning sensor (even without power)	●
100 - 250 V AC and / or 24 V DC in one motor	●
Cable connectable with plug into motor	●
IP class	IP 40

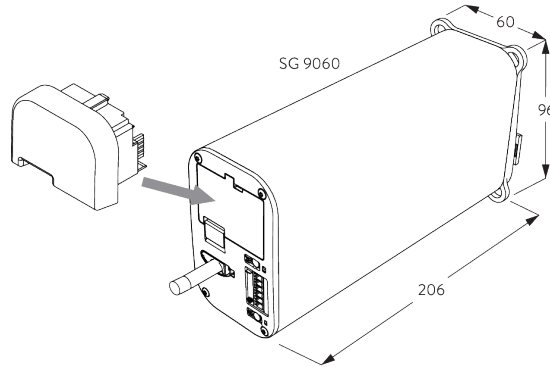
Control Features

Mains power control	●
Dry contact control	●
Dry contact and / or SG Control L (with radio module)	●
Dry contact and / or SG Control R (with radio module)	●
SG Control L (with radio module)	●
SG Control R (with radio module)	●
Smart by Silent Gliss (with smart module)	●
Suitable for all common home automation systems (with suitable interface)	●

B. MOTOR SPECIFICATIONS

Motor	Motor dimensions	Voltage AC	Voltage DC	Current	Frequency	System speed / sec	Frequency receiver
SG 9060	L 206 x W 60 x D 96	100 - 250 V AC	24 V DC	1.3 - 0.5 A	50 - 60 Hz	21 cm / sec	n/a
SG 9060 w/ SG Control L	L 226 x W 60 x D 96	100 - 250 V AC	24 V DC	1.3 - 0.5 A	50 - 60 Hz	21 cm / sec	868/915 MHz
SG 9060 w/ SG Control R	L 226 x W 60 x D 96	100 - 250 V AC	24 V DC	1.3 - 0.5 A	50 - 60 Hz	21 cm / sec	433 MHz
SG 9060 w/ Smart by SG	L 226 x W 60 x D 96	100 - 250 V AC	24 V DC	1.3 - 0.5 A	50 - 60 Hz	21 cm / sec	Smart by SG

C. MOTOR DIMENSIONS / MODULES



Motor SG 9060 can be equipped with following modules:

- SG 9063 Radio module SG Control L
- SG 11411 Radio module SG Control R
- SG 11270 Smart module

See catalogue "controls" for details.

D. OPERATING METHODS

See catalogue "controls" for details.

Wall switch



System can be operated by fixed wall switch.

SG Control L

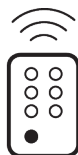


Various radio hand-held and wall transmitters available.



Silent Gliss Move App.

SG Control R



Various radio hand-held and wall transmitters available.

Smart by Silent Gliss



Open designed two-way communication system which allows to flawlessly integrate products with most major building management systems. Smart module SG 11270 required.


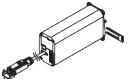
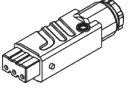
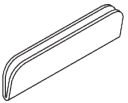
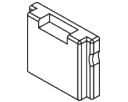
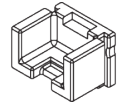
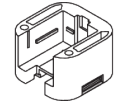
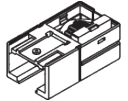
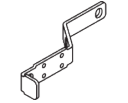
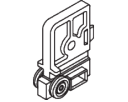
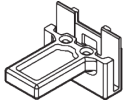
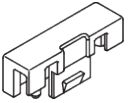
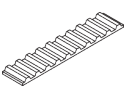
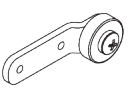
E. WIRING
DIAGRAMS

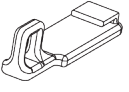
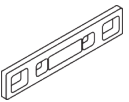
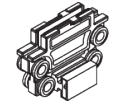

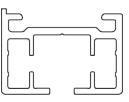
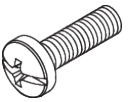


Refer to Silent Gliss website.

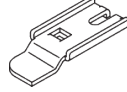
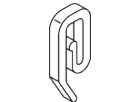
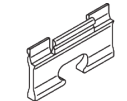
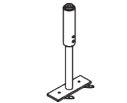



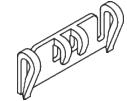

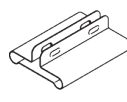
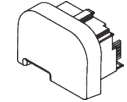
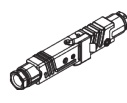
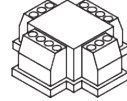
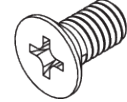
PARTS


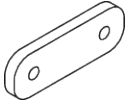
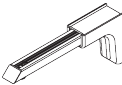
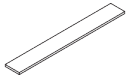
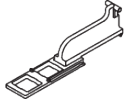
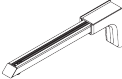
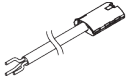
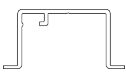
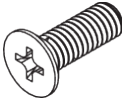
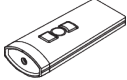
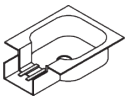
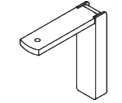

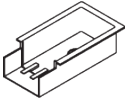
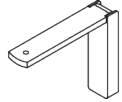

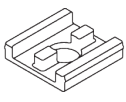
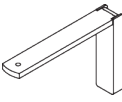
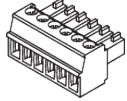
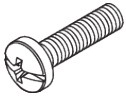
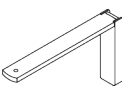

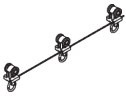
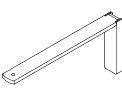
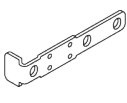
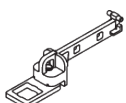
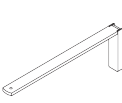
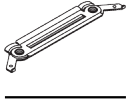
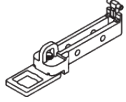
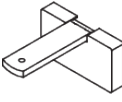
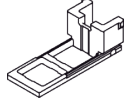
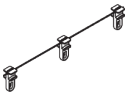
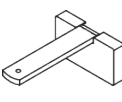
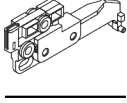
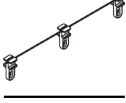
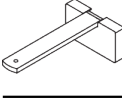
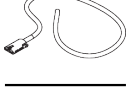
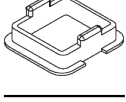
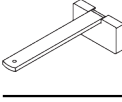
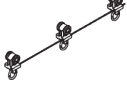
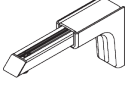
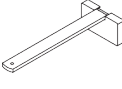
A. STANDARD PARTS

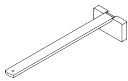
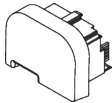
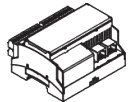
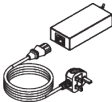
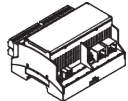
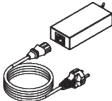
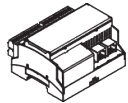
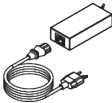
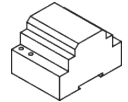
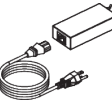
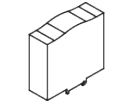
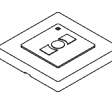
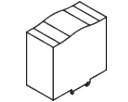
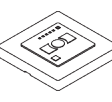
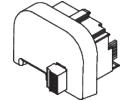
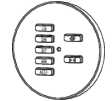

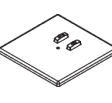
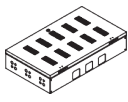
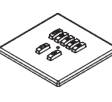
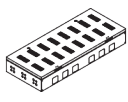
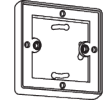
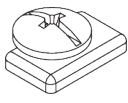
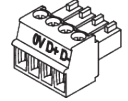
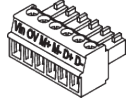
	SG 3004 Clamp
	SG 9060 Motor 100-250V AC & 24V DC
	SG 9917 Hirschmann portable socket-outlet STAK 3 N
	SG 10725 Programming distance holder
	SG 10815 Cover
	SG 10816 Cover
	SG 10817 Motor holder
	SG 10819 Belt return
	SG 10821 Overlap arm
	SG 10822 Master carrier
	SG 10823 Belt connector arm
	SG 10824 Belt connector pin
	SG 10825 Belt
	SG 10826 Overlap arm support

	SG 10836 Mask pair stack
	SG 10837 Pilot runner
	SG 10838 Pilot runner
	SG 10840 2C roller
	SG 10850 Profile
	SG 10923 Pan head screw Freedriv M4x12

B. OPTIONAL PARTS

	SG 3041 Bracket
	SG 3582 Hook
	SG 5118 Wedge
	SG 6105 Hanger with plate
	SG 6107 V-Hanger with plate
	SG 6349 Wave curtain tape
	SG 6363 Wave top hemming tape
	SG 6365 Wave hanger
	SG 6794 Pan head screw 2.9x38 DIN 7981C
	SG 7002 Profile protector
	SG 9063 Radio module type L
	SG 9916 Hirschmann plug set
	SG 9959 Central control unit relay
	SG 10074 Countersunk head screw M4x8

	SG 10075 Lead weight 50 g/m		SG 10854 Wave overlap plate		SG 11155 Universal Smart Fix 150 mm
	SG 10076 Fabric weight		SG 10856 Wave extension		SG 11156 Universal Smart Fix 200 mm
	SG 10293 Cable 230V AC, 2/3/5/10 m		SG 10862 Recess profile		SG 11158 Countersunk head screw M4x12
	SG 10300 Radio hand held 1 channel		SG 10863 Recess mask		SG 11200 Smart Fix 60 mm
	SG 10302 Radio hand held 5+1 channel		SG 10864 Recess mask		SG 11201 Smart Fix 80 mm
	SG 10303 Radio hand held 10+2+1 channel		SG 10865 Support plate		SG 11202 Smart Fix 100 mm
	SG 10714 Plug 6-pin, MC 1.5/6-ST-3.81		SG 10867 Pan head screw Freedriv M4x16		SG 11203 Smart Fix 120 mm
	SG 10804 Radio hand held 15+5+1 channel		SG 10869 Wave 2C roller cord 60 mm		SG 11204 Smart Fix 150 mm
	SG 10820 Overlap arm		SG 10886 Wave extension		SG 11205 Smart Fix 200 mm
	SG 10831 Connection bridge		SG 10887 Wave extension		SG 11210 Square Smart Fix 60 mm
	SG 10844 Wave end stop		SG 10905 Wave glider cord 80 mm		SG 11211 Square Smart Fix 80 mm
	SG 10845 Wave master carrier		SG 10906 Wave glider cord 60 mm		SG 11212 Square Smart Fix 100 mm
	SG 10851 2 m cable UL certified incl. plug only for USA		SG 10924 Wave glider support		SG 11213 Square Smart Fix 120 mm
	SG 10852 Wave 2C roller cord 80 mm		SG 11154 Universal Smart Fix 120 mm		SG 11214 Square Smart Fix 150 mm

	SG 11215 Square Smart Fix 200 mm		SG 11411 Radio module type R
	SG 11260 Gateway Cedia		SG 11412 Power supply 24V / 4A lead including cable UK plug
	SG 11261 Gateway KNX		SG 11414 Power supply 24V / 4A including cable EU plug
	SG 11262 Expansion unit		SG 11415 Power supply 24V / 4A including cable CH plug
	SG 11264 Power supply 24V DC, 3.8A DIN Rail		SG 11416 Power supply 24V / 4A including cable US plug
	SG 11265 Power supply 24V DC, 5A DIN Rail		SG 11480 Radio wall transmitter 1 channel
	SG 11266 Power supply 24V DC, 10A DIN Rail		SG 11490 Radio wall transmitter 5+1 channel
	SG 11270 Smart module		SG 20336 Hand held transmitter 8 channel
	SG 11281 Cabinet for 8 systems		SG 20913 Wall switch single channel
	SG 11282 Cabinet for 24 systems		SG 20914 Wall switch 8 channel
	SG 11283 Cabinet for 56 systems		SG 20917 Pattress box
	SG 11295 End stop		
	SG 11318 Plug 4-pin, MC 1.5/4-ST-3.5		
	SG 11325 Smart plug 6-pin, MC 1.5/6 ST-3.81		

