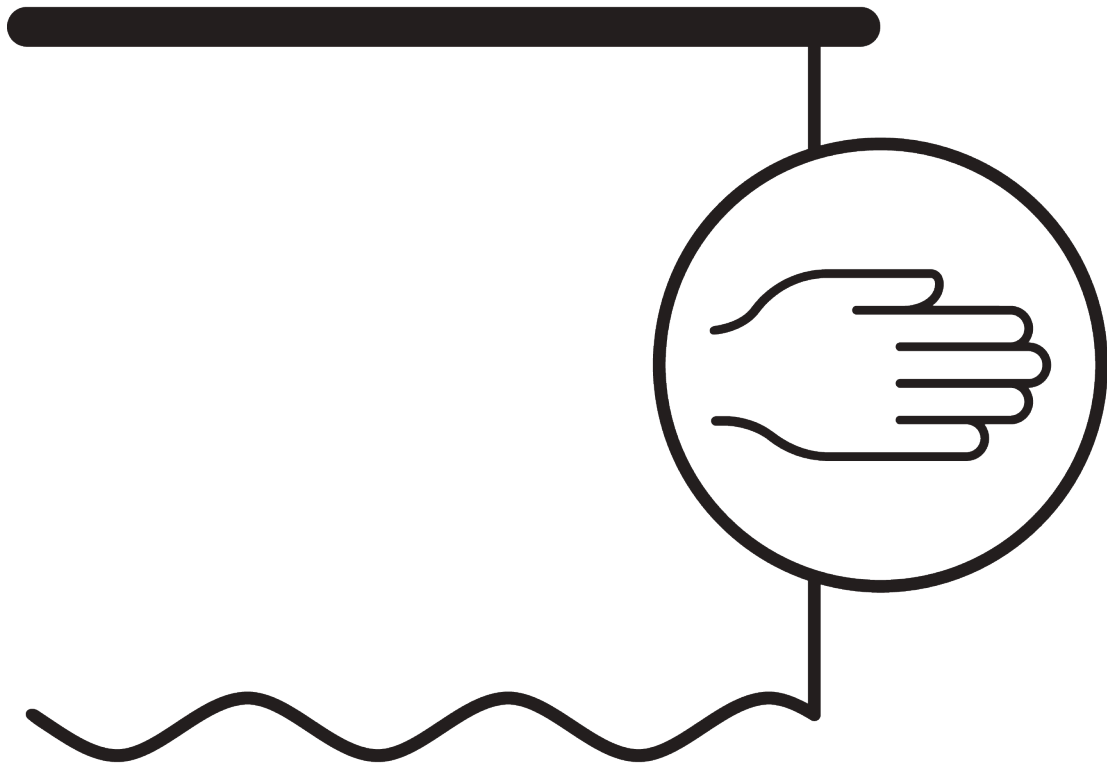


# HAND OPERATED CURTAIN TRACK SYSTEMS



# GENERAL NOTES

## **Dimensions**

- *Measurements are in mm except where indicated.*
- *Max. kg relates to fabric incl. accessories.*
- *Stack size depends on curtain make-up and fabric thickness.*
- *Distance between gliders max. 80 mm / distance between rollers max. 100 mm.*
- *Recommended distance floor / fabric: 20 mm.*
- *In order to determine system height (B), the smallest room height must be taken into account.*






































## **Fitting**









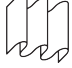
- *Installation by qualified fitter only.*
- *Number of brackets and fitting positions / fixing points vary depending on fitting surface, system weight, fabric make-up, screw / fixing type and obstacles.*
- *Qualified fitter must use appropriate screws / fixings for each situation.*
- *Profile lip if applicable to be installed to room side.*

## **Child Safety**

- *All relevant Silent Gliss systems correspond to child safety EN 13120.*
- *All parties involved must comply with EN 13120.*

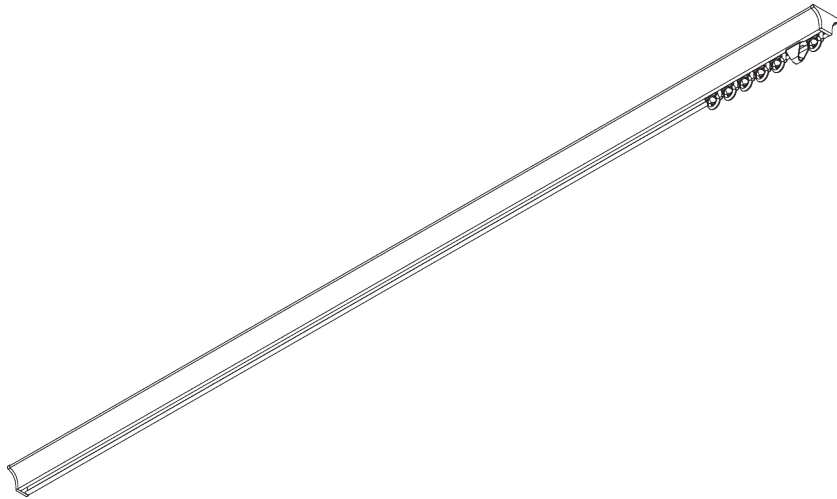
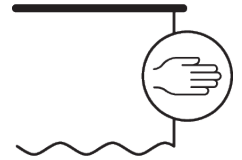
# APPLICATION CHART

<u>PAGE</u>	<u>SYSTEM</u>	<u>OPERATION</u>	<u>DIMENSION</u>	<u>DESIGN</u>	<u>WAVE</u>	<b>kg</b> <sub>max.</sub>
5	<b>SG 1020</b>		S			10 kg
9	<b>SG 1021</b>		S			
13	<b>SG 1025</b>		S			
17	<b>SG 1070</b>		S			
21	<b>SG 1080</b>		S			
29	<b>SG 1090</b>		S			
35	<b>SG 1280</b>		M - L			
41	<b>SG 3600</b>					10 kg
45	<b>SG 6010</b>		S - M			
53	<b>SG 6021</b>		S - M			
57	<b>SG 6243</b>		S - M			
63	<b>SG 6290</b>		S - M			
67	<b>SG 6293</b>		M - L			
71	<b>SG 6380</b>		M - L			
79	<b>SG 6465</b>		S - M			
85	<b>SG 6820</b>		S - M			10 kg

<u>PAGE</u>	<u>SYSTEM</u>	<u>OPERATION</u>	<u>DIMENSION</u>	<u>DESIGN</u>	<u>WAVE</u>	kg <sub>max.</sub>
91	<b>SG 6840</b>		M - L			
101	<b>SG 6870</b>		M - L			
111	<b>SG 6970</b>		M - L			

# SG 1020

---



## PRODUCT INFORMATION

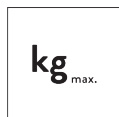
- **Operation:** hand
- **Range:** S
- **Fitting:** ceiling
- **Colours:** white RAL 9016; special colours or anodised aluminum possible
- **Fabrics:** refer to Silent Gliss fabric collection

### **Features:**

- Symmetrical funnel design
- Bendable

# SYSTEM SPECIFICATIONS

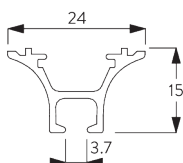
## A. SYSTEM DIMENSIONS



10 kg

## B. PROFILE

Profile and bending information

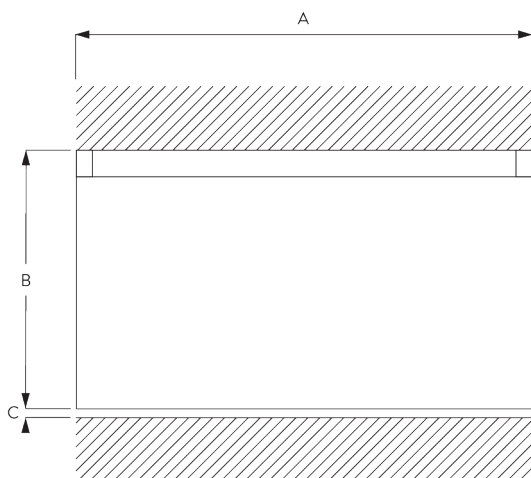


**SG 6822**

Profile Funnel

Radius:  
✓ >27 cm

## C. HOW TO MEASURE



A: System width

B: System height

C: Distance between floor and fabric

## D. SPECIFICATION TEXT

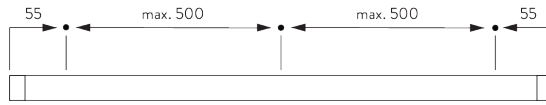
**Silent Gliss SG 1020 Hand Operated Curtain Track System.** Comprises aluminium profile SG 6822 supplied made to measure powder coated white, with gliders SG 3533 at 14/m and 2 end covers SG 6824 and 2 end stops SG 3016 per length. Top fixed with clip brackets SG 11236 at max. 500 mm centres.

# FITTING

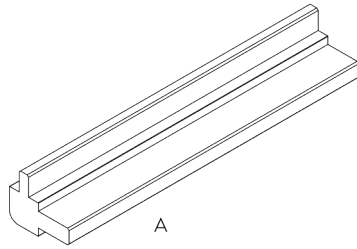
## A. FITTING INFORMATION

For detailed fitting information, visit the *Silent Gliss* website.

### Fixing points



### Fitting Tool

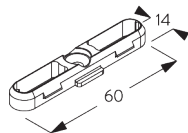
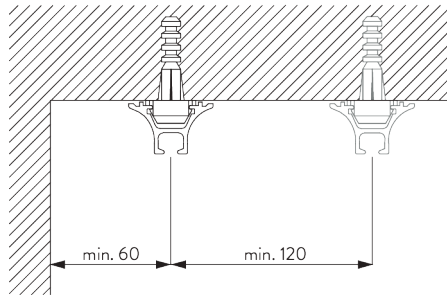


A: Funnel fitting tool SG 6827

For fitting / removing of the funnel profile.

## B. CEILING FITTING

### Clip SG 11236





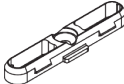


SG 11236






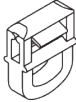



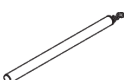
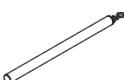
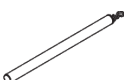
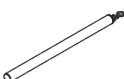
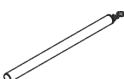
Clip

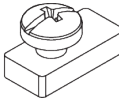
# PARTS

## A. STANDARD PARTS

	<b>SG 3016</b> End stop
	<b>SG 3533</b> Glider
	<b>SG 6822</b> Profile Funnel
	<b>SG 6824</b> End cover
	<b>SG 11236</b> Clip

## B. OPTIONAL PARTS

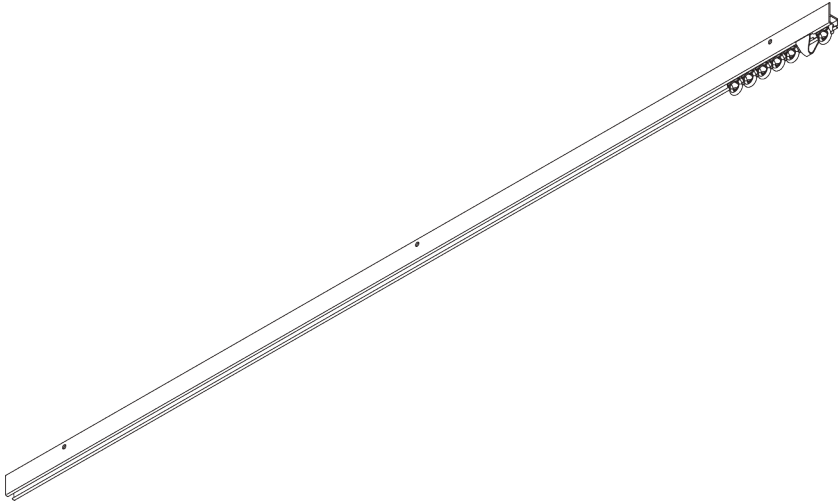
	<b>SG 3062</b> Connection bridge
	<b>SG 3070</b> End stop
	<b>SG 3071</b> End stop
	<b>SG 3511</b> Glider
	<b>SG 3534</b> Glider 3533 on strip
	<b>SG 3548</b> Glider
	<b>SG 3570</b> Glider
	<b>SG 3582</b> Hook
	<b>SG 3599</b> Hook
	<b>SG 10430</b> Draw rod 50 cm
	<b>SG 10431</b> Draw rod 75 cm
	<b>SG 10432</b> Draw rod 100 cm
	<b>SG 10433</b> Draw rod 125 cm
	<b>SG 10434</b> Draw rod 150 cm

	<b>SG 11335</b> End stop
---	-----------------------------



# SG 1021

---



## PRODUCT INFORMATION

- **Operation:** hand
- **Range:** S
- **Fitting:** wall
- **Colours:** white RAL 9016; special colours or anodised aluminum possible
- **Fabrics:** refer to Silent Gliss fabric collection

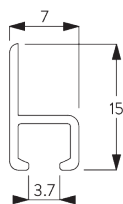
### **Features:**

- Pre-drilled profile
- Bendable

# SYSTEM SPECIFICATIONS

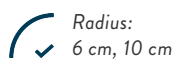
## A. PROFILE

Profile and bending information

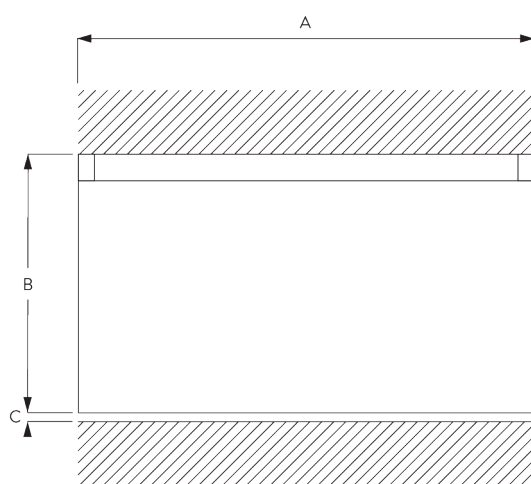


SG 1021p

Profile



## B. HOW TO MEASURE



A: System width  
B: System height  
C: Distance between floor and fabric

## C. SPECIFICATION

TEXT

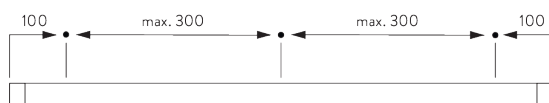
**Silent Gliss SG 1021 Hand Operated Curtain Track System.** Comprises aluminium profile SG 1021 supplied made to measure powder coated white/ silver anodised with gliders SG 3533 at 14/m and 2 end stops SG 3016 per length. Face fixed to timber only with screw SG6835 at max. 300mm centres.

# FITTING

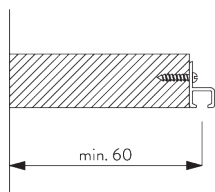
## A. FITTING INFORMATION

Fixing points

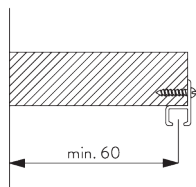
For detailed fitting information, visit the [Silent Gliss website](#).



**B. FACE FITTING**




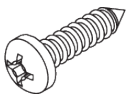


**C. FACE FITTING  
(ALTERNATIVE)**



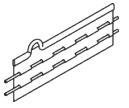


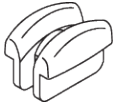

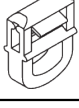
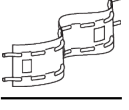


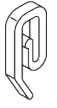
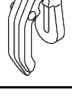



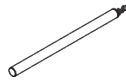

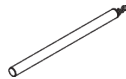
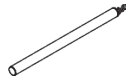
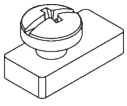
# PARTS

## A. STANDARD PARTS

	<b>SG 1021p</b> Profile
	<b>SG 3016</b> End stop
	<b>SG 3533</b> Glider
	<b>SG 10896</b> Pan head screw 2.9x13

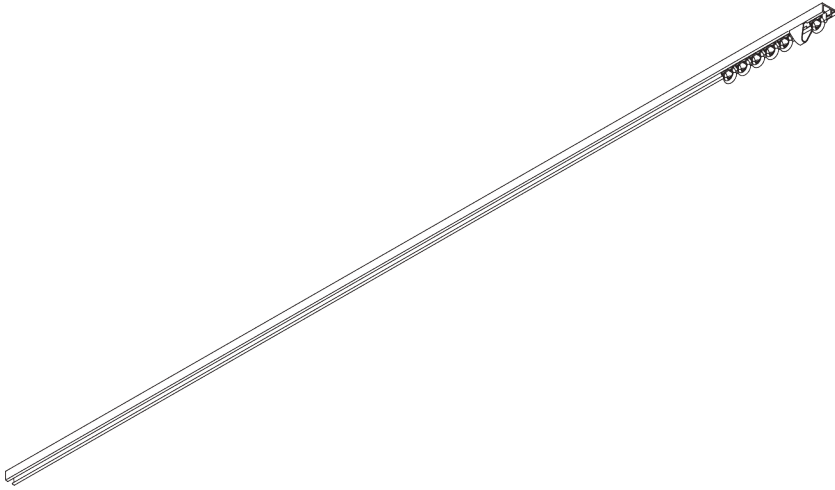
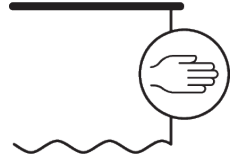
## B. OPTIONAL PARTS

	<b>SG 3020</b> Hook
	<b>SG 3032</b> Spring stop
	<b>SG 3068</b> Frizzing tape
	<b>SG 3070</b> End stop
	<b>SG 3071</b> End stop
	<b>SG 3511</b> Glider
	<b>SG 3534</b> Glider 3533 on strip
	<b>SG 3548</b> Glider
	<b>SG 3562</b> Heading tape
	<b>SG 3570</b> Glider
	<b>SG 3571</b> Hook
	<b>SG 3582</b> Hook
	<b>SG 3599</b> Hook
	<b>SG 10430</b> Draw rod 50 cm

	<b>SG 10431</b> Draw rod 75 cm
	<b>SG 10432</b> Draw rod 100 cm
	<b>SG 10433</b> Draw rod 125 cm
	<b>SG 10434</b> Draw rod 150 cm
	<b>SG 11335</b> End stop

# SG 1025

---



## PRODUCT INFORMATION

- **Operation:** hand
- **Range:** S
- **Fitting:** ceiling
- **Colours:** white RAL 9016; special colours or anodised aluminum possible
- **Fabrics:** refer to Silent Gliss fabric collection

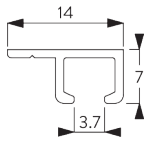
### **Features:**

- Pre-drilled profile
- Bendable

# SYSTEM SPECIFICATIONS

## A. PROFILE

Profile and bending information

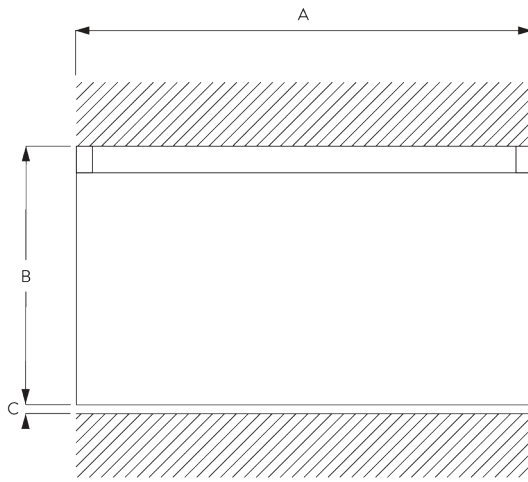


SG 1025p

Profile

Radius:  
✓ 6 cm, 10 cm

## B. HOW TO MEASURE



A: System width

B: System height

C: Distance between floor and fabric

## C. SPECIFICATION TEXT

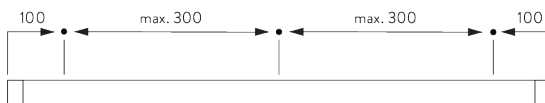
**Silent Gliss SG 1025 Hand Operated Curtain Track System.** Comprises aluminium profile SG 1025 supplied made to measure powder coated white/ silver anodised with gliders SG 3533 at 14/m and 2 end stops SG 3016 per length. Top fixed to timber only with screw SG 6835 at max. 300 mm centres.

# FITTING

## A. FITTING INFORMATION

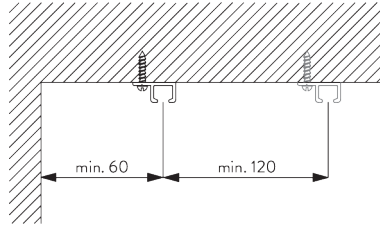
Fixing points

For detailed fitting information, visit the [Silent Gliss website](#).



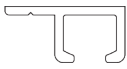


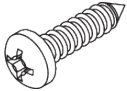
## **B. CEILING FITTING**

**Direct into wood**


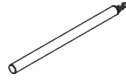

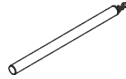
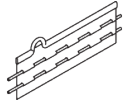
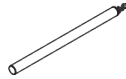

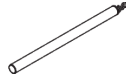

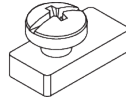



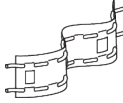


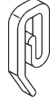

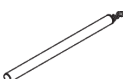


# PARTS

## A. STANDARD PARTS

	<b>SG 1025p</b> Profile
	<b>SG 3016</b> End stop
	<b>SG 3533</b> Glider
	<b>SG 10896</b> Pan head screw 2.9x13

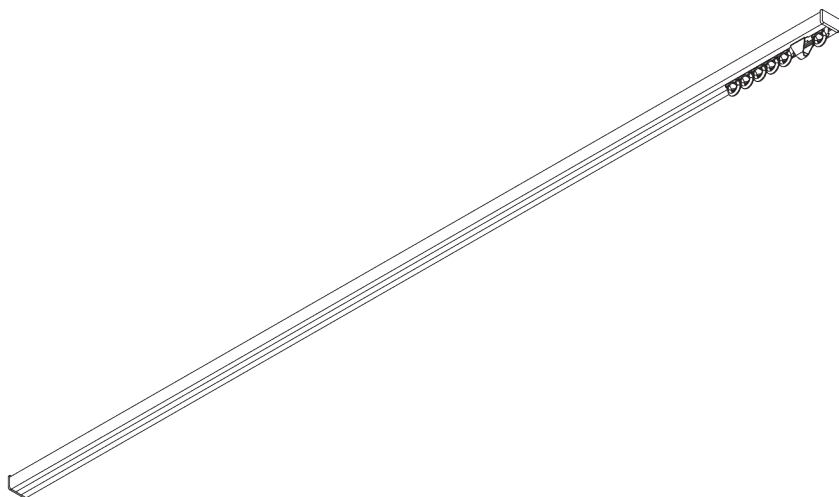
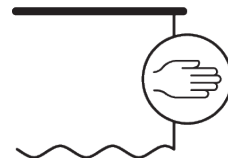
## B. OPTIONAL PARTS

	<b>SG 3020</b> Hook		<b>SG 10431</b> Draw rod 75 cm
	<b>SG 3032</b> Spring stop		<b>SG 10432</b> Draw rod 100 cm
	<b>SG 3068</b> Frizzing tape		<b>SG 10433</b> Draw rod 125 cm
	<b>SG 3070</b> End stop		<b>SG 10434</b> Draw rod 150 cm
	<b>SG 3071</b> End stop		<b>SG 11335</b> End stop
	<b>SG 3511</b> Glider		
	<b>SG 3534</b> Glider 3533 on strip		
	<b>SG 3548</b> Glider		
	<b>SG 3562</b> Heading tape		
	<b>SG 3570</b> Glider		
	<b>SG 3571</b> Hook		
	<b>SG 3582</b> Hook		
	<b>SG 3599</b> Hook		
	<b>SG 10430</b> Draw rod 50 cm		



# SG 1070

---



## PRODUCT INFORMATION

- **Operation:** hand
- **Range:** S
- **Fitting:** ceiling
- **Colours:** white RAL 9016; special colours or anodised aluminum possible
- **Fabrics:** refer to Silent Gliss fabric collection

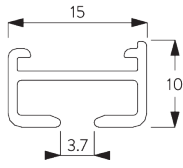
### **Features:**

- Bendable

# SYSTEM SPECIFICATIONS

## A. PROFILE

Profile and bending information

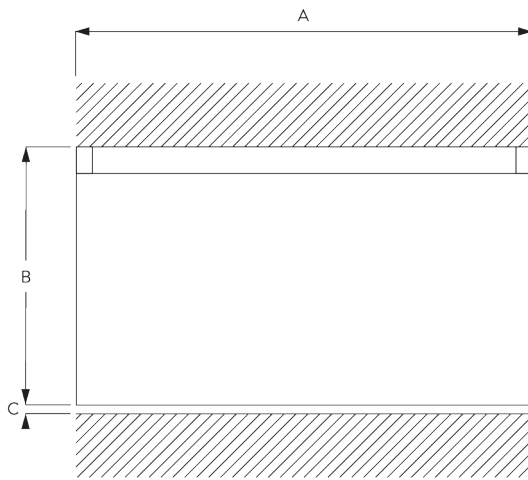


SG 1071

Profile

Radius:  
8 cm, 12 cm, 16 cm,  
>25 cm

## B. HOW TO MEASURE



A: System width  
B: System height  
C: Distance between floor and fabric

## C. SPECIFICATION TEXT

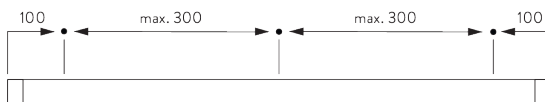
**Silent Gliss SG 1070 Hand Operated Curtain Track System.** Comprises aluminium profile SG 1071 supplied made to measure powder coated white, with gliders SG 3533 at 14/m and 2 end covers SG 1072 and 2 end stops SG 3016 per length. Top fixed with clamps SG 3060 at max. 300 mm centres.

# FITTING

## A. FITTING INFORMATION

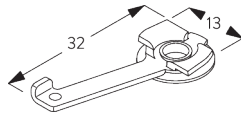
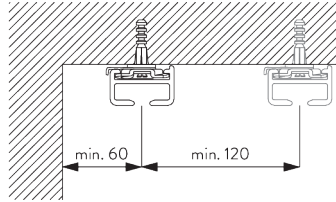
Fixing points

For detailed fitting information, visit the Silent Gliss website.



**B. CEILING FITTING**

**Clamp SG 3060**



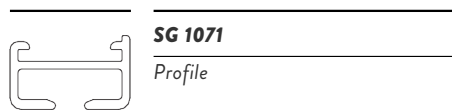
---

**SG 3060**

*Clamp*

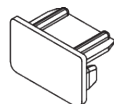
# PARTS

## A. STANDARD PARTS



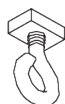
**SG 1071**

Profile



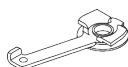
**SG 1072**

End cover



**SG 3016**

End stop



**SG 3060**

Clamp



**SG 3533**

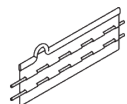
Glider

## B. OPTIONAL PARTS



**SG 3062**

Connection bridge



**SG 3068**

Frizzing tape



**SG 3070**

End stop



**SG 3071**

End stop



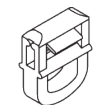
**SG 3511**

Glider



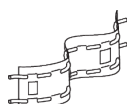
**SG 3534**

Glider 3533 on strip



**SG 3548**

Glider



**SG 3562**

Heading tape



**SG 3570**

Glider



**SG 3582**

Hook



**SG 3599**

Hook



**SG 10430**

Draw rod 50 cm



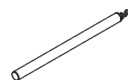
**SG 10431**

Draw rod 75 cm



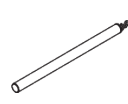
**SG 10432**

Draw rod 100 cm



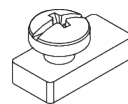
**SG 10433**

Draw rod 125 cm



**SG 10434**

Draw rod 150 cm

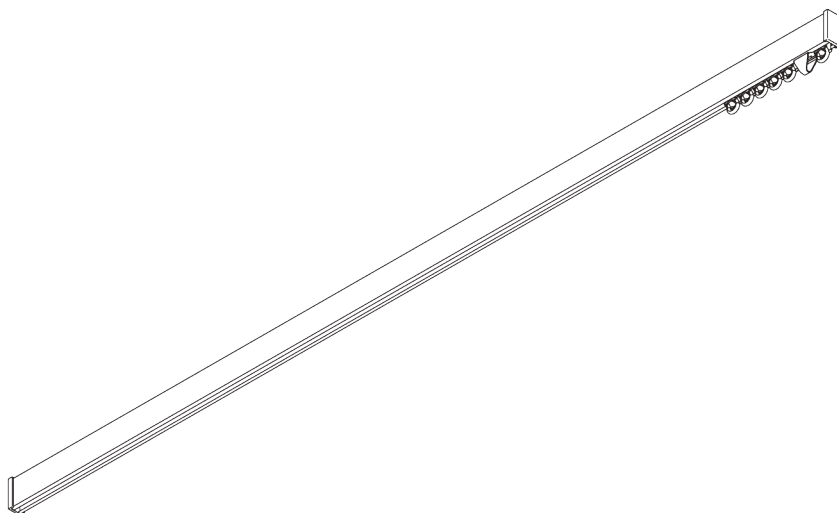
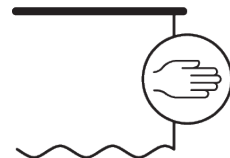


**SG 11335**

End stop

# SG 1080

---



## PRODUCT INFORMATION

- **Operation:** hand
- **Range:** S
- **Fitting:** ceiling, wall, suspended
- **Colours:** white RAL 9016, black RAL 9005 or anodised aluminum, special colours possible
- **Fabrics:** refer to Silent Gliss fabric collection

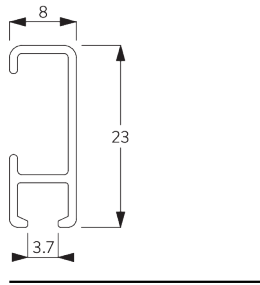
### **Features:**

- Bendable

# SYSTEM SPECIFICATIONS

## A. PROFILE

Profile and bending information

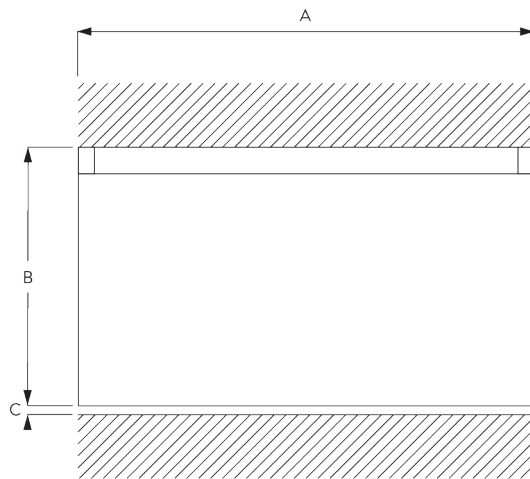


**SG 1080p**

Profile

Radius:  
✓ 6 cm, 10 cm, >30 cm

## B. HOW TO MEASURE



A: System width  
B: System height  
C: Distance between floor and fabric

## C. SPECIFICATION

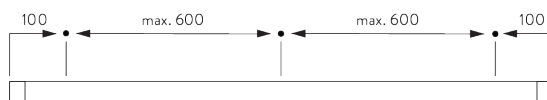
TEXT

**Silent Gliss SG 1080 Hand Drawn Curtain Track System.** Comprises aluminium profile SG 1080 supplied made to measure in silver anodised or powder coated white / matt white / anodic grey / antique bronze / charcoal / black with gliders SG 3533 at 16/m and 2 end covers SG 3667 / end stops SG 3016 per length. Top fixed with brackets SG 3603 at max. 600mm centres / wall fix with universal brackets SG 3630 / SG 3655 / SG 3660 / SG Smart Fix at max. 600mm centres.

# FITTING

## A. FITTING INFORMATION

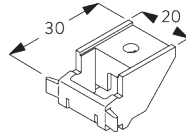
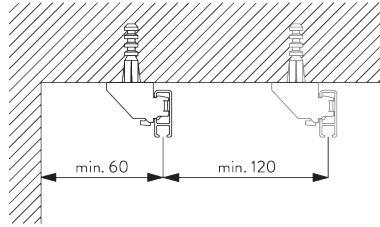
Fixing points



For detailed fitting information, visit the Silent Gliss website.

## B. CEILING FITTING

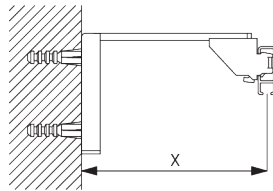
### Bracket SG 3603



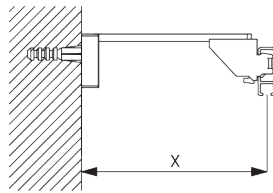
**SG 3603**  
Bracket

## C. WALL FITTING

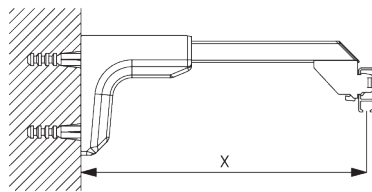
### Smart Fix



**Smart Fix SG 11200 - SG 11205 and bracket SG 3603:**  
Screw SG 10492 (M4x8) needed.

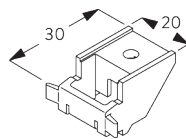


**Square Smart Fix SG 11210 - SG 11215 and bracket SG 3603:**  
Screw SG 10492 (M4x8) needed.



**Universal Smart Fix SG 11154 - SG 11156 and bracket SG 3603:**  
Screw SG 10277 (M4x12) needed.

Smart Fix	X mm
SG 11200 / SG 11210	70
SG 11201 / SG 11211	90
SG 11202 / SG 11212	110
SG 11203 / SG 11213	130
SG 11204 / SG 11214	160
SG 11205 / SG 11215	210
SG 11154	120-148
SG 11155	150-178
SG 11156	200-228



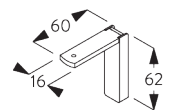
**SG 3603**  
Bracket



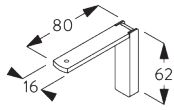
**SG 10492**  
Pan head screw M4x8



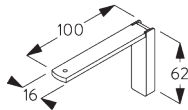
**SG 10277**  
Pan head screw M4x12



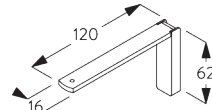
**SG 11200**  
Smart Fix 60 mm



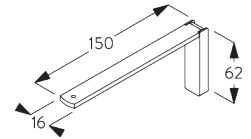
**SG 11201**  
Smart Fix 80 mm



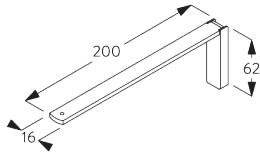
**SG 11202**  
Smart Fix 100 mm



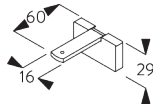
**SG 11203**  
Smart Fix 120 mm



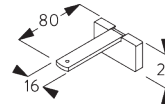
**SG 11204**  
Smart Fix 150 mm



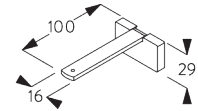
**SG 11205**  
Smart Fix 200 mm



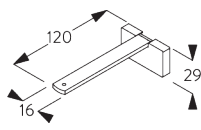
**SG 11210**  
Square Smart Fix 60 mm



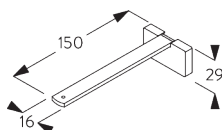
**SG 11211**  
Square Smart Fix 80 mm



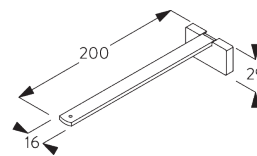
**SG 11212**  
Square Smart Fix 100 mm



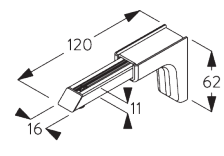
**SG 11213**  
Square Smart Fix 120 mm



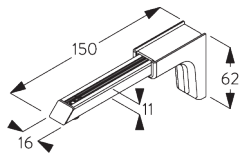
**SG 11214**  
Square Smart Fix 150 mm



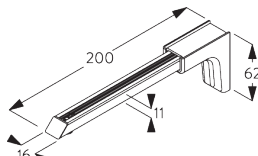
**SG 11215**  
Square Smart Fix 200 mm



**SG 11154**  
Universal Smart Fix 120 mm

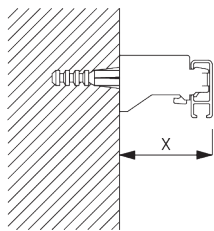


**SG 11155**  
Universal Smart Fix 150 mm

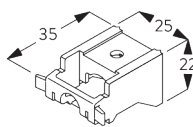


**SG 11156**  
Universal Smart Fix 200 mm

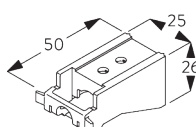
**Universal brackets  
SG 3630, SG 3655,  
SG 3660**



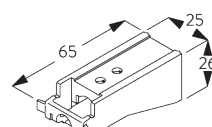
Bracket	X mm
SG 3630	33
SG 3655	48
SG 3660	63



**SG 3630**  
Bracket 35 mm



**SG 3655**  
Bracket 50 mm

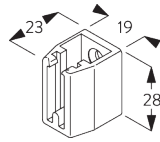
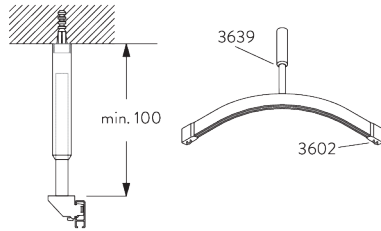


**SG 3660**  
Bracket 65 mm

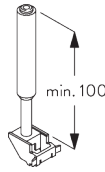


**D. SUSPENDED  
FITTING**

**Hanger SG 3639 /  
wall support SG 3602**





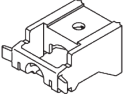
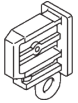
**SG 3602**  
*Wall support*




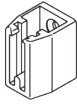

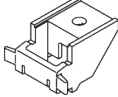

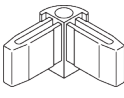

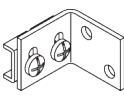

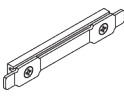

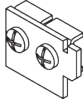

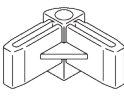


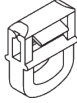

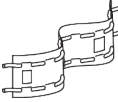
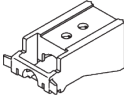

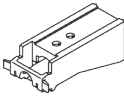



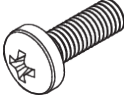

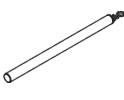
**SG 3639**  
*Hanger*

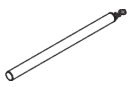
# PARTS

## A. STANDARD PARTS

	<b>SG 1080p</b> Profile
	<b>SG 3533</b> Glider
	<b>SG 3630</b> Bracket 35 mm
	<b>SG 3667</b> End cover

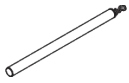
## B. OPTIONAL PARTS

	<b>SG 3016</b> End stop		<b>SG 3602</b> Wall support
	<b>SG 3020</b> Hook		<b>SG 3603</b> Bracket
	<b>SG 3032</b> Spring stop		<b>SG 3604</b> Corner connector
	<b>SG 3070</b> End stop		<b>SG 3618</b> Wall bracket
	<b>SG 3071</b> End stop		<b>SG 3620</b> Connection bridge
	<b>SG 3151</b> Spacer		<b>SG 3626</b> Return holder
	<b>SG 3511</b> Glider		<b>SG 3638</b> Corner connector
	<b>SG 3534</b> Glider 3533 on strip		<b>SG 3639</b> Hanger
	<b>SG 3548</b> Glider		<b>SG 3648</b> Eyelet
	<b>SG 3562</b> Heading tape		<b>SG 3655</b> Bracket 50 mm
	<b>SG 3570</b> Glider		<b>SG 3660</b> Bracket 65 mm
	<b>SG 3571</b> Hook		<b>SG 6146</b> Hook
	<b>SG 3582</b> Hook		<b>SG 10277</b> Pan head screw M4x12
	<b>SG 3599</b> Hook		<b>SG 10430</b> Draw rod 50 cm



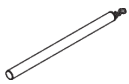
**SG 10431**

*Draw rod 75 cm*



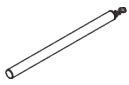
**SG 10432**

*Draw rod 100 cm*



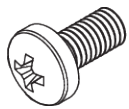
**SG 10433**

*Draw rod 125 cm*



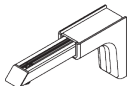
**SG 10434**

*Draw rod 150 cm*



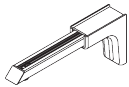
**SG 10492**

*Pan head screw M4x8*



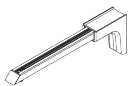
**SG 11154**

*Universal Smart Fix 120 mm*



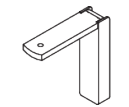
**SG 11155**

*Universal Smart Fix 150 mm*



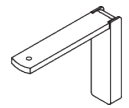
**SG 11156**

*Universal Smart Fix 200 mm*



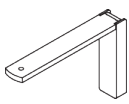
**SG 11200**

*Smart Fix 60 mm*



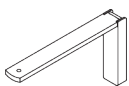
**SG 11201**

*Smart Fix 80 mm*



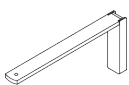
**SG 11202**

*Smart Fix 100 mm*



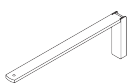
**SG 11203**

*Smart Fix 120 mm*



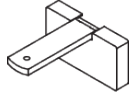
**SG 11204**

*Smart Fix 150 mm*



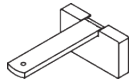
**SG 11205**

*Smart Fix 200 mm*



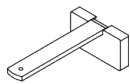
**SG 11210**

*Square Smart Fix 60 mm*



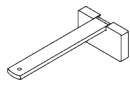
**SG 11211**

*Square Smart Fix 80 mm*



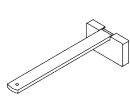
**SG 11212**

*Square Smart Fix 100 mm*



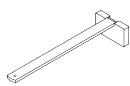
**SG 11213**

*Square Smart Fix 120 mm*



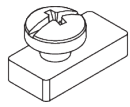
**SG 11214**

*Square Smart Fix 150 mm*



**SG 11215**

*Square Smart Fix 200 mm*



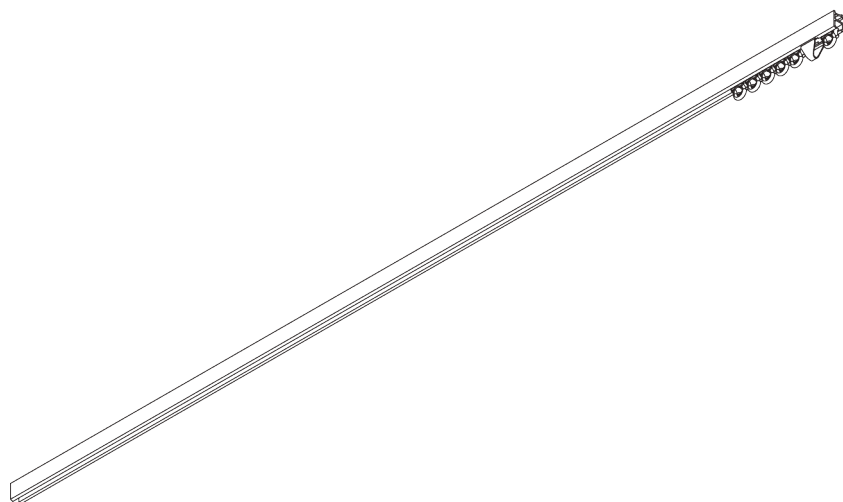
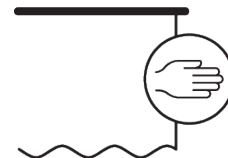
**SG 11335**

*End stop*



# SG 1090

---



## PRODUCT INFORMATION

- **Operation:** hand
- **Range:** S
- **Fitting:** ceiling, wall
- **Colours:** white RAL 9016; special colours or anodised aluminum possible
- **Fabrics:** refer to Silent Gliss fabric collection

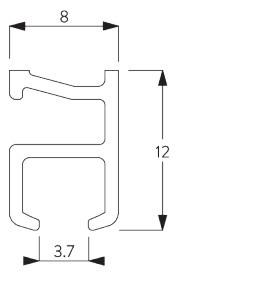
### **Features:**

- Bendable

# SYSTEM SPECIFICATIONS

## A. PROFILE

Profile and bending information

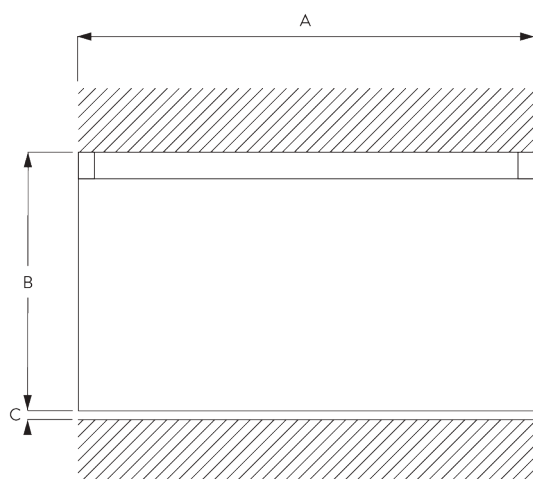


**SG 1090p**

Profile

Radius:  
✓ 6 cm, 10 cm

## B. HOW TO MEASURE



A: System width

B: System height

C: Distance between floor and fabric

## C. SPECIFICATION

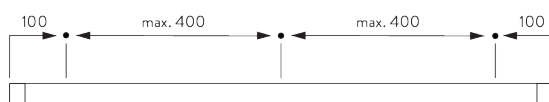
### TEXT

**Silent Gliss SG 1090 Hand Operated Curtain Track System.** Comprises aluminium profile SG 1090 supplied made to measure in silver anodised or powder coated white, with gliders SG 3533 at 14/m and 2 end stops SG 3016 per length. Face fixed with nylon brackets SG 3175 / SG Smart Fix / top fixed with nylon bracket SG 3176 at max. 400 mm centres.

# FITTING

## A. FITTING INFORMATION

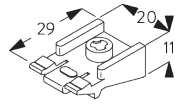
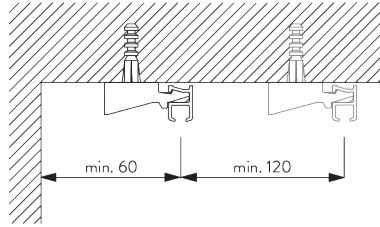
Fixing points



For detailed fitting information, visit the Silent Gliss website.

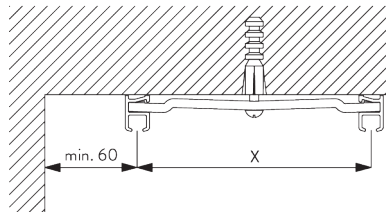
## B. CEILING FITTING

### Bracket SG 3176

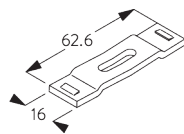


**SG 3176**  
Bracket

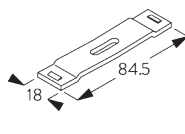
### Double ceiling bracket SG 3113 / SG 3115



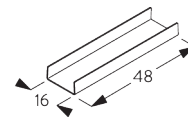
Bracket	X mm
SG 3113	57
SG 3115	80



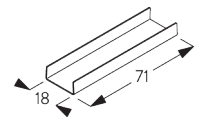
**SG 3113**  
Bracket



**SG 3115**  
Bracket



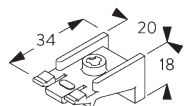
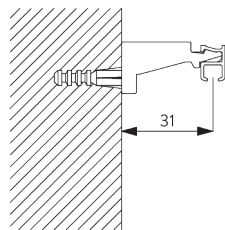
**SG 3255**  
Cover



**SG 3256**  
Cover

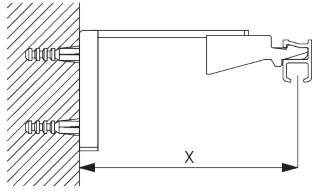
## C. WALL FITTING

### Bracket SG 3175



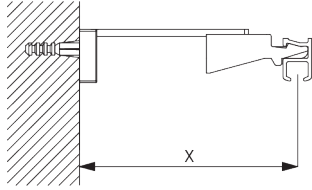
**SG 3175**  
Bracket

# Smart Fix

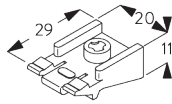


**Smart Fix SG 11200 - SG 11205 and bracket SG 3176:**  
Screw SG 10277 (M4x12) needed.

Smart Fix	X mm
SG 11200 / SG 11210	68
SG 11201 / SG 11211	88
SG 11202 / SG 11212	108
SG 11203 / SG 11213	128
SG 11204 / SG 11214	158
SG 11205 / SG 11215	208



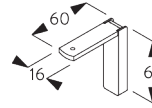
**Square Smart Fix SG 11210 - SG 11215 and bracket SG 3176:**  
Screw SG 10277 (M4x12) needed.



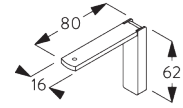
**SG 3176**  
Bracket



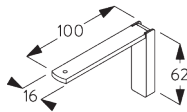
**SG 10277**  
Pan head screw M4x12



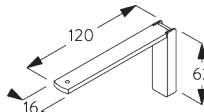
**SG 11200**  
Smart Fix 60 mm



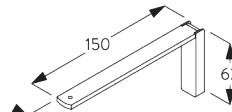
**SG 11201**  
Smart Fix 80 mm



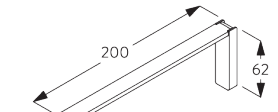
**SG 11202**  
Smart Fix 100 mm



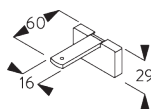
**SG 11203**  
Smart Fix 120 mm



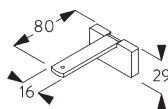
**SG 11204**  
Smart Fix 150 mm



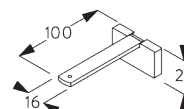
**SG 11205**  
Smart Fix 200 mm



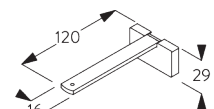
**SG 11210**  
Square Smart Fix 60 mm



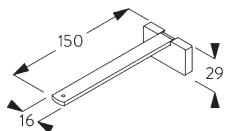
**SG 11211**  
Square Smart Fix 80 mm



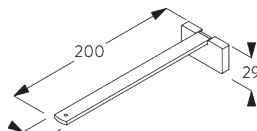
**SG 11212**  
Square Smart Fix 100 mm



**SG 11213**  
Square Smart Fix 120 mm



**SG 11214**  
Square Smart Fix 150 mm



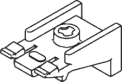



**SG 11215**  
Square Smart Fix 200 mm

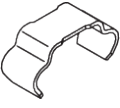

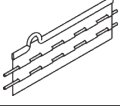


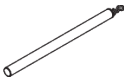
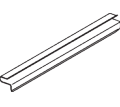
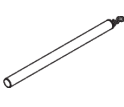
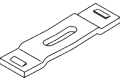
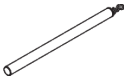

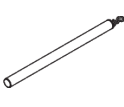
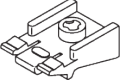
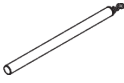

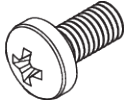

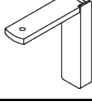
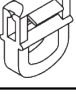
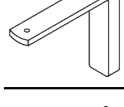
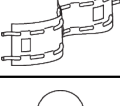
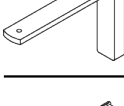

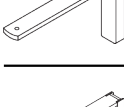

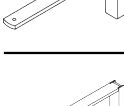
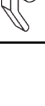
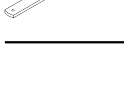


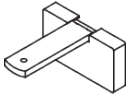
# PARTS

## A. STANDARD PARTS

	<b>SG 1090p</b> Profile
	<b>SG 3016</b> End stop
	<b>SG 3175</b> Bracket
	<b>SG 3533</b> Glider

## B. OPTIONAL PARTS

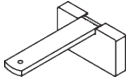
	<b>SG 3032</b> Spring stop		<b>SG 3599</b> Hook
	<b>SG 3068</b> Frizzing tape		<b>SG 10277</b> Pan head screw M4x12
	<b>SG 3071</b> End stop		<b>SG 10430</b> Draw rod 50 cm
	<b>SG 3096</b> Connection bridge		<b>SG 10431</b> Draw rod 75 cm
	<b>SG 3113</b> Bracket		<b>SG 10432</b> Draw rod 100 cm
	<b>SG 3151</b> Spacer		<b>SG 10433</b> Draw rod 125 cm
	<b>SG 3176</b> Bracket		<b>SG 10434</b> Draw rod 150 cm
	<b>SG 3511</b> Glider		<b>SG 10492</b> Pan head screw M4x8
	<b>SG 3534</b> Glider 3533 on strip		<b>SG 11200</b> Smart Fix 60 mm
	<b>SG 3548</b> Glider		<b>SG 11201</b> Smart Fix 80 mm
	<b>SG 3562</b> Heading tape		<b>SG 11202</b> Smart Fix 100 mm
	<b>SG 3570</b> Glider		<b>SG 11203</b> Smart Fix 120 mm
	<b>SG 3571</b> Hook		<b>SG 11204</b> Smart Fix 150 mm
	<b>SG 3582</b> Hook		<b>SG 11205</b> Smart Fix 200 mm



**SG 11210**

*Square Smart Fix 60 mm*

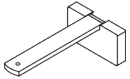
---



**SG 11211**

*Square Smart Fix 80 mm*

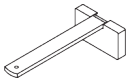
---



**SG 11212**

*Square Smart Fix 100 mm*

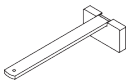
---



**SG 11213**

*Square Smart Fix 120 mm*

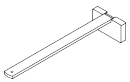
---



**SG 11214**

*Square Smart Fix 150 mm*

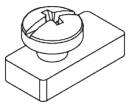
---



**SG 11215**

*Square Smart Fix 200 mm*

---



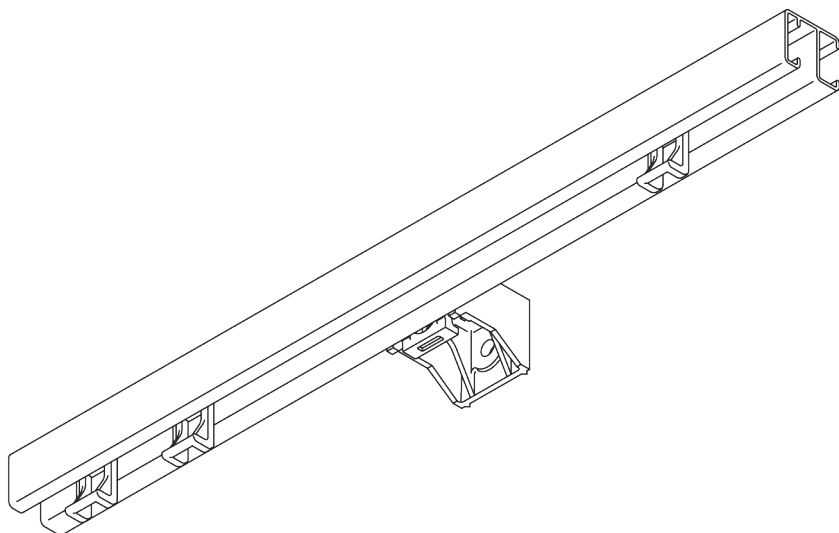
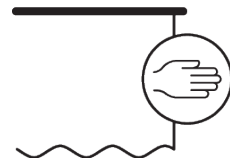
**SG 11335**

*End stop*

---

# SG 1280

---



## PRODUCT INFORMATION

- **Operation:** hand
- **Range:** M - L
- **Fitting:** ceiling, wall
- **Colours:** white RAL 9016; special colours or anodised aluminum possible
- **Fabrics:** refer to Silent Gliss fabric collection

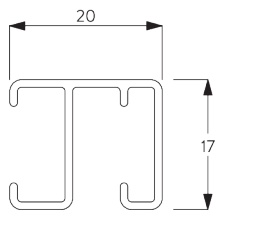
### **Features:**

- Bendable

# SYSTEM SPECIFICATIONS

## A. PROFILE

Profile and bending information

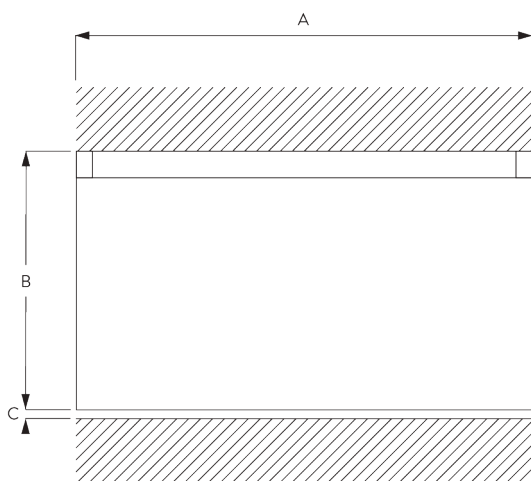


**SG 1280p**

Profile

Radius:  
✓ 15 cm, 20 cm

## B. HOW TO MEASURE



A: System width

B: System height

C: Distance between floor and fabric

## C. SPECIFICATION TEXT

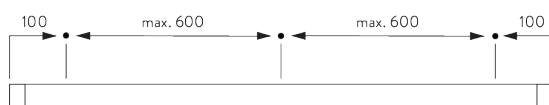
**Silent Gliss SG 1280 Hand Operated Curtain Track System.** Comprises aluminium profile SG 1280 supplied made to measure in powder coated white, with 2 end covers SG 3985. Face fixed with nylon bracket SG 3630 / SG 3655 / SG 3660 / SG Smart Fix / top fixed with nylon bracket 3603 at max. 600 mm centres.

# FITTING

## A. FITTING INFORMATION

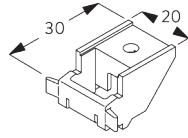
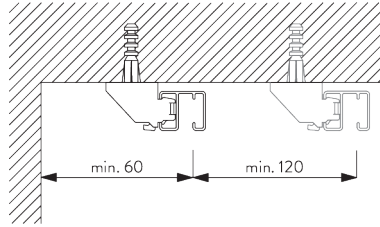
Fixing Points

For detailed fitting information, visit the [Silent Gliss website](#).



## B. CEILING FITTING

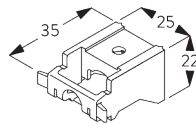
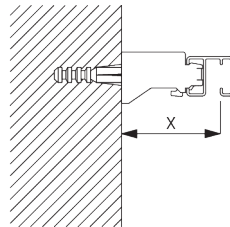
### Bracket SG 3603



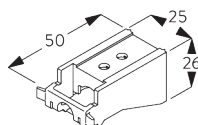
**SG 3603**  
Bracket

## C. WALL FITTING

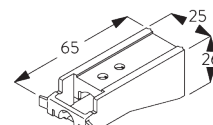
### Universal brackets SG 3630, SG 3655, SG 3660



**SG 3630**  
Bracket 35 mm



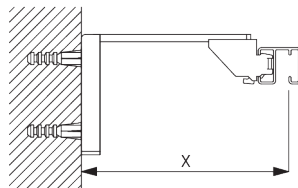
**SG 3655**  
Bracket 50 mm



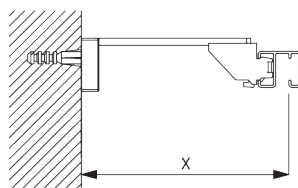
**SG 3660**  
Bracket 65 mm

Bracket	X mm
SG 3630	42
SG 3655	57
SG 3660	72

### Smart Fix

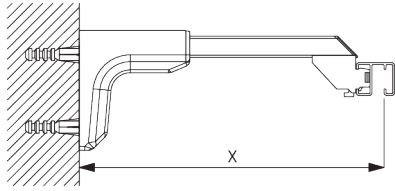


**Smart Fix SG 11200 - SG 11204 and bracket SG 3603:**  
Screw SG 10492 (M4x8) needed.



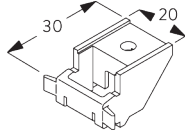
**Square Smart Fix SG 11210 - SG 11214 and  
bracket SG 3603:**  
Screw SG 10492 (M4x8) needed.

Smart Fix	X mm
SG 11200 / SG 11210	80
SG 11201 / SG 11211	100
SG 11202 / SG 11212	120
SG 11203 / SG 11213	140
SG 11204 / SG 11214	170
SG 11154	130-158
SG 11155	160-188
SG 11156	210-238



**Universal Smart Fix SG 11154 - SG 11156 and  
bracket SG 3603:**

Screw SG 10277 (M4x12) needed.



**SG 3603**

Bracket



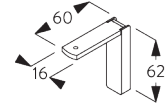
**SG 10277**

Pan head screw M4x12



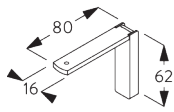
**SG 10492**

Pan head screw M4x8



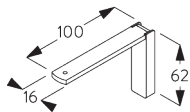
**SG 11200**

Smart Fix 60 mm



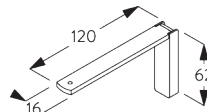
**SG 11201**

Smart Fix 80 mm



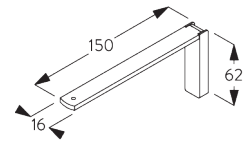
**SG 11202**

Smart Fix 100 mm



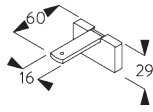
**SG 11203**

Smart Fix 120 mm



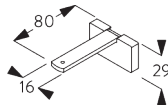
**SG 11204**

Smart Fix 150 mm



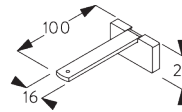
**SG 11210**

Square Smart Fix 60 mm



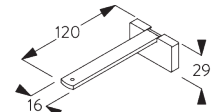
**SG 11211**

Square Smart Fix 80 mm



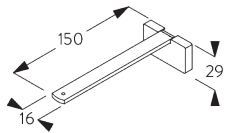
**SG 11212**

Square Smart Fix 100 mm



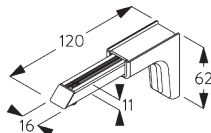
**SG 11213**

Square Smart Fix 120 mm



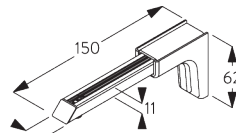
**SG 11214**

Square Smart Fix 150 mm



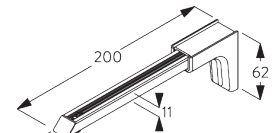
**SG 11154**

Universal Smart Fix 120 mm



**SG 11155**

Universal Smart Fix 150 mm

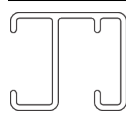


**SG 11156**

Universal Smart Fix 200 mm

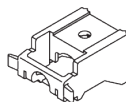
# PARTS

## A. STANDARD PARTS



**SG 1280p**

Profile



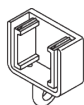
**SG 3630**

Bracket 35 mm



**SG 3911**

Roller



**SG 3985**

End cover

## B. OPTIONAL PARTS



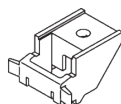
**SG 3582**

Hook



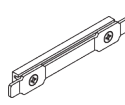
**SG 3599**

Hook



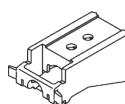
**SG 3603**

Bracket



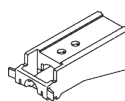
**SG 3620**

Connection bridge



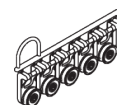
**SG 3655**

Bracket 50 mm



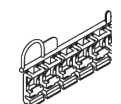
**SG 3660**

Bracket 65 mm



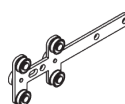
**SG 3922**

Roller 3911 on strip



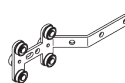
**SG 3933**

Glider 3933 on strip



**SG 3935**

Overlap arm



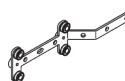
**SG 3936**

Overlap arm for draw rod



**SG 3942**

End stop



**SG 3975**

Overlap arm



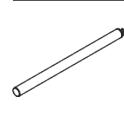
**SG 10277**

Pan head screw M4x12



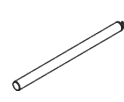
**SG 10430**

Draw rod 50 cm



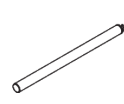
**SG 10431**

Draw rod 75 cm



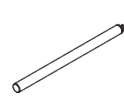
**SG 10432**

Draw rod 100 cm



**SG 10433**

Draw rod 125 cm



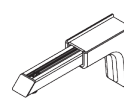
**SG 10434**

Draw rod 150 cm



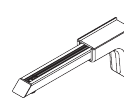
**SG 10492**

Pan head screw M4x8



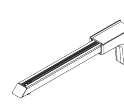
**SG 1154**

Universal Smart Fix 120 mm



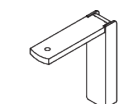
**SG 1155**

Universal Smart Fix 150 mm



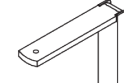
**SG 1156**

Universal Smart Fix 200 mm



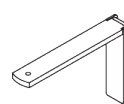
**SG 11200**

Smart Fix 60 mm



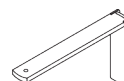
**SG 11201**

Smart Fix 80 mm



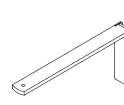
**SG 11202**

Smart Fix 100 mm



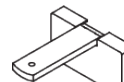
**SG 11203**

Smart Fix 120 mm



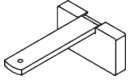
**SG 11204**

Smart Fix 150 mm



**SG 11210**

Square Smart Fix 60 mm



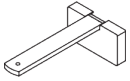
---

**SG 11211**

---

*Square Smart Fix 80 mm*

---



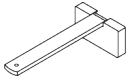
---

**SG 11212**

---

*Square Smart Fix 100 mm*

---



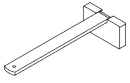
---

**SG 11213**

---

*Square Smart Fix 120 mm*

---



---

**SG 11214**

---

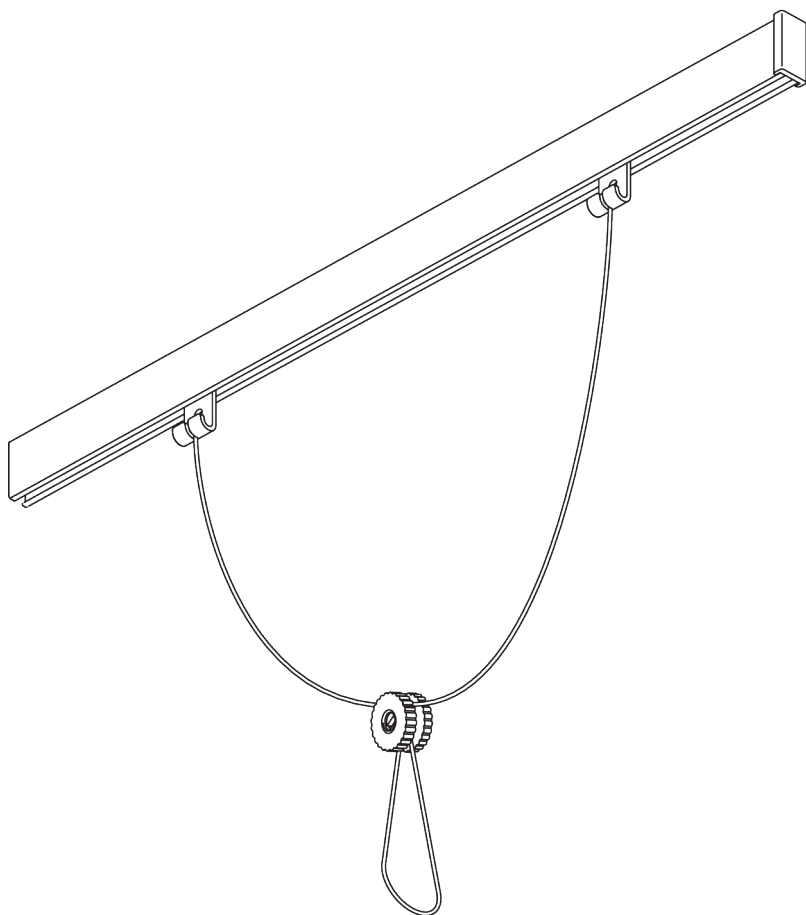
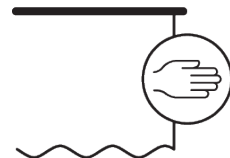
*Square Smart Fix 150 mm*

---



# SG 3600

---



## PRODUCT INFORMATION

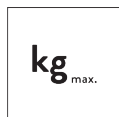
- **Operation:** hand
- **Fitting:** wall
- **Colours:** white RAL 9016; special colours or anodised aluminum possible

### **Features:**

- Picture hanging system
- Adjustable height

# SYSTEM SPECIFICATIONS

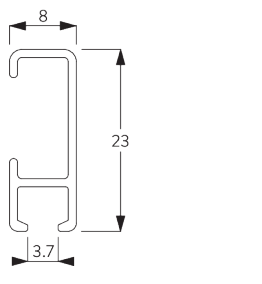
## A. SYSTEM DIMENSIONS



10 kg  
(Total picture weight)

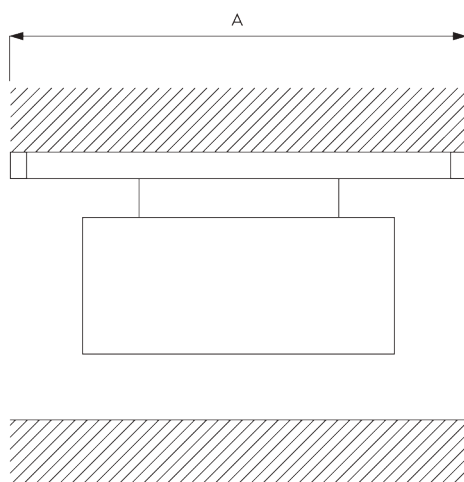
## B. PROFILE

Profile and bending information



SG 1080p  
Profile

## C. HOW TO MEASURE



A: System width

## D. SPECIFICATION TEXT

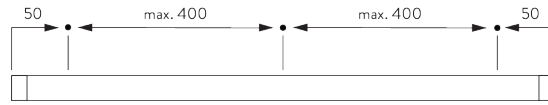
**Silent Gliss SG 3600 Picture Hanging System.** Comprises aluminium profile SG 1080 supplied made to measure in silver anodised or powder coated white / matt white / anodic grey / antique bronze / charcoal with hanging set SG 3665. Specially developed for the quick and precise hanging or moving of pictures. Maximum weight 10 kg per picture. Silent Gliss SG 3600 Picture Hanging System.

# FITTING

## A. FITTING INFORMATION

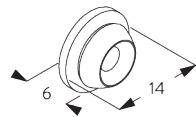
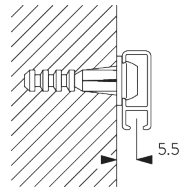
For detailed fitting information, visit the Silent Gliss website.

### Fixing Points



## B. WALL FITTING

### Bracket SG 3606

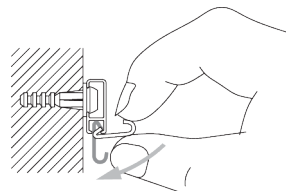


SG 3606

Clip

## C. HANGING UP OF PICTURE

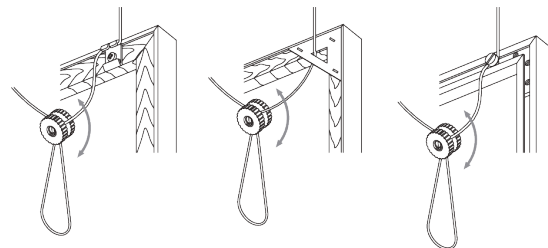
### Set SG 3665



Click-in hooks SG 3606.

Parts:

- SG 3634 Height adjuster
- SG 3637 Cord  $\varnothing$  1.5 mm
- SG 3663 Hook



Picture height is adjusted by turning plastic screw.

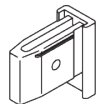
# PARTS

## A. STANDARD PARTS



**SG 1080p**

Profile



**SG 3605**

End cover



**SG 3606**

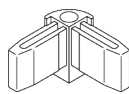
Clip



**SG 3665**

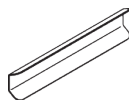
Picture hanging set

## B. OPTIONAL PARTS



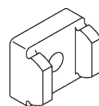
**SG 3604**

Corner connctor



**SG 3657**

Connection bridge

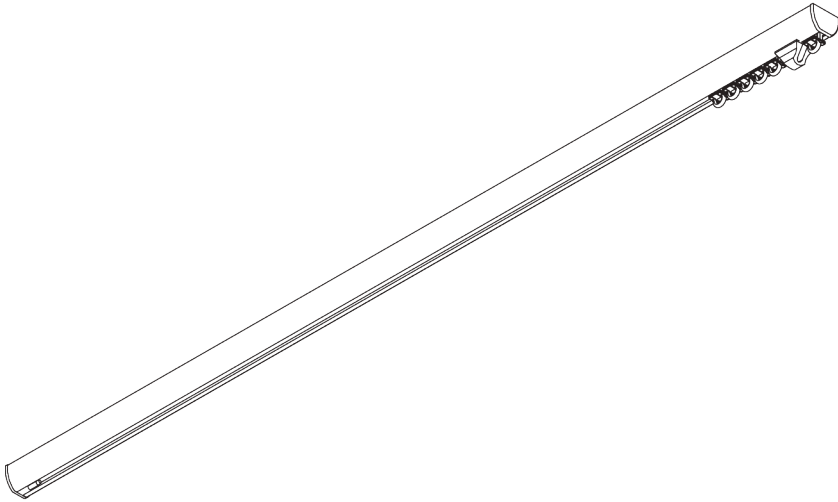
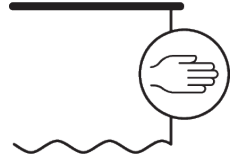


**SG 3666**

Clip

# SG 6010

---



## PRODUCT INFORMATION

- **Operation:** hand
- **Range:** S - M
- **Fitting:** ceiling, wall
- **Colours:** white RAL 9016, black RAL 9005 or anodised aluminum, special colours possible
- **Fabrics:** refer to Silent Gliss fabric collection

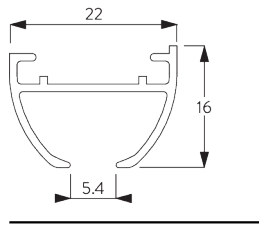
### **Features:**

- 2-component (2C) glider technology
- Wave (2C)
- Bendable

# SYSTEM SPECIFICATIONS

## A. PROFILE

Profile and bending information

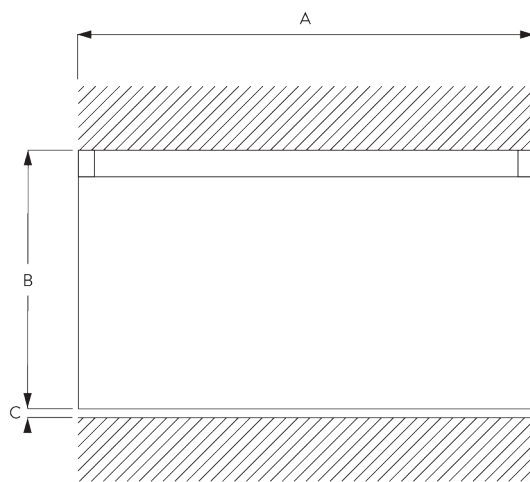


SG 6010p

Profile

Radius:  
✓ 15 cm, >25 cm

## B. HOW TO MEASURE



A: System width  
B: System height  
C: Distance between floor and fabric

## C. SPECIFICATION TEXT

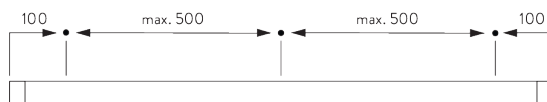
**Silent Gliss SG 6010 Hand Operated Curtain Track System.** Comprises aluminium profile SG 6010 supplied made to measure powder coated in white / black. Supplied as standard with 2C gliders SG 11300 at 14/m, 2 end covers SG 6018 and 2 end stops SG 6065. Top fixed with clamp SG 3825 at 500mm centres. Wall fix with SG Smart Fix brackets SG 11201-11205 and SG 3832 or SG 3825 / SG Square Smart Fix brackets SG 11210-11215 and SG 3832 or SG 3825 / Universal Smart Fix brackets SG 11154-11156 and SG 3832 or SG 3825. Silent Gliss Wave option is available using 60mm glider cord SG 11303 / 80mm glider cord SG 11302.

# FITTING

## A. FITTING INFORMATION

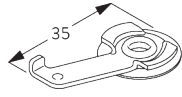
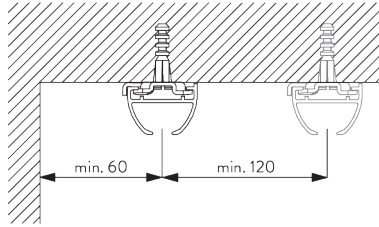
Fixing points

For detailed fitting information, visit the Silent Gliss website.



## B. CEILING FITTING

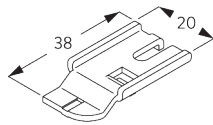
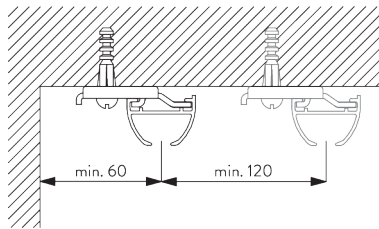
### Clamp SG 3825



**SG 3825**

Clamp

### Bracket SG 3832

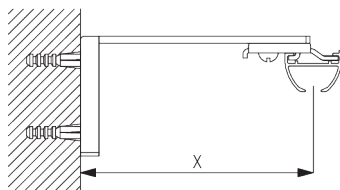


**SG 3832**

Bracket

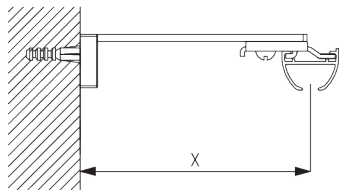
## C. WALL FITTING

### Smart Fix



**Smart Fix SG 11200 - SG 11205 and bracket SG 3832:**

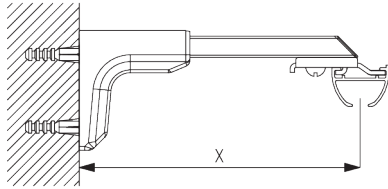
Screw SG 10492 (M4x8) needed.



**Square Smart Fix SG 11210 - SG 11215 and bracket SG 3832:**

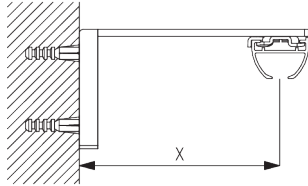
Screw SG 10492 (M4x8) needed.

Smart Fix	X mm (SG 3832)	X mm (SG 3825)
SG 11200 / SG 11210	70	52
SG 11201 / SG 11211	90	72
SG 11202 / SG 11212	110	92
SG 11203 / SG 11213	130	112
SG 11204 / SG 11214	160	142
SG 11205 / SG 11215	210	192
SG 11154	120-148	102-130
SG 11155	150-178	132-160
SG 11156	200-228	182-210



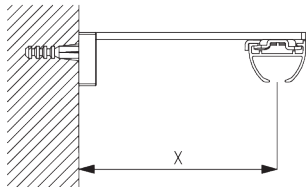
**Universal Smart Fix SG 11154 - SG 11156 and bracket SG 3832:**

Screw SG 10407 (M4x10) needed.



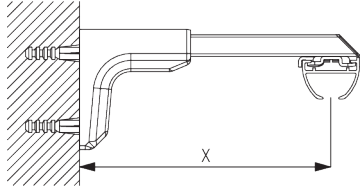
**Smart Fix SG 11200 - SG 11205 and clamp SG 3825:**

Screw SG 10074 (M4x8) needed.



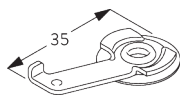
**Square Smart Fix SG 11210 - SG 11215 and clamp SG 3825:**

Screw SG 10074 (M4x8) needed.



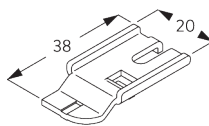
**Universal Smart Fix SG 11154 - SG 11156 and clamp SG 3825:**

Screw SG 11158 (M4x12) needed.



**SG 3825**

Clamp



**SG 3832**

Bracket



**SG 10407**

Pan head screw M4x10



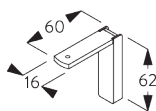
**SG 10492**

Pan head screw M4x8



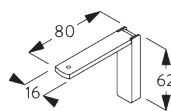
**SG 11158**

Countersunk head screw  
M4x12



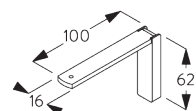
**SG 11200**

Smart Fix 60 mm



**SG 11201**

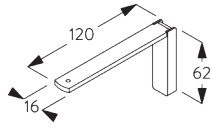
Smart Fix 80 mm



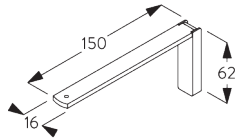
**SG 11202**

Smart Fix 100 mm

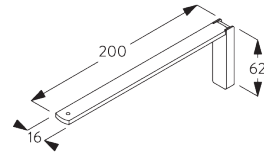




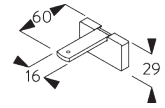
**SG 11203**  
Smart Fix 120 mm



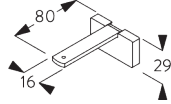
**SG 11204**  
Smart Fix 150 mm



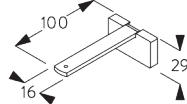
**SG 11205**  
Smart Fix 200 mm



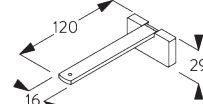
**SG 11210**  
Square Smart Fix 60 mm



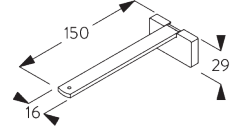
**SG 11211**  
Square Smart Fix 80 mm



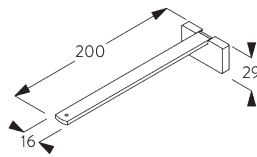
**SG 11212**  
Square Smart Fix 100 mm



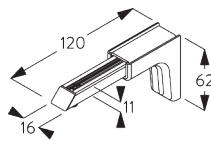
**SG 11213**  
Square Smart Fix 120 mm



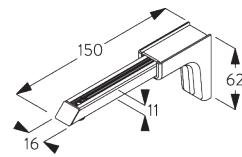
**SG 11214**  
Square Smart Fix 150 mm



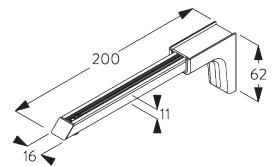
**SG 11215**  
Square Smart Fix 200 mm



**SG 11154**  
Universal Smart Fix 120 mm



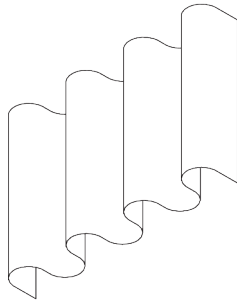
**SG 11155**  
Universal Smart Fix 150 mm



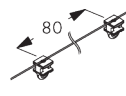
**SG 11156**  
Universal Smart Fix 200 mm

# SYSTEM OPTIONS

## A. WAVE



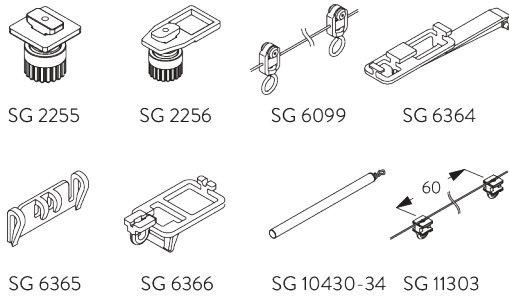
SG 11295



SG 11302

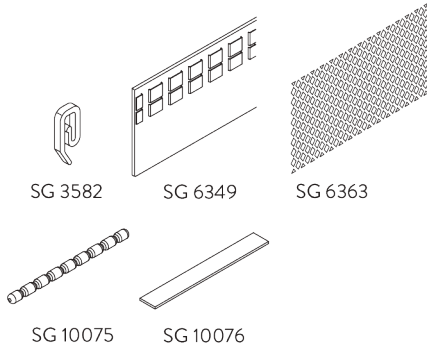
Standard components:

- SG 11295 End stop
- SG 11302 Wave 2C glider cord 80 mm



Optional components (min. radius: >25 cm):

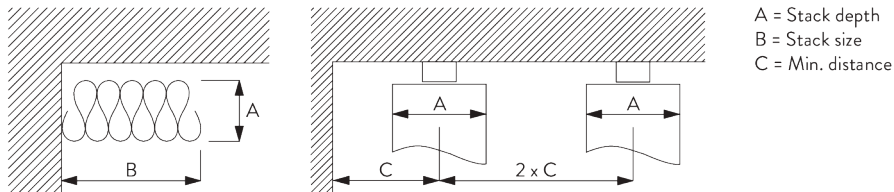
- SG 2255 Brake
- SG 2256 Brake
- SG 6099 Wave roller cord 80 mm
- SG 6364 Wave extension
- SG 6365 Wave hanger
- SG 6366 Wave carrier for draw rod
- SG 10430-34 Draw rod
- SG 11303 Wave 2C glider cord 60 mm



Curtain components:

- SG 3582 Hook
- SG 6349 Wave curtain tape
- SG 6363 Wave top hemming tape
- SG 10075 Lead weight 50 gr/m
- SG 10076 Fabric weight

Wave stack depth - 2C glider cord (standard components)




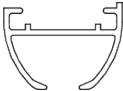
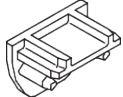


2C Glider cord SG 11302	Pockets between hooks	Approx. curtain fullness	Stack depth A	Stack size B*	Min distance C
80	6	~2.1	140	180 per metre of track	90
80	7	~2.3	160	180 per metre of track	100

2C Glider cord SG 11303	Pockets between hooks	Approx. curtain fullness	Stack depth A	Stack size B*	Min distance C
60	4	~2.1	100	230 per metre of track	70
60	5	~2.3	120	230 per metre of track	80

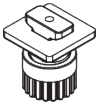
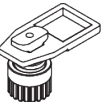

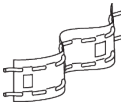



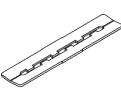
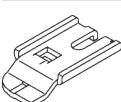


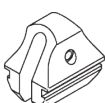

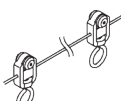
\*Stack size B when using optional extension arm SG 6364 increases by 95 mm per curtain stack!


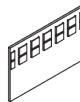

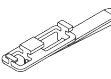
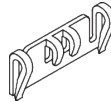
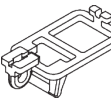

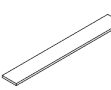
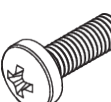

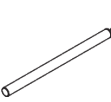
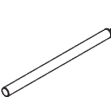
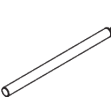
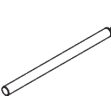
# PARTS

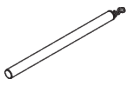
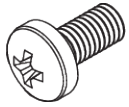
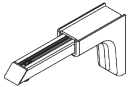
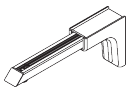
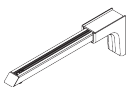
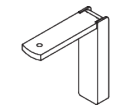
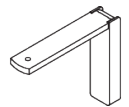
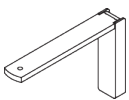
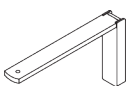
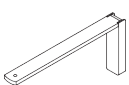
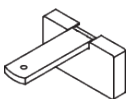
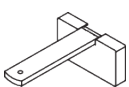
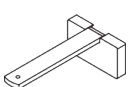
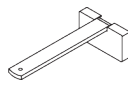
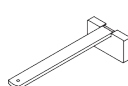
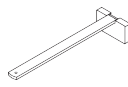
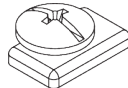
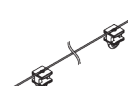
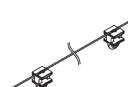
## A. STANDARD PARTS

	<b>SG 3825</b> Clamp
	<b>SG 6010p</b> Profile
	<b>SG 6018</b> End cover
	<b>SG 6065</b> End stop
	<b>SG 11300</b> 2C glider

## B. OPTIONAL PARTS

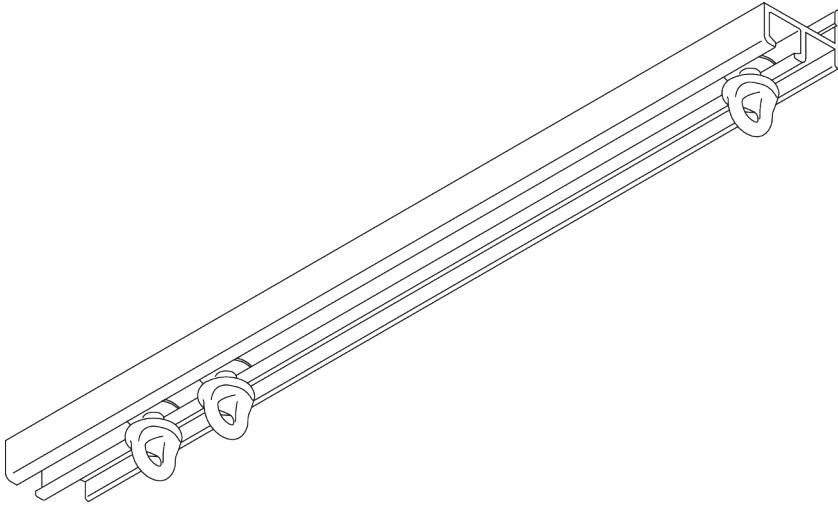
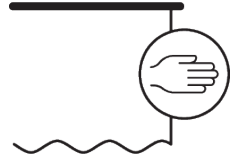
	<b>SG 2255</b> Brake
	<b>SG 2256</b> Brake
	<b>SG 3020</b> Hook
	<b>SG 3562</b> Heading tape
	<b>SG 3571</b> Hook
	<b>SG 3582</b> Hook
	<b>SG 3599</b> Hook
	<b>SG 3802</b> Connection bridge
	<b>SG 3832</b> Bracket
	<b>SG 6053</b> Spring stop
	<b>SG 6064</b> End stop
	<b>SG 6086</b> Spring stop
	<b>SG 6098</b> Roller
	<b>SG 6099</b> Wave roller cord 80 mm

	<b>SG 6283</b> Roller
	<b>SG 6349</b> Wave curtain tape
	<b>SG 6363</b> Wave top hemming tape
	<b>SG 6364</b> Wave extension
	<b>SG 6365</b> Wave hanger
	<b>SG 6366</b> Wave carrier for draw rod
	<b>SG 10075</b> Lead weight 50 g/m
	<b>SG 10076</b> Fabric weight
	<b>SG 10277</b> Pan head screw M4x12
	<b>SG 10407</b> Pan head screw M4x10
	<b>SG 10430</b> Draw rod 50 cm
	<b>SG 10431</b> Draw rod 75 cm
	<b>SG 10432</b> Draw rod 100 cm
	<b>SG 10433</b> Draw rod 125 cm

**SG 10434***Draw rod 150 cm***SG 10492***Pan head screw M4x8***SG 11154***Universal Smart Fix 120 mm***SG 11155***Universal Smart Fix 150 mm***SG 11156***Universal Smart Fix 200 mm***SG 11200***Smart Fix 60 mm***SG 11201***Smart Fix 80 mm***SG 11202***Smart Fix 100 mm***SG 11203***Smart Fix 120 mm***SG 11204***Smart Fix 150 mm***SG 11205***Smart Fix 200 mm***SG 11210***Square Smart Fix 60 mm***SG 11211***Square Smart Fix 80 mm***SG 11212***Square Smart Fix 100 mm***SG 11213***Square Smart Fix 120 mm***SG 11214***Square Smart Fix 150 mm***SG 11215***Square Smart Fix 200 mm***SG 11295***End stop***SG 11301***2C glider on strip***SG 11302***Wave 2C glider cord 80 mm***SG 11303***Wave 2C glider cord 60 mm*

# SG 6021

## SAFETY TRACK



### PRODUCT INFORMATION

- **Operation:** hand
- **Range:** S - M
- **Fitting:** wall
- **Colours:** white RAL 9016; special colours or anodised aluminum possible
- **Fabrics:** refer to Silent Gliss fabric collection

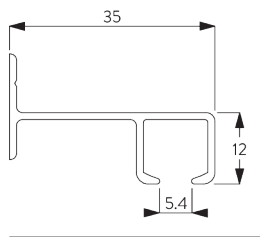
#### **Features:**

- Suitable for schools, hospitals, retirement homes, etc.
- Yellow gliders release from profile when weight limit is exceeded (4 - 6 kg)
- Blue glider releases at higher weight limit (8 - 10 kg) due to higher pulling force at curtain leading edges

# SYSTEM SPECIFICATIONS

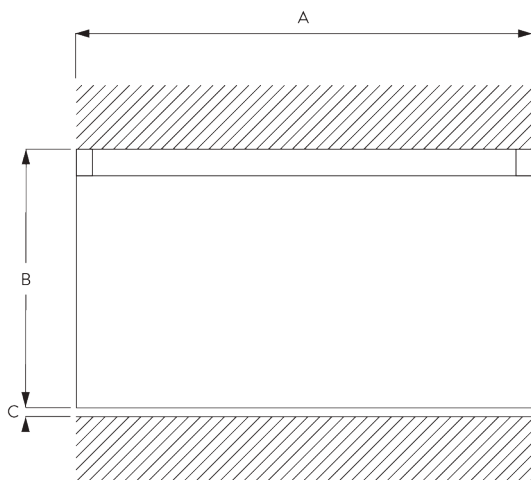
## A. PROFILE

### Profile information



SG 6021p  
Profile

## B. HOW TO MEASURE



A: System width  
B: System height  
C: Distance between floor and fabric

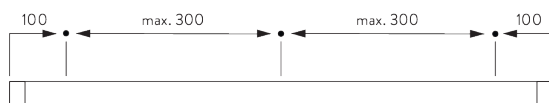
## C. SPECIFICATION TEXT

**Silent Gliss SG 6021 Hand Operated Curtain Track.** Comprises aluminium profile SG6021 supplied made to measure powder coated white with safety gliders SG 6148 (10/m) and SG 6149 (2/length) secured with end stops SG 6122 at either end. Wall fixed with self-drilling wood screws.

# FITTING

## A. FITTING INFORMATION

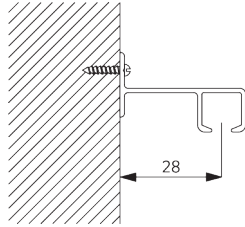
### Fixing points



For detailed fitting information, visit the [Silent Gliss website](#).

## **B. WALL FITTING**

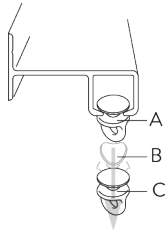
Direct fitting



# SYSTEM SAFETY KEY PARTS

## **A. SAFETY RELEASE**

### **FUNCTION**



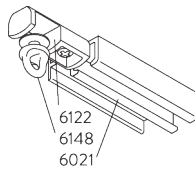
A: Gliders can easily be clicked into profile

B: Glider deforms under pressure

C: Release under following pull weights:

Glider SG 6148 yellow: releases between 4 - 6 kg

Glider SG 6149 blue: releases between 8 - 10 kg



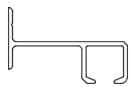
SG 6122: Endstop (with end glider SG 6148 in place)

SG 6021 / SG 6290 system can assist in the prevention of self harm in hospitals, schools and psychiatric situations. Please see specific pull out weights on individual gliders. Please also note that the longer the individual track and the more gliders used, the cumulative total pull-out weight when in a stacked position will increase and therefore support more weight.

**A risk assessment of the area should always be carried out.**

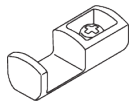
# PARTS

## A. STANDARD PARTS



**SG 6021p**

Profile



**SG 6122**

End stop



**SG 6148**

Safety Glider - yellow



**SG 6149**

Safety glider - blue

## B. OPTIONAL PARTS



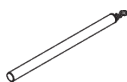
**SG 3582**

Hook



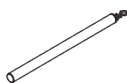
**SG 3599**

Hook



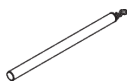
**SG 10430**

Draw rod 50 cm



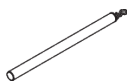
**SG 10431**

Draw rod 75 cm



**SG 10432**

Draw rod 100 cm



**SG 10433**

Draw rod 125 cm



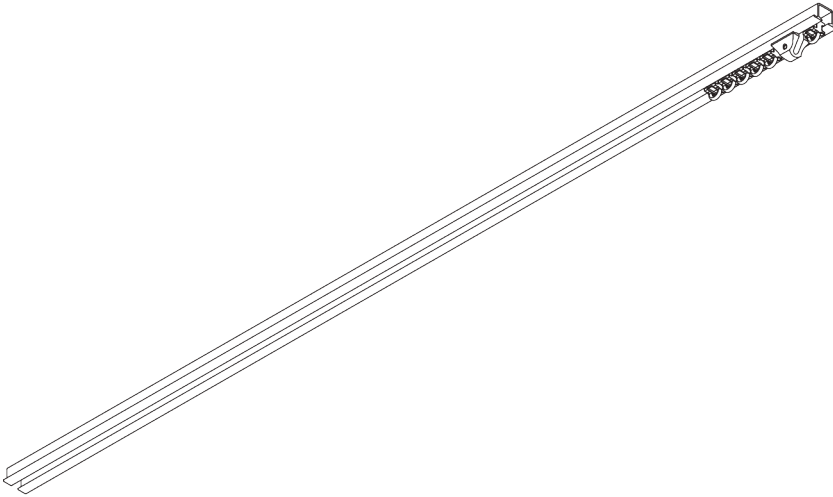
**SG 10434**

Draw rod 150 cm



# SG 6243

---



## PRODUCT INFORMATION

- **Operation:** hand
- **Range:** S - M
- **Fitting:** recess
- **Colours:** white RAL 9016; special colours or anodised aluminum possible
- **Fabrics:** refer to Silent Gliss fabric collection

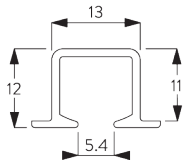
### **Features:**

- 2-component (2C) glider technology
- Wave (2C)
- Bendable
- Pre-drilled profile

# SYSTEM SPECIFICATIONS

## A. PROFILE

Profile and bending information

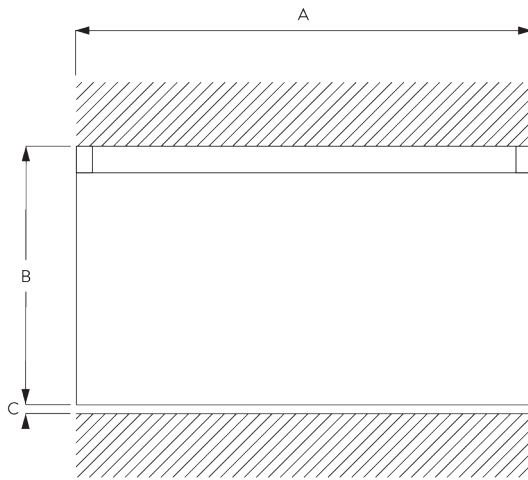


SG 6243p

Profile

Radius:  
20 cm, >25 cm

## B. HOW TO MEASURE



A: System width  
B: System height  
C: Distance between floor and fabric

## C. SPECIFICATION TEXT

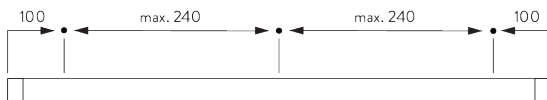
**Silent Gliss SG 6243 Hand Operated Curtain Track System.** Comprises aluminium profile SG 6243 supplied made to measure powder coated white with gliders SG 11300 at 14/m, 1 end stop SG 6065 and 1 spring stop SG 6053 per length. Top fixed with screw SG 0240 into timber through pre drilled holes every 200mm.

# FITTING

## A. FITTING INFORMATION

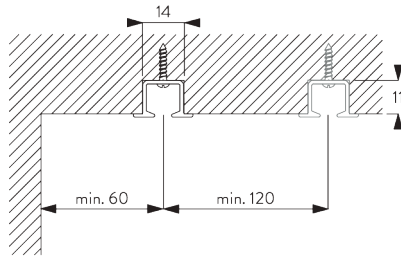
Fixing points

For detailed fitting information, visit the [Silent Gliss website](#).



## B. RECESS FITTING

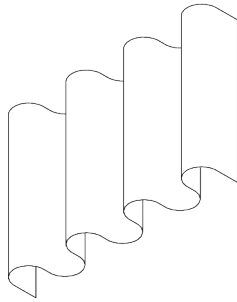
Direct into wood



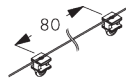
Recess channel: 11 x 14 mm

# SYSTEM OPTIONS

## A. WAVE



SG 11295



SG 11302

Standard components:

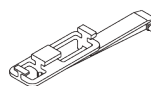
- SG 11295 End stop
- SG 11302 Wave 2C glider cord 80 mm



SG 2255



SG 2256



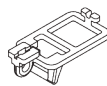
SG 6364



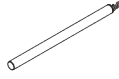
SG 6365

Optional components (min. radius >25 cm):

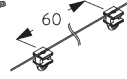
- SG 2255 Brake
- SG 2256 Brake
- SG 6364 Wave extension
- SG 6365 Wave hanger
- SG 6366 Wave carrier for draw rod
- SG 10430-34 Draw rod
- SG 11303 Wave 2C glider cord 60 mm



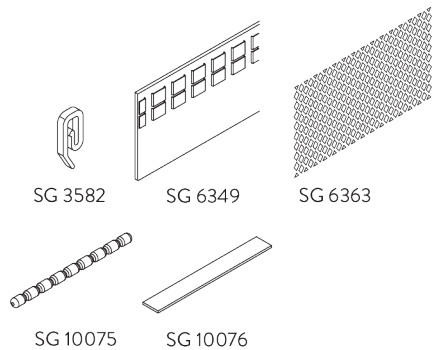
SG 6366



SG 10430-34



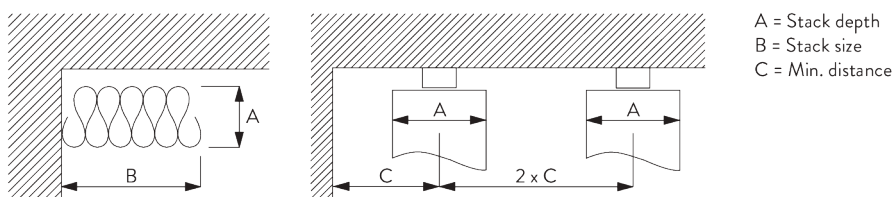
SG 11303



**Curtain components:**

- SG 3582 Hook
- SG 6349 Wave curtain tape
- SG 6363 Wave top hemming tape
- SG 10075 Lead weight 50 gr/m
- SG 10076 Fabric weight

**Wave stack depth - 2C glider cord (standard components)**



A = Stack depth  
 B = Stack size  
 C = Min. distance




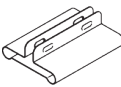

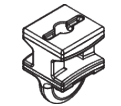
2C Glider cord SG 11302	Pockets between hooks	Approx. curtain fullness	Stack depth A	Stack size B*	Min distance C
80	6	~2.1	140	180 per metre of track	90
80	7	~2.3	160	180 per metre of track	100

2C Glider cord SG 11303	Pockets between hooks	Approx. curtain fullness	Stack depth A	Stack size B*	Min distance C
60	4	~2.1	100	230 per metre of track	70
60	5	~2.3	120	230 per metre of track	80

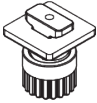
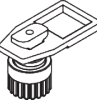
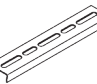










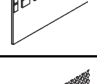
\*Stack size B when using optional extension arm SG 6364 increases by 95 mm per curtain!

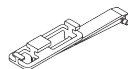
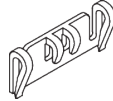
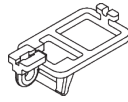
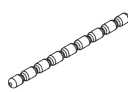

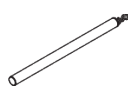
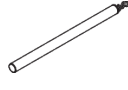
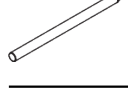
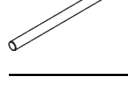



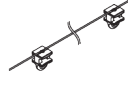
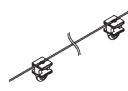
# PARTS

## A. STANDARD PARTS

	<b>SG 6053</b> Spring stop
	<b>SG 6065</b> End stop
	<b>SG 6243p</b> Profile
	<b>SG 7002</b> Profile protector
	<b>SG 10717</b> Countersunk head screw 2.2x19
	<b>SG 11300</b> 2C glider

## B. OPTIONAL PARTS

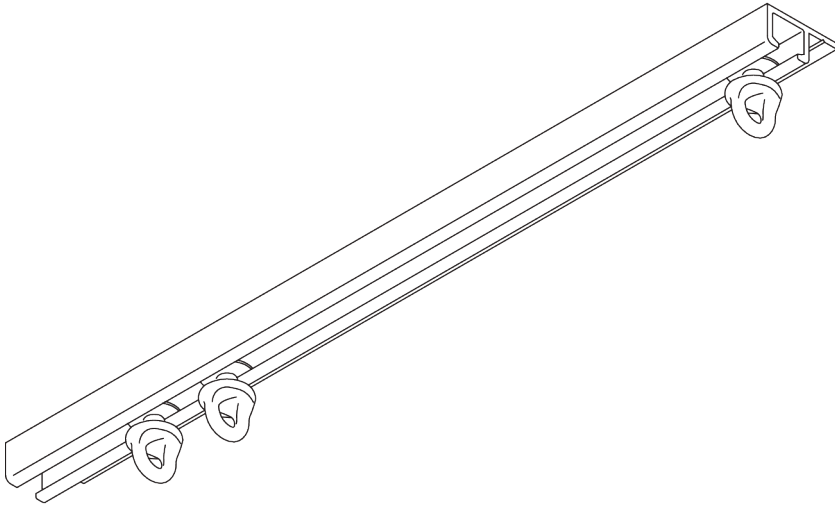
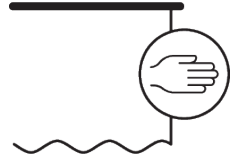
	<b>SG 2255</b> Brake
	<b>SG 2256</b> Brake
	<b>SG 3067</b> Connection bridge
	<b>SG 3562</b> Heading tape
	<b>SG 3571</b> Hook
	<b>SG 3582</b> Hook
	<b>SG 3599</b> Hook
	<b>SG 6064</b> End stop
	<b>SG 6094</b> Roller
	<b>SG 6098</b> Roller
	<b>SG 6099</b> Wave roller cord 80 mm
	<b>SG 6283</b> Roller
	<b>SG 6349</b> Wave curtain tape
	<b>SG 6363</b> Wave top hemming tape

	<b>SG 6364</b> Wave extension
	<b>SG 6365</b> Wave hanger
	<b>SG 6366</b> Wave carrier for draw rod
	<b>SG 10075</b> Lead weight 50 g/m
	<b>SG 10076</b> Fabric weight
	<b>SG 10430</b> Draw rod 50 cm
	<b>SG 10431</b> Draw rod 75 cm
	<b>SG 10432</b> Draw rod 100 cm
	<b>SG 10433</b> Draw rod 125 cm
	<b>SG 10434</b> Draw rod 150 cm
	<b>SG 11295</b> End stop
	<b>SG 11301</b> 2C glider on strip
	<b>SG 11302</b> Wave 2C glider cord 80 mm
	<b>SG 11303</b> Wave 2C glider cord 60 mm



# SG 6290

## SAFETY TRACK



### PRODUCT INFORMATION

- **Operation:** hand
- **Range:** S - M
- **Fitting:** ceiling
- **Colours:** white RAL 9016; special colours or anodised aluminum possible
- **Fabrics:** refer to Silent Gliss fabric collection

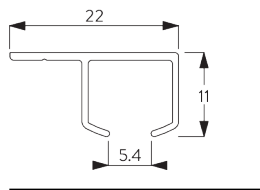
#### **Features:**

- Suitable for schools, hospitals, retirement homes, etc.
- Yellow gliders release from profile when weight limit is exceeded (4 - 6 kg)
- Blue glider releases at higher weight limit (8 - 10 kg) due to higher pulling force at curtain leading edges

# SYSTEM SPECIFICATIONS

## A. PROFILE

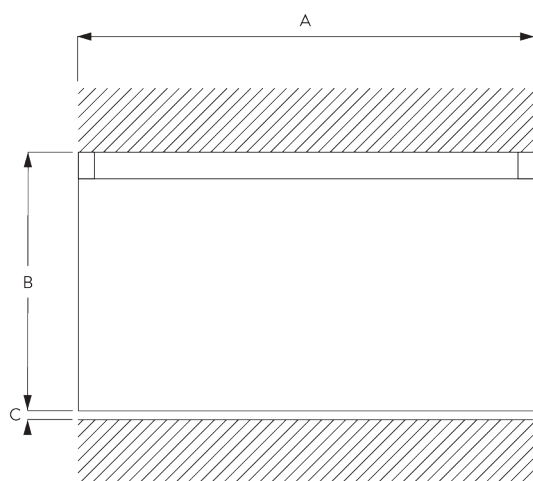
Profile information



SG 6290p

Profile

## B. HOW TO MEASURE



A: System width

B: System height

C: Distance between floor and fabric

## C. SPECIFICATION TEXT

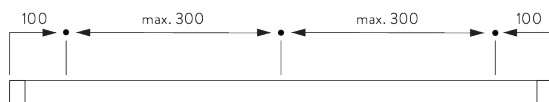
**Silent Gliss SG 6290 Hand Operated Curtain Track.** Comprises aluminium SG 6290 profile supplied made to measure powder coated white with safety gliders SG 6148 (10/m) and SG 6149 (2/length) secured with end covers SG 6122 at either end. Ceiling fixed with self-drilling wood screws.

# FITTING

## A. FITTING INFORMATION

Fixing points

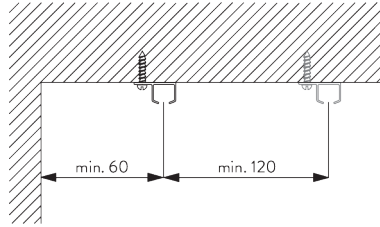
For detailed fitting information, visit the [Silent Gliss website](#).





## B. CEILING FITTING

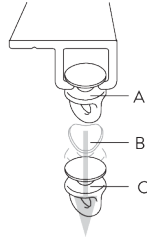
Direct fitting



# SYSTEM SAFETY KEY PARTS

## A. SAFETY RELEASE

### FUNCTION



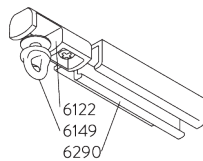
A: Gliders can easily be clicked into profile

B: Glider deforms under pressure

C: Release under following pull weights:

Glider SG 6148 yellow: releases between 4 - 6 kg

Glider SG 6149 blue: releases between 8 - 10 kg



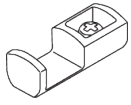
SG 6122: Endstop (with end glider SG 6148 in place)

SG 6021 / SG 6290 system can assist in the prevention of self harm in hospitals, schools and psychiatric situations. Please see specific pull out weights on individual gliders. Please also note that the longer the individual track and the more gliders used, the cumulative total pull-out weight when in a stacked position will increase and therefore support more weight.

**A risk assessment of the area should always be carried out.**

# PARTS

## A. STANDARD PARTS



**SG 6122**

End stop



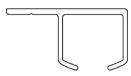
**SG 6148**

Safety Glider - yellow



**SG 6149**

Safety glider - blue



**SG 6290p**

Profile

## B. OPTIONAL PARTS



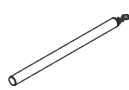
**SG 3582**

Hook



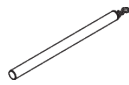
**SG 3599**

Hook



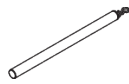
**SG 10430**

Draw rod 50 cm



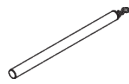
**SG 10431**

Draw rod 75 cm



**SG 10432**

Draw rod 100 cm



**SG 10433**

Draw rod 125 cm

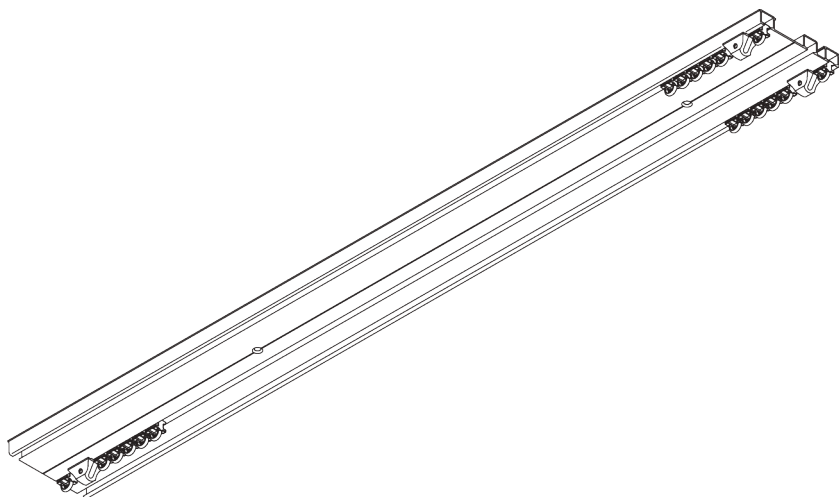
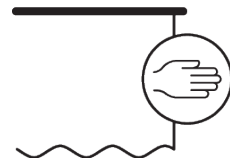


**SG 10434**

Draw rod 150 cm

# SG 6293

---



## PRODUCT INFORMATION

- **Operation:** hand
- **Range:** M - L
- **Fitting:** ceiling
- **Colours:** white RAL 9016; special colours or anodised aluminum possible
- **Fabrics:** refer to Silent Gliss fabric collection

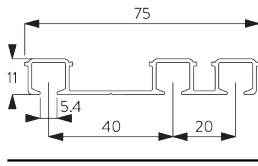
### **Features:**

- 2-component (2C) glider technology
- Pre-drilled profile

# SYSTEM SPECIFICATIONS

## A. PROFILE

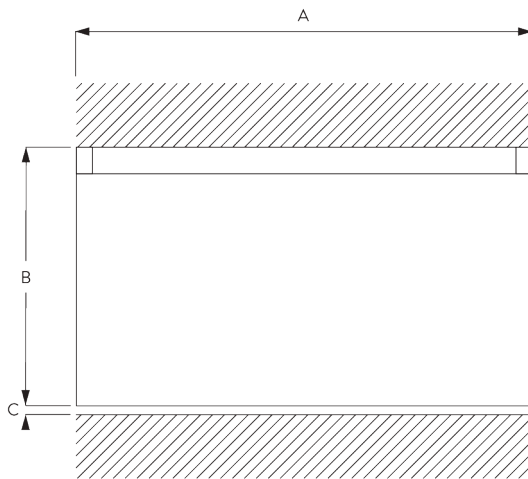
### Profile information



SG 6293p

Profile

## B. HOW TO MEASURE



A: System width

B: System height

C: Distance between floor and fabric

## C. SPECIFICATION

### TEXT

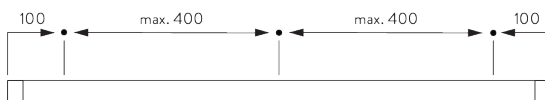
**Silent Gliss SG 6293 Hand Operated Curtain Track System.** Comprises aluminium profile SG 6293p supplied made to measure powder coated white, 2C gliders 11300 at 14/m and 2 end stops SG 6065 per length. Top fixed direct through track profile.

# FITTING

## A. FITTING INFORMATION

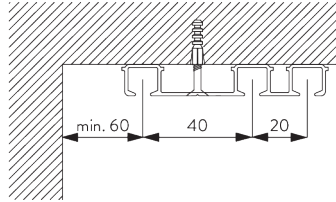
### Fixing points

For detailed fitting information, visit the [Silent Gliss website](#).



## **B. CEILING FITTING**

### **Direct fitting**



# PARTS

## A. STANDARD PARTS



**SG 6065**

End stop



**SG 6283**

Roller



**SG 6293p**

Profile



**SG 11300**

2C glider

## B. OPTIONAL PARTS



**SG 3582**

Hook



**SG 3599**

Hook



**SG 6053**

Spring stop



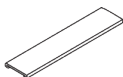
**SG 6094**

Roller



**SG 6098**

Roller



**SG 6269**

Connection bridge



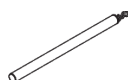
**SG 6283**

Roller



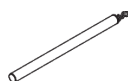
**SG 10430**

Draw rod 50 cm



**SG 10431**

Draw rod 75 cm



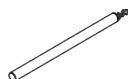
**SG 10432**

Draw rod 100 cm



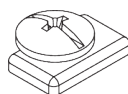
**SG 10433**

Draw rod 125 cm



**SG 10434**

Draw rod 150 cm



**SG 11295**

End stop

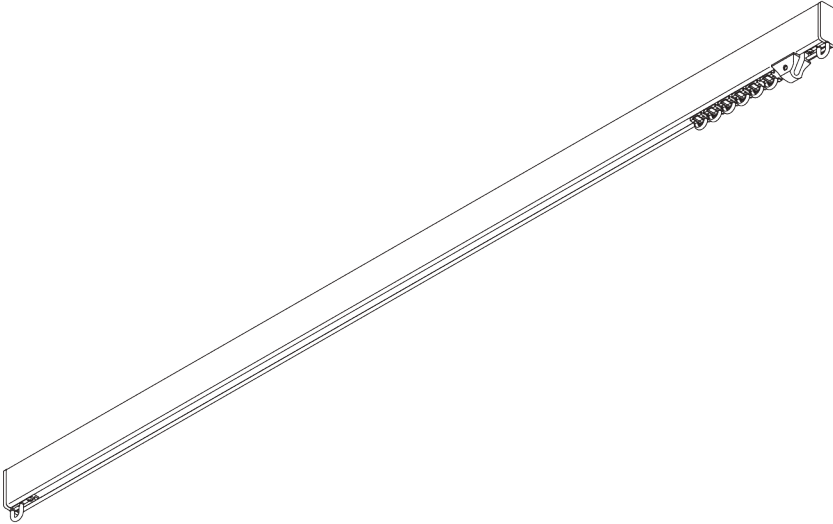


**SG 11301**

2C glider on strip

# SG 6380

---



## PRODUCT INFORMATION

- **Operation:** hand
- **Range:** M - L
- **Fitting:** ceiling, wall
- **Colours:** white RAL 9016; special colours or anodised aluminum possible
- **Fabrics:** refer to Silent Gliss fabric collection

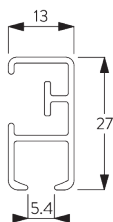
### **Features:**

- 2-component (2C) glider technology
- Wave (2C)
- Bendable

# SYSTEM SPECIFICATIONS

## A. PROFILE

Profile and bending information

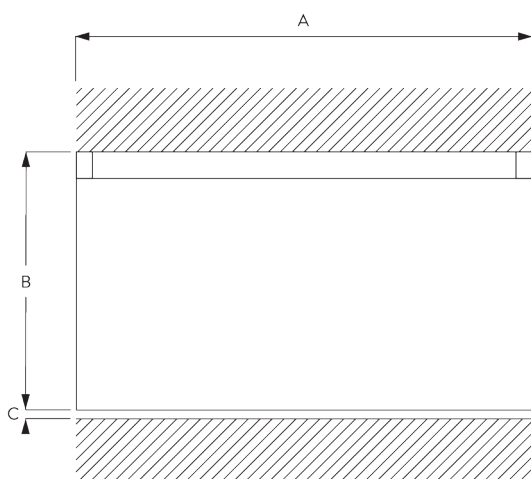


SG 6380p

Profile

Radius:  
10 cm, >25 cm

## B. HOW TO MEASURE



A: System width  
B: System height  
C: Distance between floor and fabric

## C. SPECIFICATION TEXT

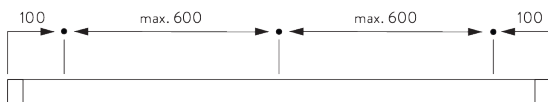
**Silent Gliss SG 6380 Hand Operated Curtain Track System.** Comprises aluminium profile SG 6380 supplied made to measure powder coated in white with 2C gliders SG 11300 at 14/m, 2 end covers SG 6381 and 2 end stops SG 6065 per length. Top fix with nylon bracket 3603. Wall fixed with brackets SG 3630 / SG 3655 / SG 3660 / SG Smart Fix brackets SG 11201-11205 / SG Square Smart Fix brackets SG 11210-11215 / SG Universal Smart Fix brackets SG 11154-11156. Silent Gliss Wave option is available using 60mm glider cord SG 11303 / 80mm glider cord SG 11302.

# FITTING

## A. FITTING INFORMATION

Fixing points

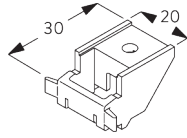
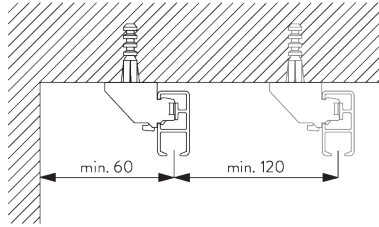
For detailed fitting information, visit the Silent Gliss website.





## B. CEILING FITTING

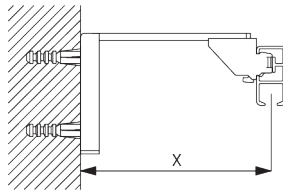
### Bracket SG 3603



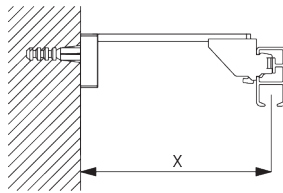
**SG 3603**  
Bracket

## C. WALL FITTING

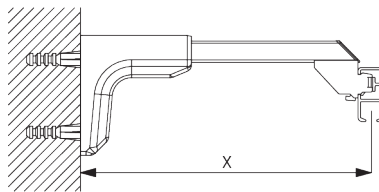
### Smart Fix



**Smart Fix SG 11200 - SG 11205 and bracket SG 3603:**  
Screw SG 10492 (M4x8) needed.

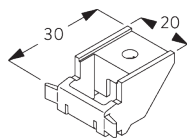


**Square Smart Fix SG 11210 - SG 11215 and bracket SG 3603:**  
Screw SG 10492 (M4x8) needed.



**Universal Smart Fix SG 11154 - SG 11156 and bracket SG 3603:**  
Screw SG 10277 (M4x12) needed.

Smart Fix	X mm
SG 11200 / SG 11210	72
SG 11201 / SG 11211	92
SG 11202 / SG 11212	112
SG 11203 / SG 11213	132
SG 11204 / SG 11214	162
SG 11205 / SG 11215	212
SG 11154	122-150
SG 11155	152-180
SG 11156	202-230



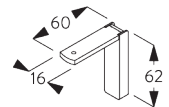
**SG 3603**  
Bracket



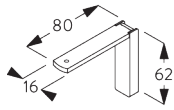
**SG 10277**  
Pan head screw M4x12



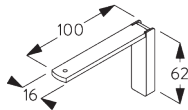
**SG 10492**  
Pan head screw M4x8



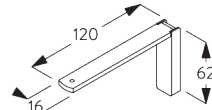
**SG 11200**  
Smart Fix 60 mm



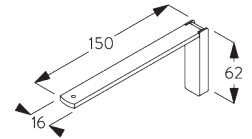
**SG 11201**  
Smart Fix 80 mm



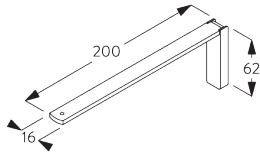
**SG 11202**  
Smart Fix 100 mm



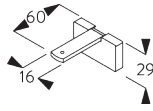
**SG 11203**  
Smart Fix 120 mm



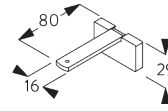
**SG 11204**  
Smart Fix 150 mm



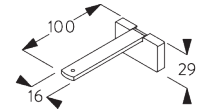
**SG 11205**  
Smart Fix 200 mm



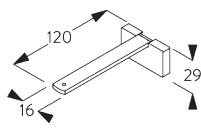
**SG 11210**  
Square Smart Fix 60 mm



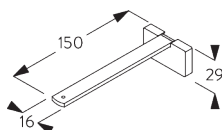
**SG 11211**  
Square Smart Fix 80 mm



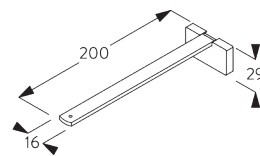
**SG 11212**  
Square Smart Fix 100 mm



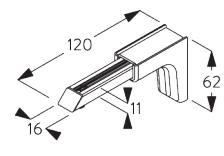
**SG 11213**  
Square Smart Fix 120 mm



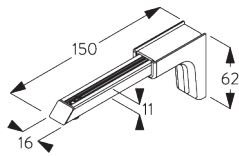
**SG 11214**  
Square Smart Fix 150 mm



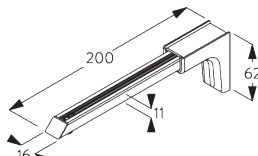
**SG 11215**  
Square Smart Fix 200 mm



**SG 11154**  
Universal Smart Fix 120 mm

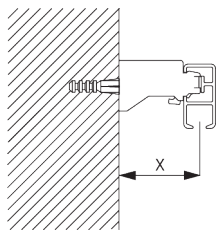


**SG 11155**  
Universal Smart Fix 150 mm

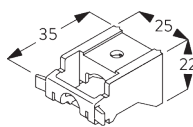


**SG 11156**  
Universal Smart Fix 200 mm

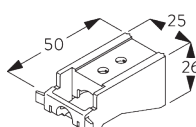
**Universal Brackets  
SG 3630, SG 3655,  
SG 3660**



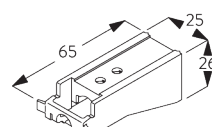
Bracket	X mm
SG 3630	35
SG 3655	50
SG 3660	65



**SG 3630**  
Bracket 35 mm



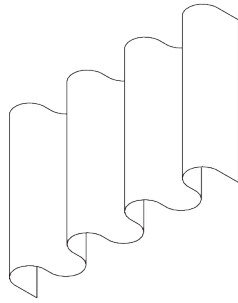
**SG 3655**  
Bracket 50 mm



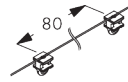
**SG 3660**  
Bracket 65 mm

# SYSTEM OPTIONS

## A. WAVE



SG 11295



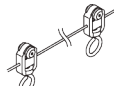
SG 11302



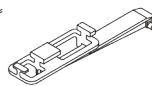
SG 2255



SG 2256



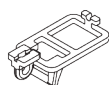
SG 6099



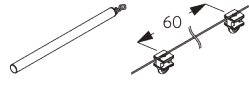
SG 6364



SG 6365



SG 6366



SG 10430-34 SG 11303

### Standard components:

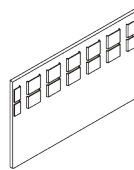
- SG 11295 End stop
- SG 11302 Wave 2C glider cord 80 mm

### Optional components (min. radius >25 cm):

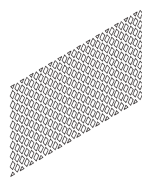
- SG 2255 Brake
- SG 2256 Brake
- SG 6099 Wave roller cord 80 mm
- SG 6364 Wave extension
- SG 6365 Wave hanger
- SG 6366 Wave carrier for draw rod
- SG 10430-34 Draw rod
- SG 11303 Wave 2C glider cord 60 mm



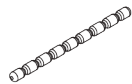
SG 3582



SG 6349



SG 6363



SG 10075

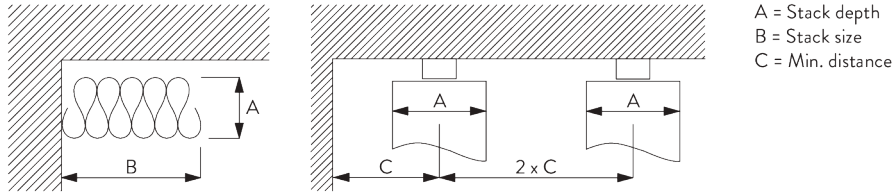


SG 10076

### Curtain components:

- SG 3582 Hook
- SG 6349 Wave curtain tape
- SG 6363 Wave top hemming tape
- SG 10075 Lead weight 50 gr/m
- SG 10076 Fabric weight

Wave stack depth - 2C glider cord (standard components)



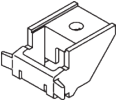

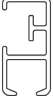
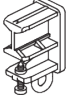

2C Glider cord SG 11302	Pockets between hooks	Approx. curtain fullness	Stack depth A	Stack size B*	Min distance C
80	6	~2.1	140	180 per metre of track	90
80	7	~2.3	160	180 per metre of track	100

2C Glider cord SG 11303	Pockets between hooks	Approx. curtain fullness	Stack depth A	Stack size B*	Min distance C
60	4	~2.1	100	230 per metre of track	70
60	5	~2.3	120	230 per metre of track	80

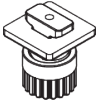
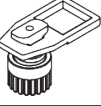


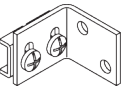
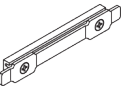
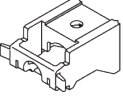
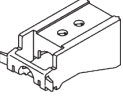
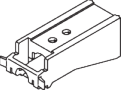




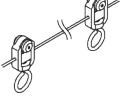
\*Stack size B when using optional extension arm SG 6364 increases by 95 mm per curtain stack!




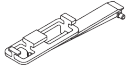
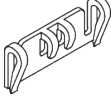
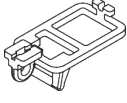

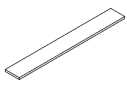
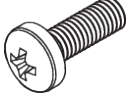
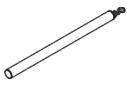
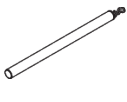
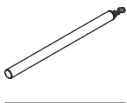
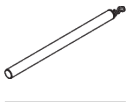
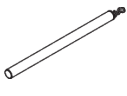
# PARTS

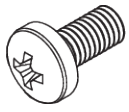
## A. STANDARD PARTS

	<b>SG 3603</b> Bracket
	<b>SG 6065</b> End stop
	<b>SG 6380p</b> Profile
	<b>SG 6381</b> End cover
	<b>SG 11300</b> 2C glider

## B. OPTIONAL PARTS

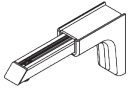
	<b>SG 2255</b> Brake
	<b>SG 2256</b> Brake
	<b>SG 3582</b> Hook
	<b>SG 3599</b> Hook
	<b>SG 3618</b> Wall bracket
	<b>SG 3620</b> Connection bridge
	<b>SG 3630</b> Bracket 35 mm
	<b>SG 3655</b> Bracket 50 mm
	<b>SG 3660</b> Bracket 65 mm
	<b>SG 6053</b> Spring stop
	<b>SG 6086</b> Spring stop
	<b>SG 6094</b> Roller
	<b>SG 6098</b> Roller
	<b>SG 6099</b> Wave roller cord 80 mm

	<b>SG 6283</b> Roller
	<b>SG 6349</b> Wave curtain tape
	<b>SG 6363</b> Wave top hemming tape
	<b>SG 6364</b> Wave extension
	<b>SG 6365</b> Wave hanger
	<b>SG 6366</b> Wave carrier for draw rod
	<b>SG 10075</b> Lead weight 50 g/m
	<b>SG 10076</b> Fabric weight
	<b>SG 10277</b> Pan head screw M4x12
	<b>SG 10430</b> Draw rod 50 cm
	<b>SG 10431</b> Draw rod 75 cm
	<b>SG 10432</b> Draw rod 100 cm
	<b>SG 10433</b> Draw rod 125 cm
	<b>SG 10434</b> Draw rod 150 cm



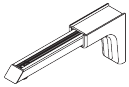
**SG 10492**

Pan head screw M4x8



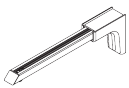
**SG 11154**

Universal Smart Fix 120 mm



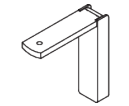
**SG 11155**

Universal Smart Fix 150 mm



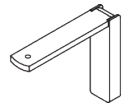
**SG 11156**

Universal Smart Fix 200 mm



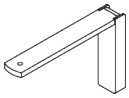
**SG 11200**

Smart Fix 60 mm



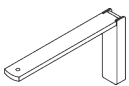
**SG 11201**

Smart Fix 80 mm



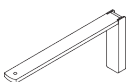
**SG 11202**

Smart Fix 100 mm



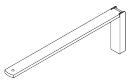
**SG 11203**

Smart Fix 120 mm



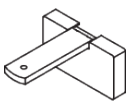
**SG 11204**

Smart Fix 150 mm



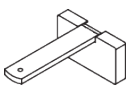
**SG 11205**

Smart Fix 200 mm



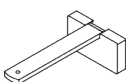
**SG 11210**

Square Smart Fix 60 mm



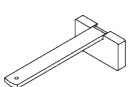
**SG 11211**

Square Smart Fix 80 mm



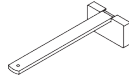
**SG 11212**

Square Smart Fix 100 mm



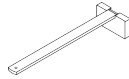
**SG 11213**

Square Smart Fix 120 mm



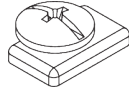
**SG 11214**

Square Smart Fix 150 mm



**SG 11215**

Square Smart Fix 200 mm



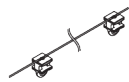
**SG 11295**

End stop



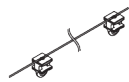
**SG 11301**

2C glider on strip



**SG 11302**

Wave 2C glider cord 80 mm

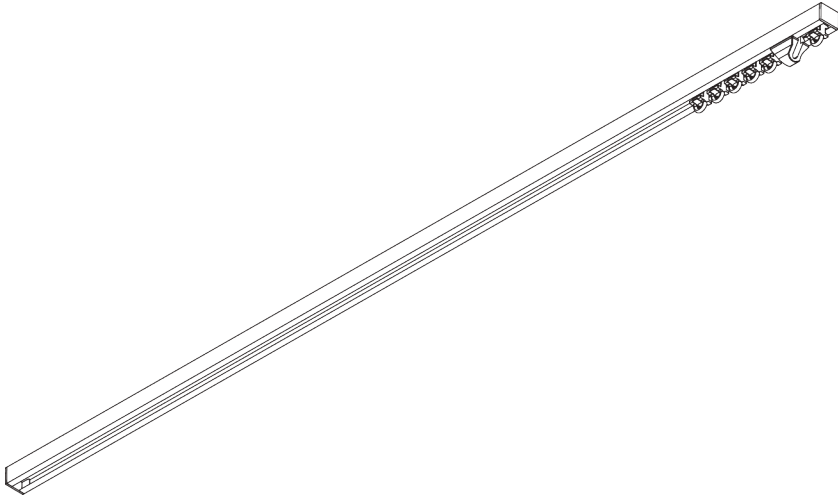


**SG 11303**

Wave 2C glider cord 60 mm

# SG 6465

---



## PRODUCT INFORMATION

- **Operation:** hand
- **Range:** S - M
- **Fitting:** ceiling, recess
- **Colours:** white RAL 9016, black RAL 9005 or anodised aluminum, special colours possible (recess profile only in white RAL 9016, black RAL 9005 or special color)
- **Fabrics:** refer to Silent Gliss fabric collection

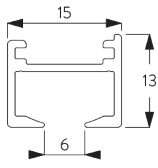
### **Features:**

- 2-component (2C) glider technology
- Wave (2C)
- Bendable
- Bendable recess profile

# SYSTEM SPECIFICATIONS


## A. PROFILE

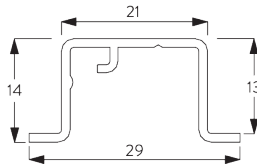
Profile and bending information



**SG 6466**

Profile

Radius:  
 8 cm, 12 cm, 16 cm,  
 >25 cm

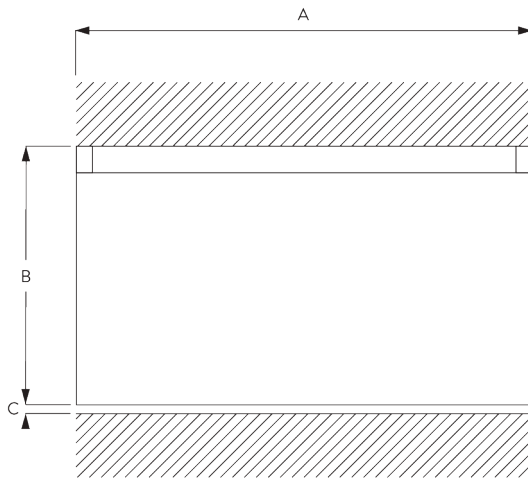


**SG 11231**

Recess profile

Radius:  
 >27 cm

## B. HOW TO MEASURE



A: System width  
 B: System height  
 C: Distance between floor and fabric

## C. SPECIFICATION

### TEXT

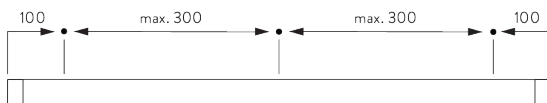
**Silent Gliss SG 6465 Hand Operated Curtain Track System.** Comprises aluminium profile SG 6466 supplied made to measure powder coated in white / black with 2C gliders SG 11300 at 14/m. Top fix with clamp SG 3060. Recess fix with optional recess profile SG 11231. Silent Gliss Wave option is available using 60mm glider cord SG 11303 / 80mm glider cord SG 11302.

# FITTING

## A. FITTING INFORMATION

Fixing points

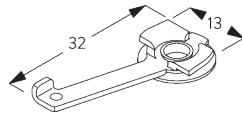
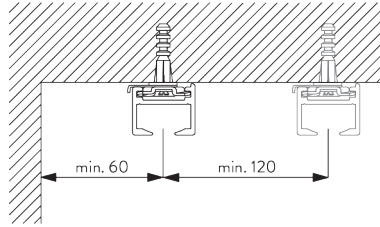
For detailed fitting information, visit the Silent Gliss website.





## B. CEILING FITTING

### Clamp SG 3060

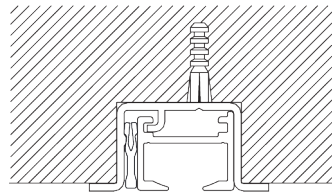


**SG 3060**

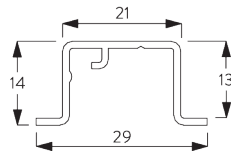
Clamp

## C. RECESS FITTING

### Recess profile SG 11231

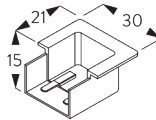


One wedge SG 11237 per fixing point.  
For detailed recess fitting, visit the Silent Gliss website.



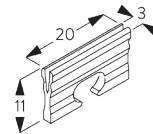
**SG 11231**

Recess profile



**SG 11239**

Recess Mask

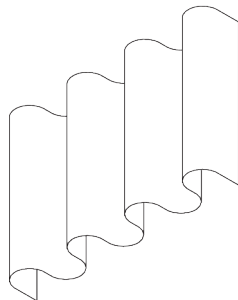


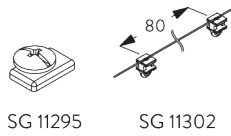
**SG 11237**

Wedge

# SYSTEM OPTIONS

## A. WAVE



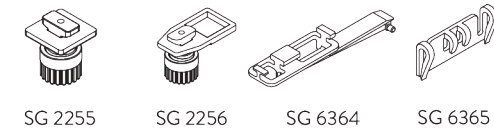


SG 11295

SG 11302

Standard components:

- SG 11295 End stop
- SG 11302 Wave 2C glider cord 80 mm



SG 2255

SG 2256

SG 6364

SG 6365

Optional components (min. radius >25 cm):

- SG 2255 Brake
- SG 2256 Brake
- SG 6364 Wave extension
- SG 6365 Wave hanger
- SG 6366 Wave carrier for draw rod
- SG 10430-34 Draw rod
- SG 11303 Wave 2C glider cord 60 mm



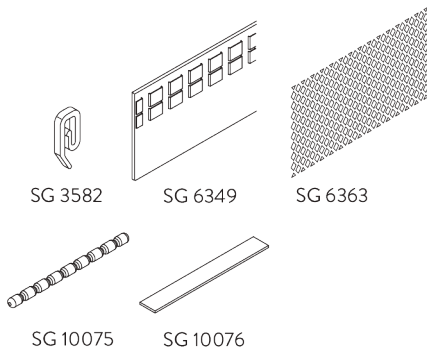
SG 6366

SG 10430-34

SG 11303

Curtain components:

- SG 3582 Hook
- SG 6349 Wave curtain tape
- SG 6363 Wave top hemming tape
- SG 10075 Lead weight 50 gr/m
- SG 10076 Fabric weight



SG 3582

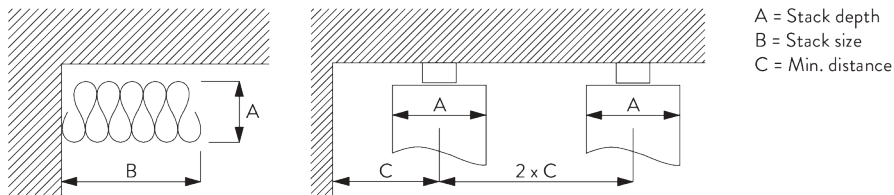
SG 6349

SG 6363

SG 10075

SG 10076

Wave stack depth - 2C glider cord (standard components)



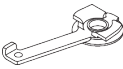

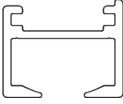
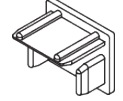
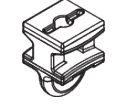
2C Glider cord SG 11302	Pockets between hooks	Approx. curtain fullness	Stack depth A	Stack size B*	Min distance C
80	6	~2.1	140	180 per metre of track	90
80	7	~2.3	160	180 per metre of track	100

2C Glider cord SG 11303	Pockets between hooks	Approx. curtain fullness	Stack depth A	Stack size B*	Min distance C
60	4	~2.1	100	230 per metre of track	70
60	5	~2.3	120	230 per metre of track	80

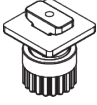
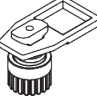

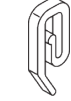

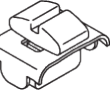


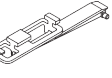
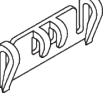
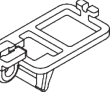



\*Stack size B when using optional extension arm SG 6364 increases by 95 mm per curtain stack!

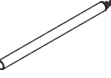
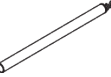



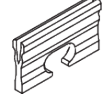
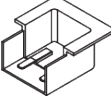
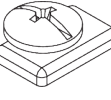

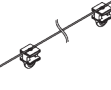
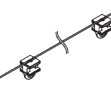
# PARTS

## A. STANDARD PARTS

	<b>SG 3060</b> Clamp
	<b>SG 6065</b> End stop
	<b>SG 6466</b> Profile
	<b>SG 6471</b> End cover
	<b>SG 11300</b> 2C glider

## B. OPTIONAL PARTS

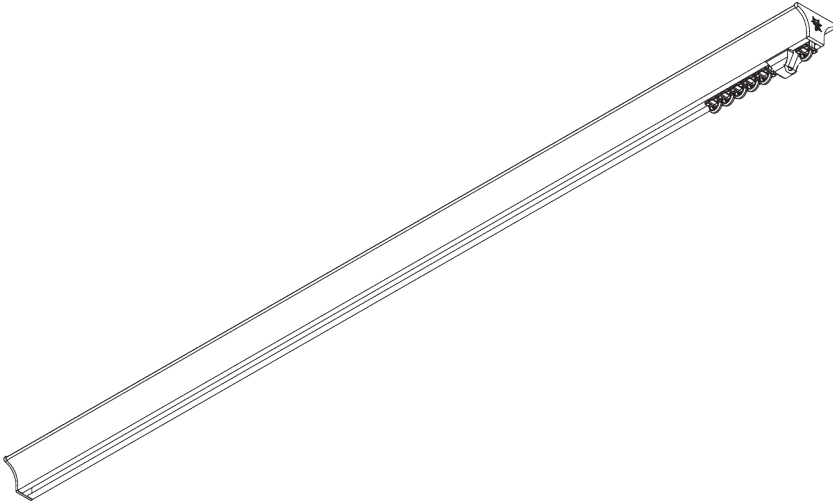
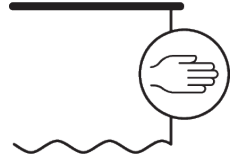
	<b>SG 2255</b> Brake
	<b>SG 2256</b> Brake
	<b>SG 3062</b> Connection bridge
	<b>SG 3582</b> Hook
	<b>SG 3599</b> Hook
	<b>SG 6064</b> End stop
	<b>SG 6349</b> Wave curtain tape
	<b>SG 6363</b> Wave top hemming tape
	<b>SG 6364</b> Wave extension
	<b>SG 6365</b> Wave hanger
	<b>SG 6366</b> Wave carrier for draw rod
	<b>SG 10075</b> Lead weight 50 g/m
	<b>SG 10076</b> Fabric weight
	<b>SG 10430</b> Draw rod 50 cm

	<b>SG 10431</b> Draw rod 75 cm
	<b>SG 10432</b> Draw rod 100 cm
	<b>SG 10433</b> Draw rod 125 cm
	<b>SG 10434</b> Draw rod 150 cm
	<b>SG 11231</b> Recess profile
	<b>SG 11237</b> Wedge
	<b>SG 11239</b> Recess Mask
	<b>SG 11295</b> End stop
	<b>SG 11301</b> 2C glider on strip
	<b>SG 11302</b> Wave 2C glider cord 80 mm
	<b>SG 11303</b> Wave 2C glider cord 60 mm



# SG 6820

---



## PRODUCT INFORMATION

- **Operation:** hand
- **Range:** S - M
- **Fitting:** ceiling
- **Colours:** white RAL 9016; special colours or anodised aluminum possible
- **Fabrics:** refer to Silent Gliss fabric collection

### **Features:**

- 2-component (2C) glider technology
- Wave (2C)
- Symmetrical funnel design
- Bendable

# SYSTEM SPECIFICATIONS

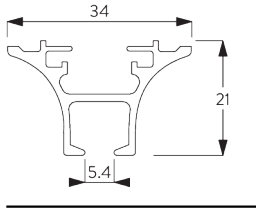
## A. SYSTEM DIMENSIONS



10 kg

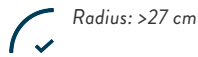
## B. PROFILE

Profile and bending information



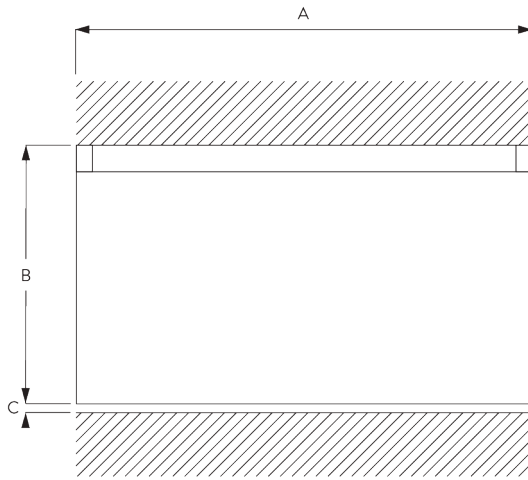
SG 6821

Profile Funnel



Radius: >27 cm

## C. HOW TO MEASURE



A: System width

B: System height

C: Distance between floor and fabric

## D. SPECIFICATION TEXT

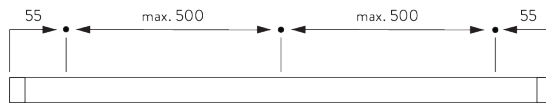
**Silent Gliss SG 6820 Hand Operated Curtain Track System.** Comprises aluminium profile SG 6821 made to measure powder coated white, with gliders SG 11300 at 14/m and 2 end covers SG 6823 and 2 end stops SG 6065 per length. Top fixed with clip brackets SG 11236 at 500mm centres. Silent Gliss Wave option is available using 60mm glider cord 11303 / 80mm glider cord 11302.

# FITTING

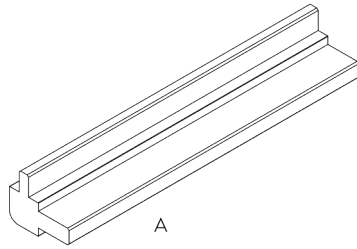
## A. FITTING INFORMATION

For detailed fitting information, visit the *Silent Gliss* website.

### Fixing points



### Fitting Tool

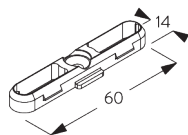
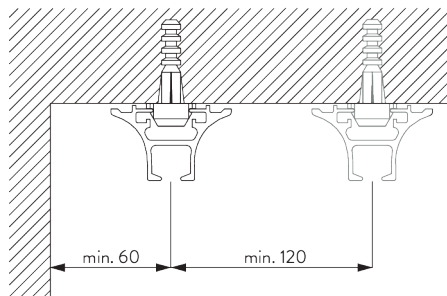


A: Funnel fitting tool SG 6827

For fitting / removing of the funnel profile.

## B. CEILING FITTING

### Clip SG 11236

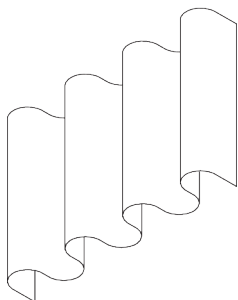


SG 11236

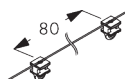
Clip

# SYSTEM OPTIONS

## A. WAVE



SG 11295



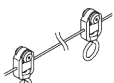
SG 11302



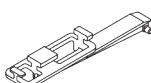
SG 2255



SG 2256



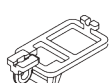
SG 6099



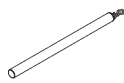
SG 6364



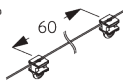
SG 6365



SG 6366



SG 10430-34



SG 11303

### Standard components:

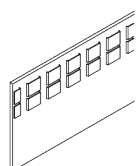
- SG 11295 End stop
- SG 11302 Wave 2C glider cord 80 mm

### Optional components:

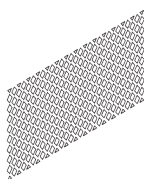
- SG 2255 Brake
- SG 2256 Brake
- SG 6099 Wave roller cord 80 mm
- SG 6364 Wave extension
- SG 6365 Wave hanger
- SG 6366 Wave carrier for draw rod
- SG 10430-34 Draw rod
- SG 11303 Wave 2C glider cord 60 mm



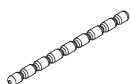
SG 3582



SG 6349



SG 6363



SG 10075



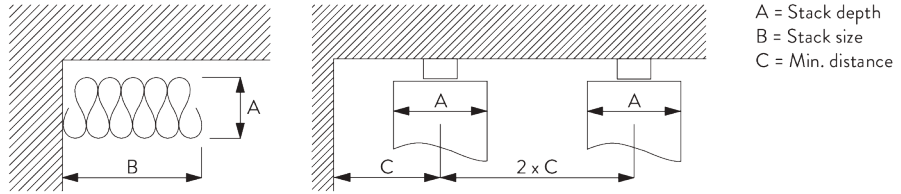
SG 10076

### Curtain components:

- SG 3582 Hook
- SG 6349 Wave curtain tape
- SG 6363 Wave top hemming tape
- SG 10075 Lead weight 50 gr/m
- SG 10076 Fabric weight



Wave stack depth - 2C glider cord (standard components)



2C Glider cord SG 11302	Pockets between hooks	Approx. curtain fullness	Stack depth A	Stack size B*	Min distance C
80	6	~2.1	140	180 per metre of track	90
80	7	~2.3	160	180 per metre of track	100

2C Glider cord SG 11303	Pockets between hooks	Approx. curtain fullness	Stack depth A	Stack size B*	Min distance C
60	4	~2.1	100	230 per metre of track	70
60	5	~2.3	120	230 per metre of track	80

\*Stack size B when using optional extension arm SG 6364 increases by 95 mm per curtain stack!

# PARTS

## A. STANDARD PARTS



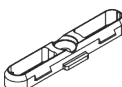
**SG 6065**  
End stop



**SG 6821**  
Profile Funnel



**SG 6823**  
End cover

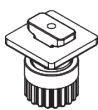


**SG 11236**  
Clip



**SG 11300**  
2C glider

## B. OPTIONAL PARTS



**SG 2255**  
Brake



**SG 2256**  
Brake



**SG 3582**  
Hook



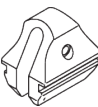
**SG 3599**  
Hook



**SG 3802**  
Connection bridge



**SG 6053**  
Spring stop



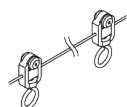
**SG 6086**  
Spring stop



**SG 6094**  
Roller



**SG 6098**  
Roller



**SG 6099**  
Wave roller cord 80 mm



**SG 6146**  
Hook



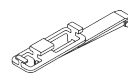
**SG 6283**  
Roller



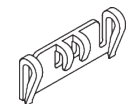
**SG 6349**  
Wave curtain tape



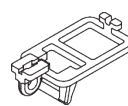
**SG 6363**  
Wave top hemming tape



**SG 6364**  
Wave extension



**SG 6365**  
Wave hanger



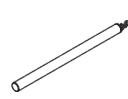
**SG 6366**  
Wave carrier for draw rod



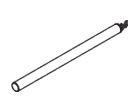
**SG 10075**  
Lead weight 50 g/m



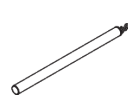
**SG 10076**  
Fabric weight



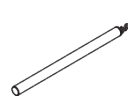
**SG 10430**  
Draw rod 50 cm



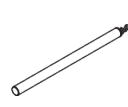
**SG 10431**  
Draw rod 75 cm



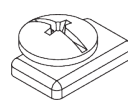
**SG 10432**  
Draw rod 100 cm



**SG 10433**  
Draw rod 125 cm



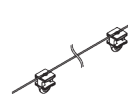
**SG 10434**  
Draw rod 150 cm



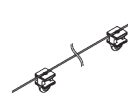
**SG 11295**  
End stop



**SG 11301**  
2C glider on strip



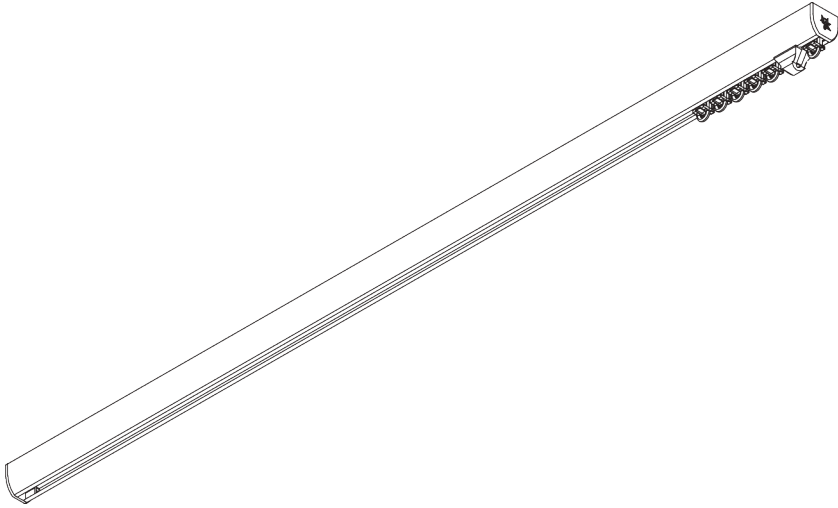
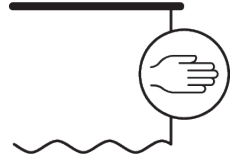
**SG 11302**  
Wave 2C glider cord 80 mm



**SG 11303**  
Wave 2C glider cord 60 mm

# SG 6840

---



## PRODUCT INFORMATION

- **Operation:** hand
- **Range:** M - L
- **Fitting:** ceiling, wall
- **Colours:** white RAL 9016, black RAL 9005 or anodised aluminum, special colours possible
- **Fabrics:** refer to Silent Gliss fabric collection

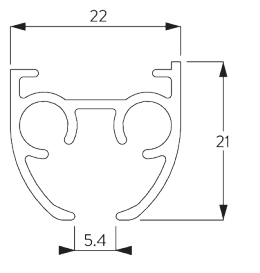
### **Features:**

- 2-component (2C) glider technology
- Wave (2C)
- Bendable

# SYSTEM SPECIFICATIONS

## A. PROFILE

Profile and bending information

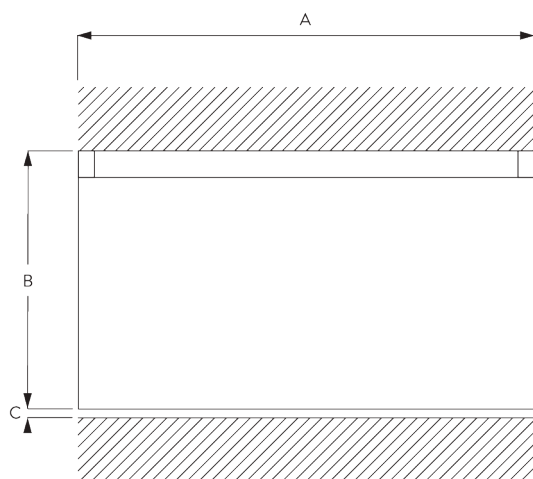


**SG 3841**

Profile

Radius:  
20 cm, >30 cm

## B. HOW TO MEASURE



A: System width  
B: System height  
C: Distance between floor and fabric

## C. SPECIFICATION TEXT

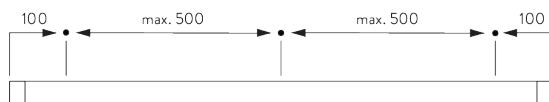
**Silent Gliss SG 6840 Hand Operated Curtain Track System.** Comprises aluminium profile SG 3841 available in anodised silver aluminium or powder coated in white / matt white / anodic grey / antique bronze / charcoal / black. Supplied as standard with 2C gliders SG 11300 at 14/m, 2 end covers SG 3842 and 2 end stops SG 6065. Top fixed with clamp SG 3825 at max. 500mm centres. Optional top fix bracket SG 3826 / SG 3832. Wall fix with SG Smart Fix brackets SG 11201-11205 and SG 3826 or SG 3832 / SG Square Smart Fix brackets SG 11210-11215 and SG 3826 or SG 3832 / SG Universal Smart Fix brackets SG 11154-11156. Silent Gliss Wave option is available using 60mm glider cord SG 11303 / 80mm glider cord SG 11302.

# FITTING

## A. FITTING INFORMATION

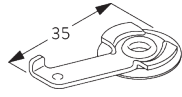
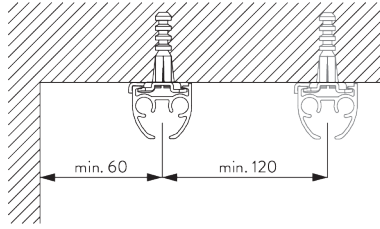
Fixing points

For detailed fitting information, visit the [Silent Gliss website](#).



**B. CEILING FITTING**

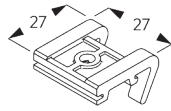
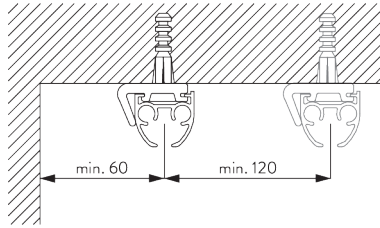
**Clamp SG 3825**



**SG 3825**

*Clamp*

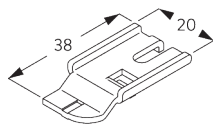
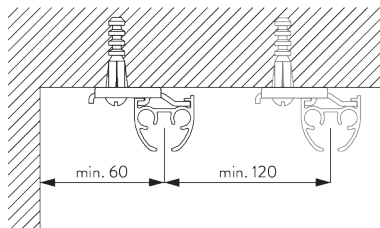
**Bracket SG 3826**



**SG 3826**

*Bracket*

**Bracket SG 3832**

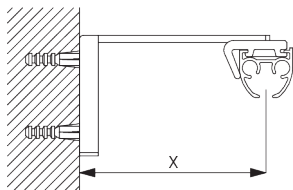


**SG 3832**

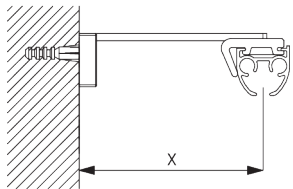
*Bracket*

## C. WALL FITTING

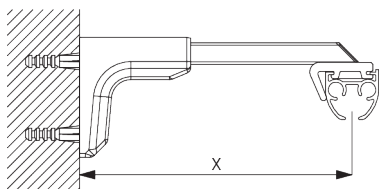
### Smart Fix



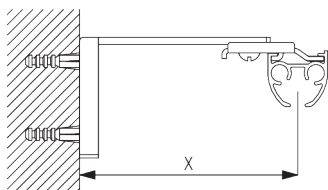
**Smart Fix SG 11200 - SG 11205 and bracket SG 3826:**  
Screw SG 10492 (M4x8) needed.



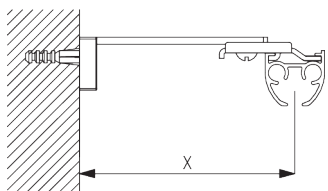
**Square Smart Fix SG 11210 - SG 11215 and bracket SG 3826:**  
Screw SG 10492 (M4x8) needed.



**Universal Smart Fix SG 11154 - SG 11156 and bracket SG 3826:**  
Screw SG 10277 (M4x12) needed.

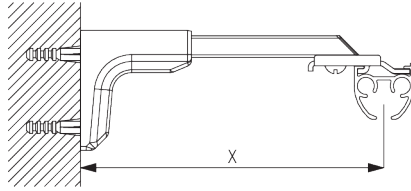


**Smart Fix SG 11200 - SG 11205 and bracket SG 3832:**  
Screw SG 10492 (M4x8) needed.



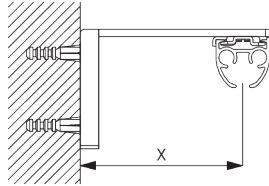
**Square Smart Fix SG 11210 - SG 11215 and bracket SG 3832:**  
Screw SG 10492 (M4x8) needed.

Smart Fix	X mm (SG 3826 / SG 3825)	X mm (SG 3832)
SG 11200 / SG 11210	52	70
SG 11201 / SG 11211	72	90
SG 11202 / SG 11212	92	110
SG 11203 / SG 11213	112	130
SG 11204 / SG 11214	142	160
SG 11205 / SG 11215	192	210
SG 11154	102-130	120-148
SG 11155	132-160	150-178
SG 11156	182-210	200-228



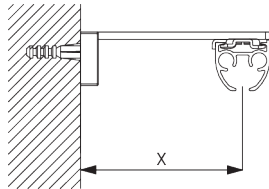
**Universal Smart Fix SG 11154 - SG 11156 and bracket SG 3832:**

Screw SG 10407 (M4x10) needed.



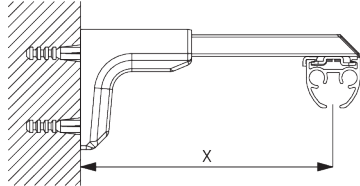
**Smart Fix SG 11200 - SG 11205 and clamp SG 3825:**

Screw SG 10074 (M4x8) needed.



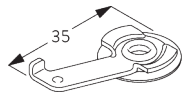
**Square Smart Fix SG 11210 - SG 11215 and clamp SG 3825:**

Screw SG 10074 (M4x8) needed.

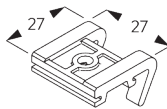


**Universal Smart Fix SG 11154 - SG 11156 and clamp SG 3825:**

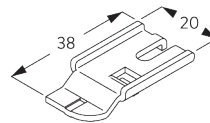
Screw SG 11158 (M4x12) needed.



**SG 3825**  
Clamp



**SG 3826**  
Bracket



**SG 3832**  
Bracket



**SG 10074**  
Countersunk head screw  
M4x8



**SG 10277**  
Pan head screw M4x12



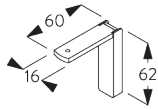
**SG 10407**  
Pan head screw M4x10



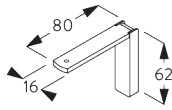
**SG 10492**  
Pan head screw M4x8



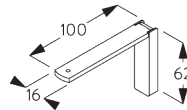
**SG 11158**  
Countersunk head screw  
M4x12



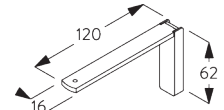
**SG 11200**  
Smart Fix 60 mm



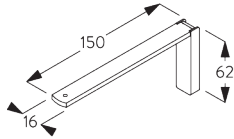
**SG 11201**  
Smart Fix 80 mm



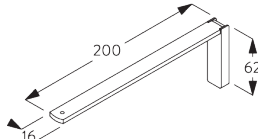
**SG 11202**  
Smart Fix 100 mm



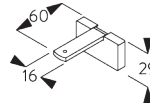
**SG 11203**  
Smart Fix 120 mm



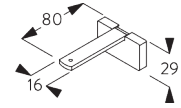
**SG 11204**  
Smart Fix 150 mm



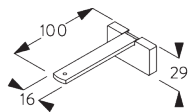
**SG 11205**  
Smart Fix 200 mm



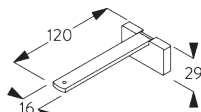
**SG 11210**  
Square Smart Fix 60 mm



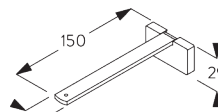
**SG 11211**  
Square Smart Fix 80 mm



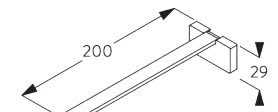
**SG 11212**  
Square Smart Fix 100 mm



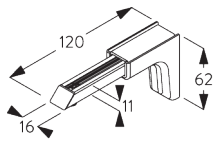
**SG 11213**  
Square Smart Fix 120 mm



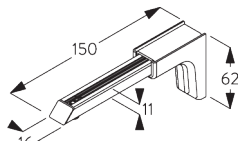
**SG 11214**  
Square Smart Fix 150 mm



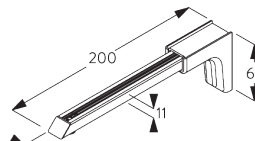
**SG 11215**  
Square Smart Fix 200 mm



**SG 11154**  
Universal Smart Fix 120 mm

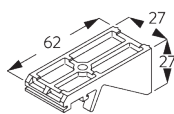
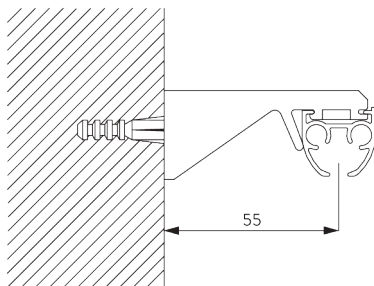


**SG 11155**  
Universal Smart Fix 150 mm



**SG 11156**  
Universal Smart Fix 200 mm

## Bracket SG 3836

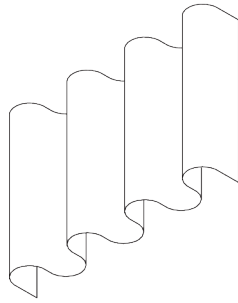


**SG 3836**  
Bracket

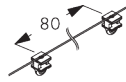


# SYSTEM OPTIONS

## A. WAVE



SG 11295



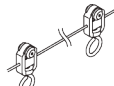
SG 11302



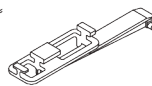
SG 2255



SG 2256



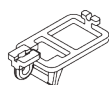
SG 6099



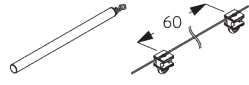
SG 6364



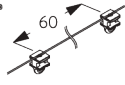
SG 6365



SG 6366



SG 10430-34



SG 11303

### Standard components:

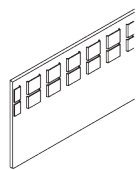
- SG 11295 End stop
- SG 11302 Wave 2C glider cord 80 mm

### Optional components (min. radius: >30 cm):

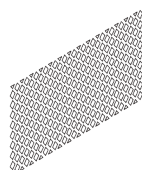
- SG 2255 Brake
- SG 2256 Brake
- SG 6099 Wave roller cord 80 mm
- SG 6364 Wave extension
- SG 6365 Wave hanger
- SG 6366 Wave carrier for draw rod
- SG 10430-34 Draw rod
- SG 11303 Wave 2C glider cord 60 mm



SG 3582



SG 6349



SG 6363



SG 10075

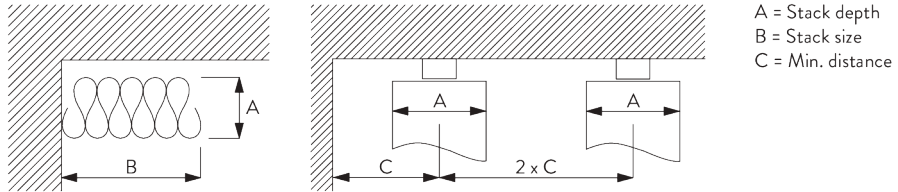


SG 10076

### Curtain components:

- SG 3582 Hook
- SG 6349 Wave curtain tape
- SG 6363 Wave top hemming tape
- SG 10075 Lead weight 50 gr/m
- SG 10076 Fabric weight

Wave stack depth - 2C glider cord (standard components)








2C Glider cord SG 11302	Pockets between hooks	Approx. curtain fullness	Stack depth A	Stack size B*	Min distance C
80	6	~2.1	140	180 per metre of track	90
80	7	~2.3	160	180 per metre of track	100

2C Glider cord SG 11303	Pockets between hooks	Approx. curtain fullness	Stack depth A	Stack size B*	Min distance C
60	4	~2.1	100	230 per metre of track	70
60	5	~2.3	120	230 per metre of track	80

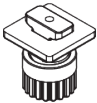
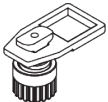



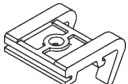
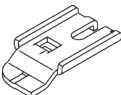
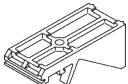


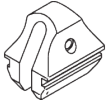


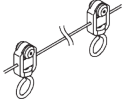
\*Stack size B when using optional extension arm SG 6364 increases by 95 mm per curtain stack!


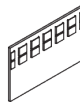

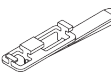
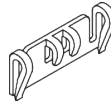
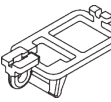
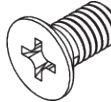

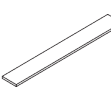

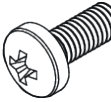
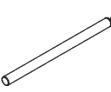
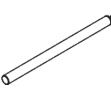
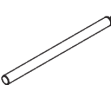
# PARTS

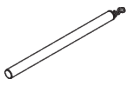
## A. STANDARD PARTS

	<b>SG 3825</b> Clamp
	<b>SG 3841</b> Profile
	<b>SG 3842</b> End cover
	<b>SG 6065</b> End stop
	<b>SG 11300</b> 2C glider

## B. OPTIONAL PARTS

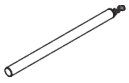
	<b>SG 2255</b> Brake
	<b>SG 2256</b> Brake
	<b>SG 3582</b> Hook
	<b>SG 3599</b> Hook
	<b>SG 3802</b> Connection bridge
	<b>SG 3826</b> Bracket
	<b>SG 3832</b> Bracket
	<b>SG 3836</b> Bracket
	<b>SG 6053</b> Spring stop
	<b>SG 6064</b> End stop
	<b>SG 6086</b> Spring stop
	<b>SG 6094</b> Roller
	<b>SG 6098</b> Roller
	<b>SG 6099</b> Wave roller cord 80 mm

	<b>SG 6283</b> Roller
	<b>SG 6349</b> Wave curtain tape
	<b>SG 6363</b> Wave top hemming tape
	<b>SG 6364</b> Wave extension
	<b>SG 6365</b> Wave hanger
	<b>SG 6366</b> Wave carrier for draw rod
	<b>SG 10074</b> Countersunk head screw M4x8
	<b>SG 10075</b> Lead weight 50 g/m
	<b>SG 10076</b> Fabric weight
	<b>SG 10277</b> Pan head screw M4x12
	<b>SG 10407</b> Pan head screw M4x10
	<b>SG 10430</b> Draw rod 50 cm
	<b>SG 10431</b> Draw rod 75 cm
	<b>SG 10432</b> Draw rod 100 cm



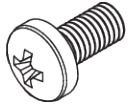
**SG 10433**

Draw rod 125 cm



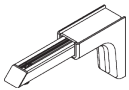
**SG 10434**

Draw rod 150 cm



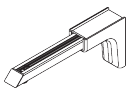
**SG 10492**

Pan head screw M4x8



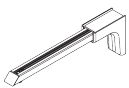
**SG 11154**

Universal Smart Fix 120 mm



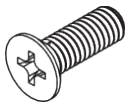
**SG 11155**

Universal Smart Fix 150 mm



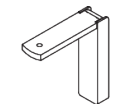
**SG 11156**

Universal Smart Fix 200 mm



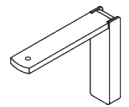
**SG 11158**

Countersunk head screw M4x12



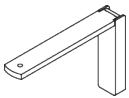
**SG 11200**

Smart Fix 60 mm



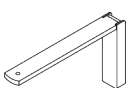
**SG 11201**

Smart Fix 80 mm



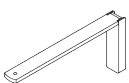
**SG 11202**

Smart Fix 100 mm



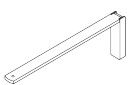
**SG 11203**

Smart Fix 120 mm



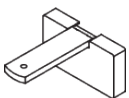
**SG 11204**

Smart Fix 150 mm



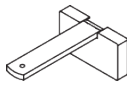
**SG 11205**

Smart Fix 200 mm



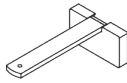
**SG 11210**

Square Smart Fix 60 mm



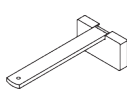
**SG 11211**

Square Smart Fix 80 mm



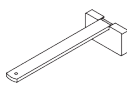
**SG 11212**

Square Smart Fix 100 mm



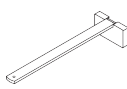
**SG 11213**

Square Smart Fix 120 mm



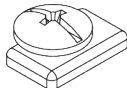
**SG 11214**

Square Smart Fix 150 mm



**SG 11215**

Square Smart Fix 200 mm



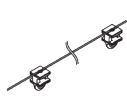
**SG 11295**

End stop



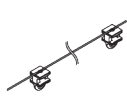
**SG 11301**

2C glider on strip



**SG 11302**

Wave 2C glider cord 80 mm

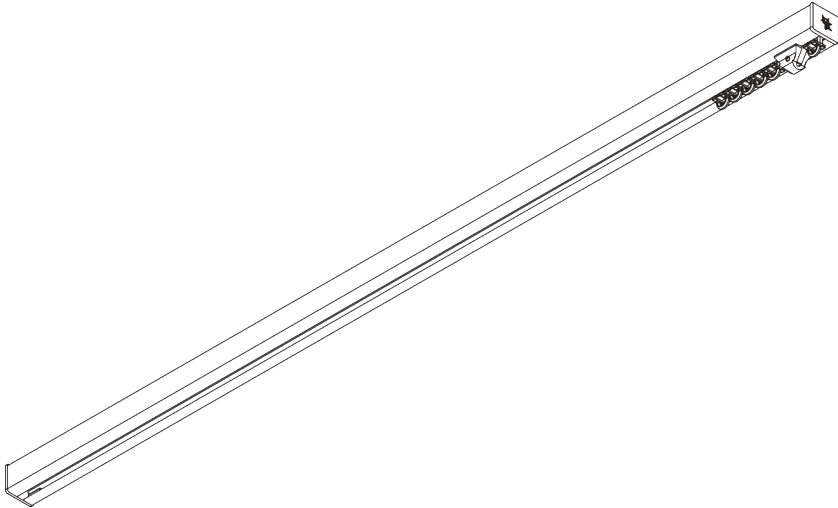
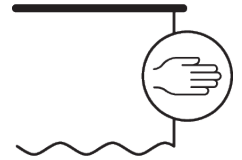


**SG 11303**

Wave 2C glider cord 60 mm

# SG 6870

---



## PRODUCT INFORMATION

- **Operation:** hand
- **Range:** M - L
- **Fitting:** ceiling, wall, recess
- **Colours:** white RAL 9016, black RAL 9005 or anodised aluminum, special colours possible (recess profile only in white RAL 9016, black RAL 9005 or special color)
- **Fabrics:** refer to Silent Gliss fabric collection

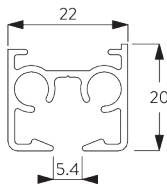
### **Features:**

- 2-component (2C) glider technology
- Wave (2C)
- Bendable
- Bendable recess profile

# SYSTEM SPECIFICATIONS

## A. PROFILE

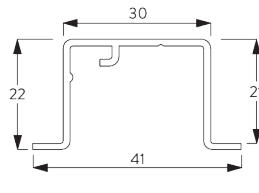
Profile and bending information



**SG 11190**

Profile

Radius:  >26 cm

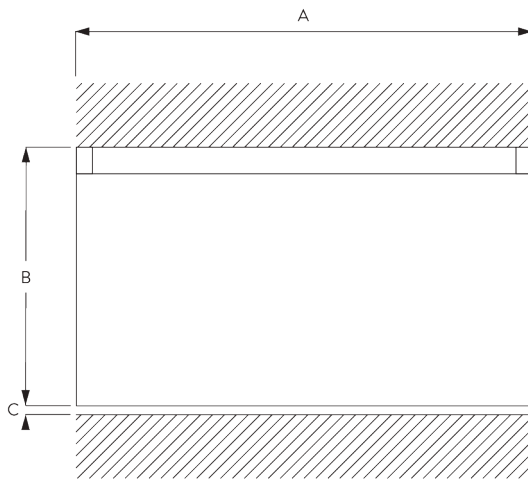


**SG 11230**

Recess profile

Radius:  >50 cm

## B. HOW TO MEASURE



A: System width

B: System height

C: Distance between floor and fabric

## C. SPECIFICATION TEXT

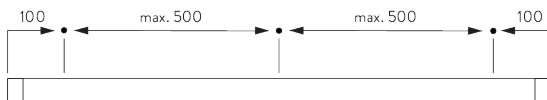
**Silent Gliss SG 6870 Hand Operated Curtain Track System.** Comprises aluminium profile SG 11190 supplied made to measure, available in silver anodised or powder coated in white / matt white / anodic grey / antique bronze / charcoal / black. Supplied as standard with 2C gliders SG 11300 at 14/m, 2 end covers SG 11233 and 2 end stops SG 6065. Top fixed with fixing clamp SG 3825 at 500mm centres. Optional top fix bracket SG 3832 / Wall fix with SG Smart Fix brackets SG 11201-11205 and SG 3826 or SG 3832 / Square Smart Fix brackets SG 11210-11215 and SG 3826 or SG 3832 / SG Universal Smart Fix brackets SG 11154-11156

# FITTING

## A. FITTING INFORMATION

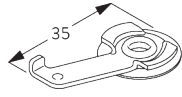
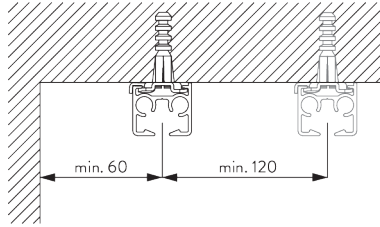
Fixing points

For detailed fitting information, visit the Silent Gliss website.



**B. CEILING FITTING**

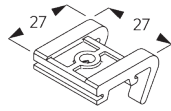
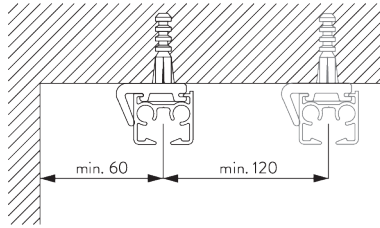
**Clamp SG 3825**



**SG 3825**

*Clamp*

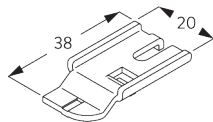
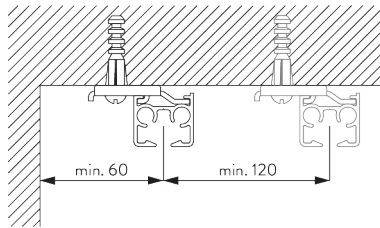
**Bracket SG 3826**



**SG 3826**

*Bracket*

**Bracket SG 3832**

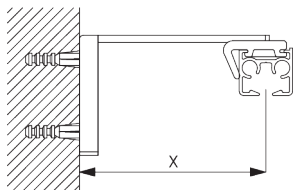


**SG 3832**

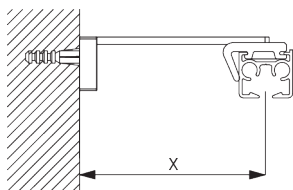
*Bracket*

## C. WALL FITTING

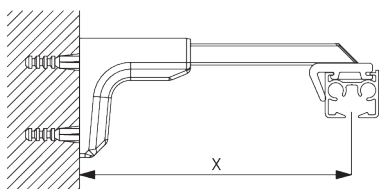
### Smart Fix



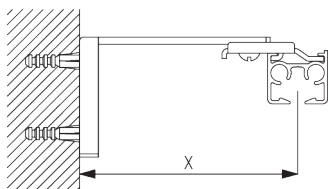
**Smart Fix SG 11200 - SG 11205 and bracket SG 3826:**  
Screw SG 10492 (M4x8) needed.



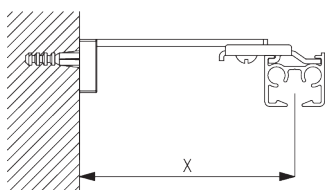
**Square Smart Fix SG 11210 - SG 11215 and bracket SG 3826:**  
Screw SG 10492 (M4x8) needed.



**Universal Smart Fix SG 11154 - SG 11156 and bracket SG 3826:**  
Screw SG 10277 (M4x12) needed.



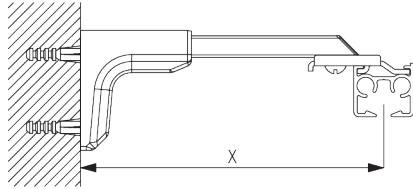
**Smart Fix SG 11200 - SG 11205 and bracket SG 3832:**  
Screw SG 10492 (M4x8) needed.



**Square Smart Fix SG 11210 - SG 11215 and bracket SG 3832:**  
Screw SG 10492 (M4x8) needed.

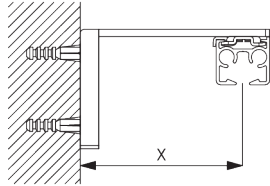
Smart Fix	X mm (SG 3826 / SG 3825)	X mm (SG 3832)
SG 11200 / SG 11210	52	70
SG 11201 / SG 11211	72	90
SG 11202 / SG 11212	92	110
SG 11203 / SG 11213	112	130
SG 11204 / SG 11214	142	160
SG 11205 / SG 11215	192	210
SG 11154	102-130	120-148
SG 11155	132-160	150-178
SG 11156	182-210	200-228





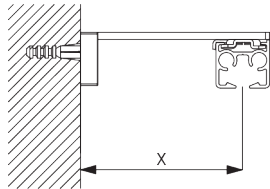
**Universal Smart Fix SG 11154 - SG 11156 and bracket SG 3832:**

Screw SG 10407 (M4x10) needed.



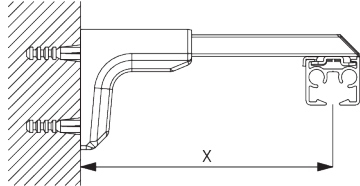
**Smart Fix SG 11200 - SG 11205 and clamp SG 3825:**

Screw SG 10074 (M4x8) needed.



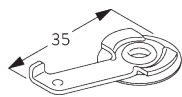
**Square Smart Fix SG 11210 - SG 11215 and clamp SG 3825:**

Screw SG 10074 (M4x8) needed.

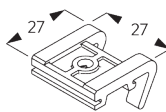


**Universal Smart Fix SG 11154 - SG 11156 and clamp SG 3825:**

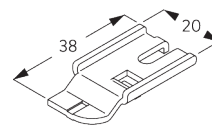
Screw SG 11158 (M4x12) needed.



**SG 3825**  
Clamp



**SG 3826**  
Bracket



**SG 3832**  
Bracket



**SG 10074**  
Countersunk head screw  
M4x8



**SG 10277**  
Pan head screw M4x12



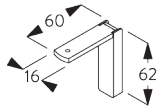
**SG 10407**  
Pan head screw M4x10



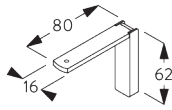
**SG 10492**  
Pan head screw M4x8



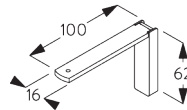
**SG 11158**  
Countersunk head screw  
M4x12



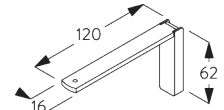
**SG 11200**  
Smart Fix 60 mm



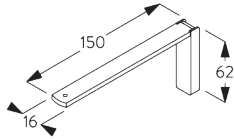
**SG 11201**  
Smart Fix 80 mm



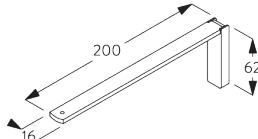
**SG 11202**  
Smart Fix 100 mm



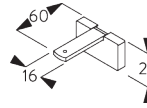
**SG 11203**  
Smart Fix 120 mm



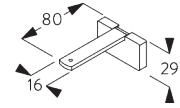
**SG 11204**  
Smart Fix 150 mm



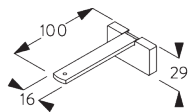
**SG 11205**  
Smart Fix 200 mm



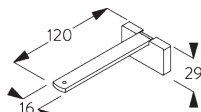
**SG 11210**  
Square Smart Fix 60 mm



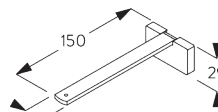
**SG 11211**  
Square Smart Fix 80 mm



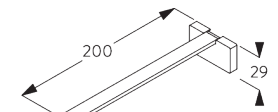
**SG 11212**  
Square Smart Fix 100 mm



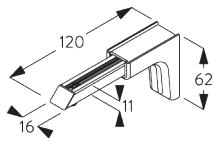
**SG 11213**  
Square Smart Fix 120 mm



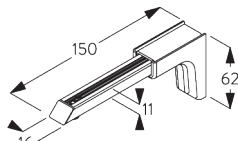
**SG 11214**  
Square Smart Fix 150 mm



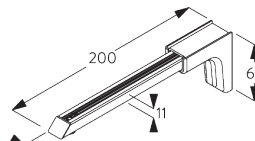
**SG 11215**  
Square Smart Fix 200 mm



**SG 11154**  
Universal Smart Fix 120 mm

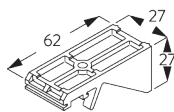
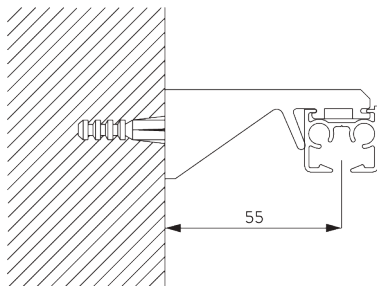


**SG 11155**  
Universal Smart Fix 150 mm



**SG 11156**  
Universal Smart Fix 200 mm

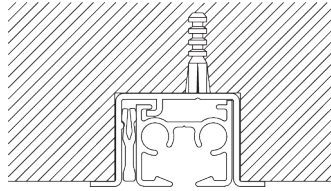
## Bracket SG 3836



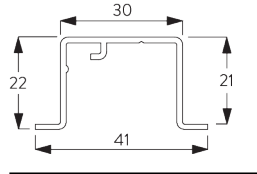
**SG 3836**  
Bracket

## D. RECESS FITTING

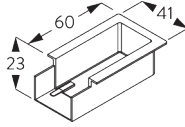
### Recess profile SG 11230



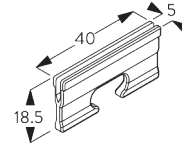
One wedge SG 10157 per fixing point.  
For detailed recess fitting, visit the Silent Gliss website.



**SG 11230**  
Recess profile



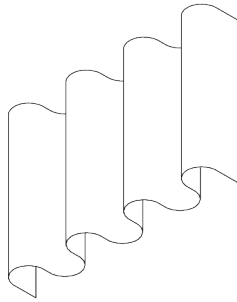
**SG 11238**  
Recess Mask



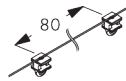
**SG 10157**  
Wedge

# SYSTEM OPTIONS

## A. WAVE



SG 11295



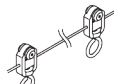
SG 11302



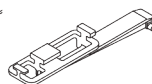
SG 2255



SG 2256



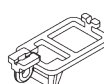
SG 6099



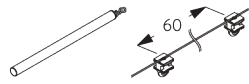
SG 6364



SG 6365



SG 6366



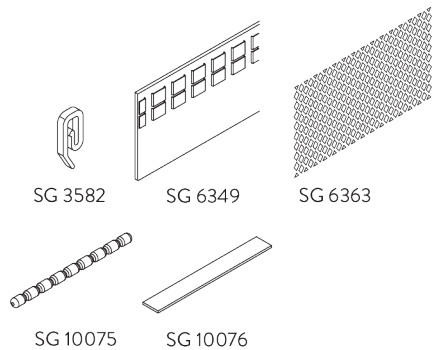
SG 10430-34 SG 11303

### Standard components:

- SG 11295 End stop
- SG 11302 Wave 2C glider cord 80 mm

### Optional components:

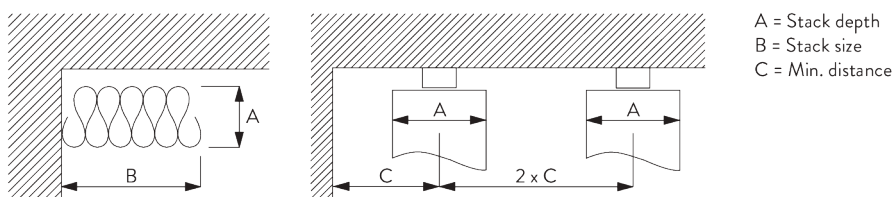
- SG 2255 Brake
- SG 2256 Brake
- SG 6099 Wave roller cord 80 mm
- SG 6364 Wave extension
- SG 6365 Wave hanger
- SG 6366 Wave carrier for draw rod
- SG 10430-34 Draw rod
- SG 11303 Wave 2C glider cord 60 mm



**Curtain components:**

- SG 3582 Hook
- SG 6349 Wave curtain tape
- SG 6363 Wave top hemming tape
- SG 10075 Lead weight 50 gr/m
- SG 10076 Fabric weight

**Wave stack depth - 2C glider cord (standard components)**



A = Stack depth  
 B = Stack size  
 C = Min. distance



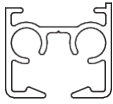
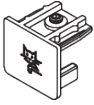

2C Glider cord SG 11302	Pockets between hooks	Approx. curtain fullness	Stack depth A	Stack size B*	Min distance C
80	6	~2.1	140	180 per metre of track	90
80	7	~2.3	160	180 per metre of track	100

2C Glider cord SG 11303	Pockets between hooks	Approx. curtain fullness	Stack depth A	Stack size B*	Min distance C
60	4	~2.1	100	230 per metre of track	70
60	5	~2.3	120	230 per metre of track	80

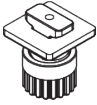

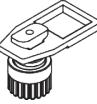


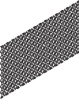

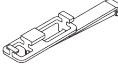

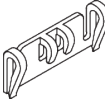
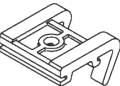
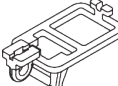
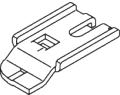
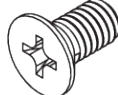
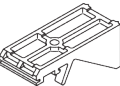
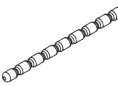

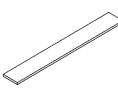

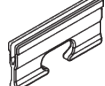

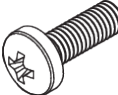

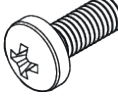

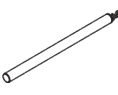
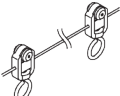
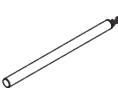
\*Stack size B when using optional extension arm SG 6364 increases by 95 mm per curtain stack!

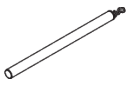
# PARTS

## A. STANDARD PARTS

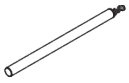
	<b>SG 3825</b> Clamp
	<b>SG 6065</b> End stop
	<b>SG 11190</b> Profile
	<b>SG 11233</b> End cover
	<b>SG 11300</b> 2C glider

## B. OPTIONAL PARTS

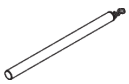
	<b>SG 2255</b> Brake		<b>SG 6283</b> Roller
	<b>SG 2256</b> Brake		<b>SG 6349</b> Wave curtain tape
	<b>SG 3582</b> Hook		<b>SG 6363</b> Wave top hemming tape
	<b>SG 3599</b> Hook		<b>SG 6364</b> Wave extension
	<b>SG 3802</b> Connection bridge		<b>SG 6365</b> Wave hanger
	<b>SG 3826</b> Bracket		<b>SG 6366</b> Wave carrier for draw rod
	<b>SG 3832</b> Bracket		<b>SG 10074</b> Countersunk head screw M4x8
	<b>SG 3836</b> Bracket		<b>SG 10075</b> Lead weight 50 g/m
	<b>SG 6053</b> Spring stop		<b>SG 10076</b> Fabric weight
	<b>SG 6064</b> End stop		<b>SG 10157</b> Wedge
	<b>SG 6086</b> Spring stop		<b>SG 10277</b> Pan head screw M4x12
	<b>SG 6094</b> Roller		<b>SG 10407</b> Pan head screw M4x10
	<b>SG 6098</b> Roller		<b>SG 10430</b> Draw rod 50 cm
	<b>SG 6099</b> Wave roller cord 80 mm		<b>SG 10431</b> Draw rod 75 cm



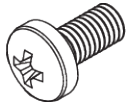
**SG 10432**  
Draw rod 100 cm



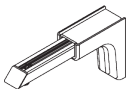
**SG 10433**  
Draw rod 125 cm



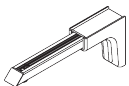
**SG 10434**  
Draw rod 150 cm



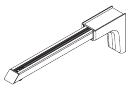
**SG 10492**  
Pan head screw M4x8



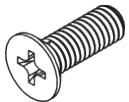
**SG 11154**  
Universal Smart Fix 120 mm



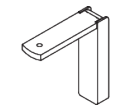
**SG 11155**  
Universal Smart Fix 150 mm



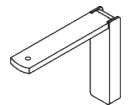
**SG 11156**  
Universal Smart Fix 200 mm



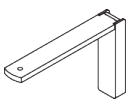
**SG 11158**  
Countersunk head screw M4x12



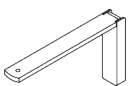
**SG 11200**  
Smart Fix 60 mm



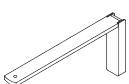
**SG 11201**  
Smart Fix 80 mm



**SG 11202**  
Smart Fix 100 mm



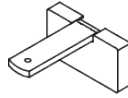
**SG 11203**  
Smart Fix 120 mm



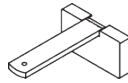
**SG 11204**  
Smart Fix 150 mm



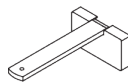
**SG 11205**  
Smart Fix 200 mm



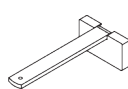
**SG 11210**  
Square Smart Fix 60 mm



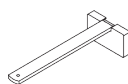
**SG 11211**  
Square Smart Fix 80 mm



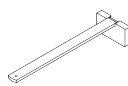
**SG 11212**  
Square Smart Fix 100 mm



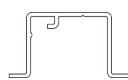
**SG 11213**  
Square Smart Fix 120 mm



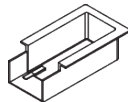
**SG 11214**  
Square Smart Fix 150 mm



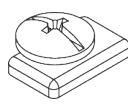
**SG 11215**  
Square Smart Fix 200 mm



**SG 11230**  
Recess profile



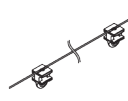
**SG 11238**  
Recess Mask



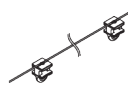
**SG 11295**  
End stop



**SG 11301**  
2C glider on strip



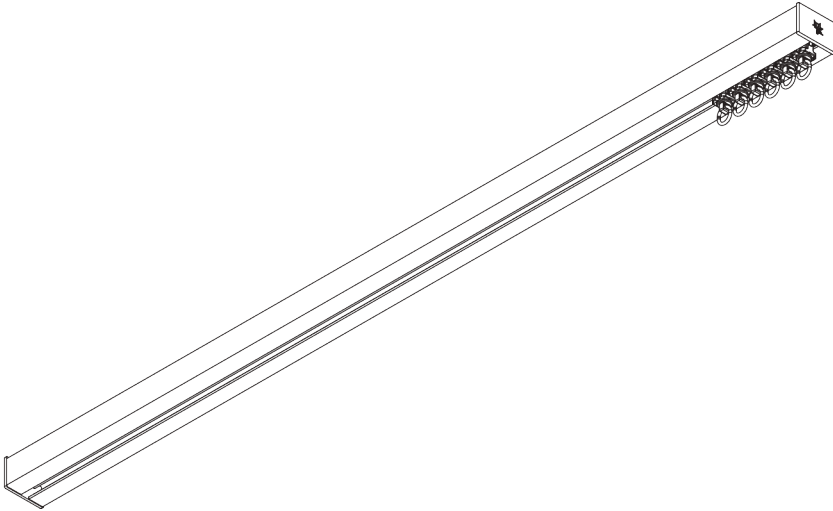
**SG 11302**  
Wave 2C glider cord 80 mm



**SG 11303**  
Wave 2C glider cord 60 mm

# SG 6970

---



## PRODUCT INFORMATION

- **Operation:** hand
- **Range:** M - L
- **Fitting:** ceiling, wall, recess
- **Colours:** white RAL 9016, black RAL 9005 or anodised aluminum, special colours possible (recess profile only in white RAL 9016, black RAL 9005 or special color)
- **Fabrics:** refer to Silent Gliss fabric collection

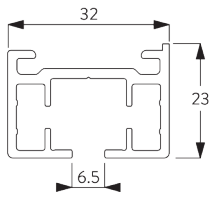
### **Features:**

- 2-component (2C) roller technology
- Wave (2C)
- Bendable
- Bendable recess profile

# SYSTEM SPECIFICATIONS

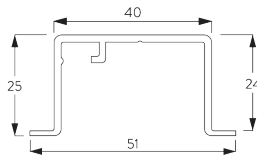
## A. PROFILE

Profile and bending information



**SG 10850**

Profile

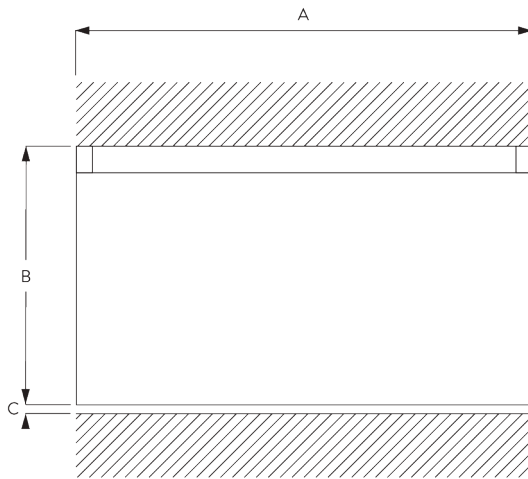


**SG 10862**

Recess profile



## B. HOW TO MEASURE



A: System width  
B: System height  
C: Distance between floor and fabric

## C. SPECIFICATION TEXT

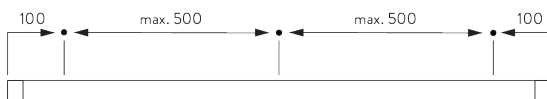
**Silent Gliss SG 6970 Hand Operated Curtain Track System.** Comprises aluminium profile SG 10850 supplied made to measure available in silver anodised or powder coated in white / black. Supplied as standard with 2C roller gliders SG 10840 at 10/m, 2 end covers SG 11235 and 2 end stops SG 6007. Top fixed with fixing clamp SG 3004 at max. 500mm centres. Optional top fix with SG 3041 bracket or direct top fix with mounting plate SG 10865 and profile protector SG 7002. Wall fix with SG Smart Fix brackets SG 11201-11205 and SG 3041 or SG 3004 / SG Square Smart Fix brackets SG 11210-11215 and SG 3041 or SG 3004 / SG Universal Smart Fix brackets SG 11154-11156 and SG 3041 or SG 3004. Recess fix with recess profile SG 10862, recess masks SG 10864 and wedges SG 5118. Silent Gliss Wave option is available using 60mm glider cord SG 10869 / 80mm glider cord SG 10852.

# FITTING

## A. FITTING INFORMATION

Fixing points

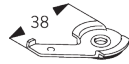
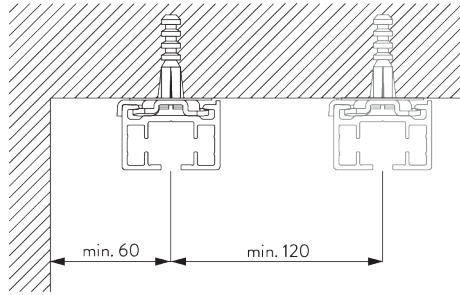
For detailed fitting information, visit the Silent Gliss website.





**B. CEILING FITTING**

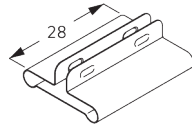
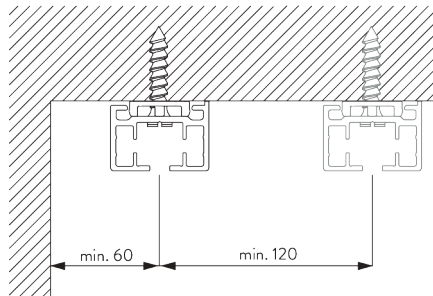
**Clamp SG 3004**



**SG 3004**

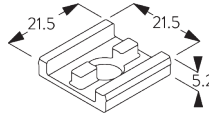
*Clamp*

**Direct fitting**



**SG 7002**

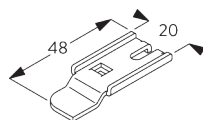
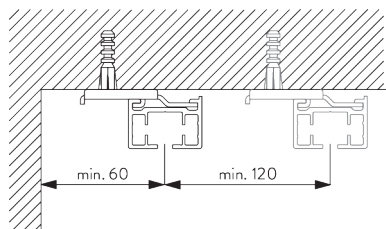
*Profile protector*



**SG 10865**

*Support plate*

**Bracket SG 3041**

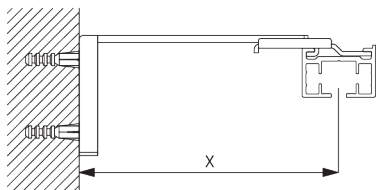


**SG 3041**

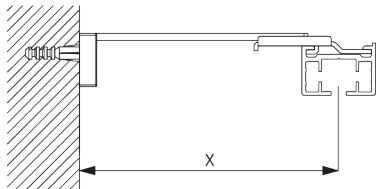
*Bracket*

## C. WALL FITTING

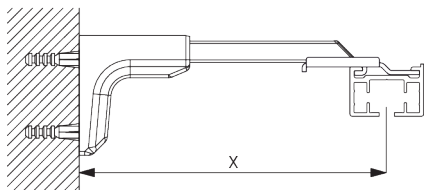
### Smart Fix



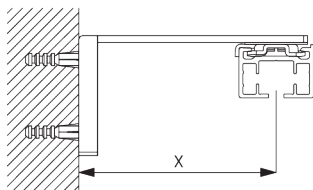
**Smart Fix SG 11200 - SG 1205 and bracket SG 3041:**  
Screw SG 10492 (M4x8) needed.



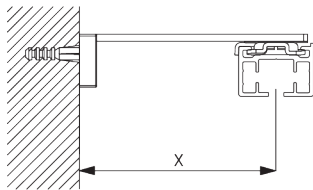
**Square Smart Fix SG 11210 - SG 1215 and bracket SG 3041:**  
Screw SG 10492 (M4x8) needed.



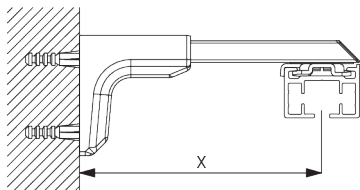
**Universal Smart Fix SG 11154 - SG 1156 and bracket SG 3041:**  
Screw SG 10407 (M4x10) needed.



**Smart Fix SG 11201 - SG 1205 and clamp SG 3004:**  
Screw SG 10074 (M4x8) needed.

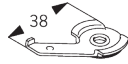


**Square Smart Fix SG 11211 - SG 1215 and clamp SG 3004:**  
Screw SG 10074 (M4x8) needed.

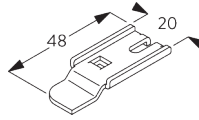


**Universal Smart Fix SG 11154 - SG 1156 and clamp SG 3004:**  
Screw SG 11158 (M4x12) needed.

Smart Fix	X mm (SG 3041)	X mm (SG 3004)
SG 11200 / SG 11210	83	
SG 11201 / SG 11211	103	72
SG 11202 / SG 11212	123	92
SG 11203 / SG 11213	143	112
SG 11204 / SG 11214	173	142
SG 11205 / SG 11215	223	192
SG 11154	128-156	102-130
SG 11155	158-186	132-160
SG 11156	208-236	182-210



**SG 3004**  
Clamp



**SG 3041**  
Bracket



**SG 10074**  
Countersunk head screw  
M4x8



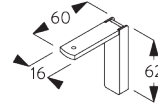
**SG 10407**  
Pan head screw M4x10



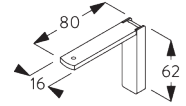
**SG 10492**  
Pan head screw M4x8



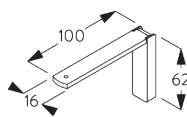
**SG 11158**  
Countersunk head screw  
M4x12



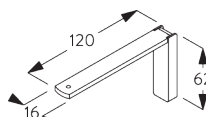
**SG 11200**  
Smart Fix 60 mm



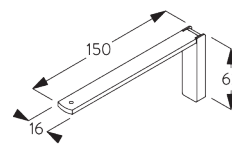
**SG 11201**  
Smart Fix 80 mm



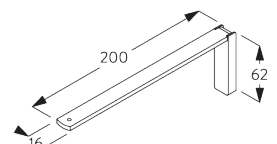
**SG 11202**  
Smart Fix 100 mm



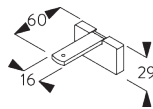
**SG 11203**  
Smart Fix 120 mm



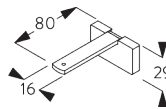
**SG 11204**  
Smart Fix 150 mm



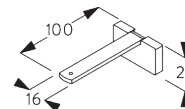
**SG 11205**  
Smart Fix 200 mm



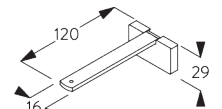
**SG 11210**  
Square Smart Fix 60 mm



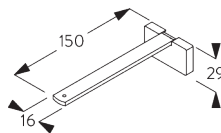
**SG 11211**  
Square Smart Fix 80 mm



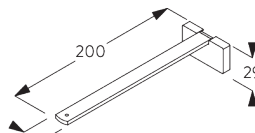
**SG 11212**  
Square Smart Fix 100 mm



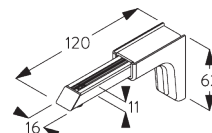
**SG 11213**  
Square Smart Fix 120 mm



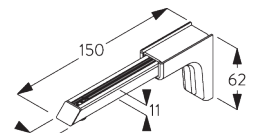
**SG 11214**  
Square Smart Fix 150 mm



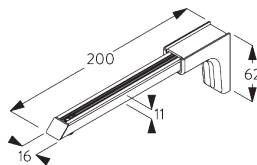
**SG 11215**  
Square Smart Fix 200 mm



**SG 11154**  
Universal Smart Fix 120 mm



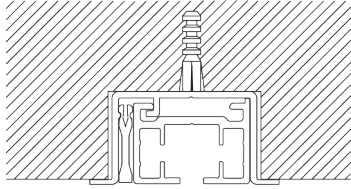
**SG 11155**  
Universal Smart Fix 150 mm



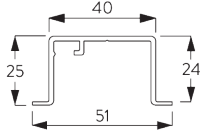
**SG 11156**  
Universal Smart Fix 200 mm

## D. RECESS FITTING

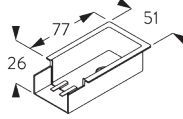
### Recess profile SG 10862



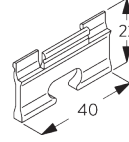
One wedge SG 5118 per fixing point.  
For detailed recess fitting, visit the Silent Gliss website.



**SG 10862**  
Recess profile



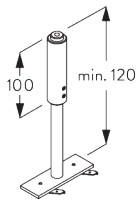
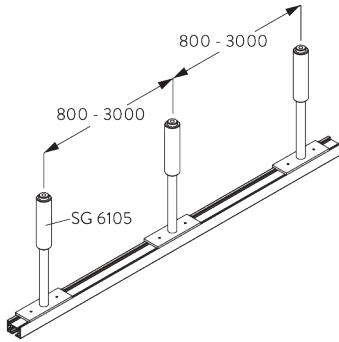
**SG 10864**  
Recess mask



**SG 5118**  
Wedge

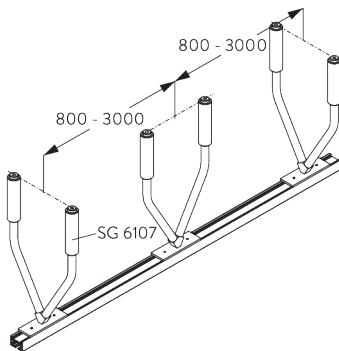
## E. SUSPENDED FITTING

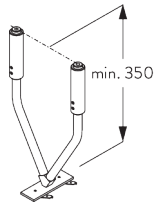
### Hanger SG 6105



**SG 6105**  
Hanger with plate

### V-hanger SG 6107

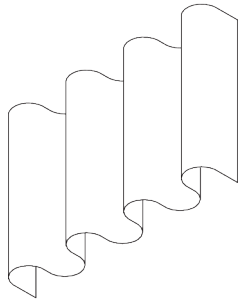




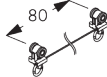
**SG 6107**  
V-Hanger with plate

# SYSTEM OPTIONS

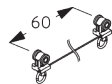
## A. WAVE



SG 11295



SG 10852



SG 10869

*Standard components:*

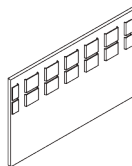
- SG 11295 End stop
- SG 10852 Wave 2C roller cord 80 mm

*Optional components:*

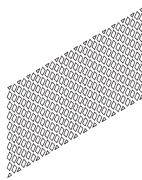
- SG 10869 Wave 2C roller cord 60 mm



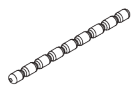
SG 3582



SG 6349



SG 6363



SG 10075

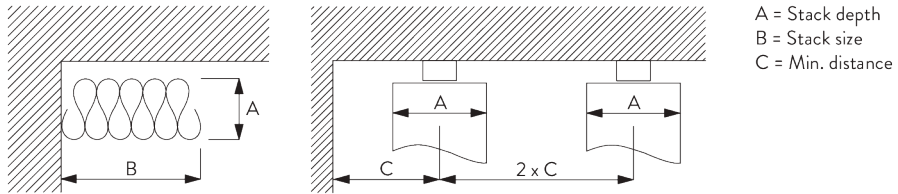


SG 10076

*Curtain components:*

- SG 3582 Hook
- SG 6349 Wave curtain tape
- SG 6363 Wave top hemming tape
- SG 10075 Lead weight 50 gr/m
- SG 10076 Fabric weight

Wave stack depth - 2C roller cord (standard components)



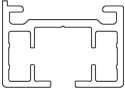
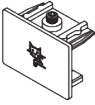



2C Roller cord SG 10852	Pockets between hooks	Approx. curtain fullness	Stack depth A	Stack size B	Min distance C
80	6	~2.1	140	210 per metre of track	90
80	7	~2.3	160	210 per metre of track	100

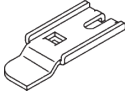
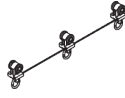
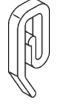

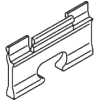
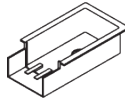
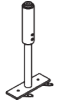
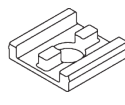
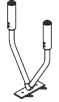
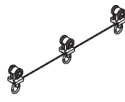
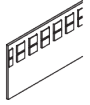
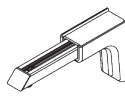

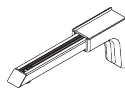
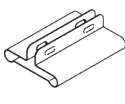
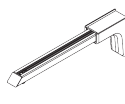
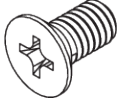
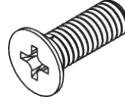

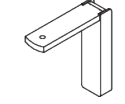
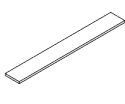
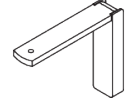
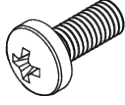
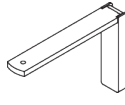
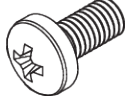
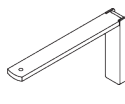
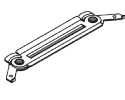
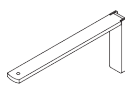
2C Roller cord SG 10869	Pockets between hooks	Approx. curtain fullness	Stack depth A	Stack size B	Min distance C
60	4	~2.1	100	260 per metre of track	70
60	5	~2.3	120	260 per metre of track	80

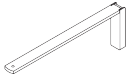
# PARTS

## A. STANDARD PARTS

	<b>SG 3004</b> Clamp
	<b>SG 10840</b> 2C roller
	<b>SG 10850</b> Profile
	<b>SG 11235</b> End cover
	<b>SG 11465</b> Spring stop

## B. OPTIONAL PARTS

	<b>SG 3041</b> Bracket		<b>SG 10852</b> Wave 2C roller cord 80 mm
	<b>SG 3582</b> Hook		<b>SG 10862</b> Recess profile
	<b>SG 5118</b> Wedge		<b>SG 10864</b> Recess mask
	<b>SG 6105</b> Hanger with plate		<b>SG 10865</b> Support plate
	<b>SG 6107</b> V-Hanger with plate		<b>SG 10869</b> Wave 2C roller cord 60 mm
	<b>SG 6349</b> Wave curtain tape		<b>SG 11154</b> Universal Smart Fix 120 mm
	<b>SG 6363</b> Wave top hemming tape		<b>SG 11155</b> Universal Smart Fix 150 mm
	<b>SG 7002</b> Profile protector		<b>SG 11156</b> Universal Smart Fix 200 mm
	<b>SG 10074</b> Countersunk head screw M4x8		<b>SG 11158</b> Countersunk head screw M4x12
	<b>SG 10075</b> Lead weight 50 g/m		<b>SG 11200</b> Smart Fix 60 mm
	<b>SG 10076</b> Fabric weight		<b>SG 11201</b> Smart Fix 80 mm
	<b>SG 10407</b> Pan head screw M4x10		<b>SG 11202</b> Smart Fix 100 mm
	<b>SG 10492</b> Pan head screw M4x8		<b>SG 11203</b> Smart Fix 120 mm
	<b>SG 10831</b> Connection bridge		<b>SG 11204</b> Smart Fix 150 mm

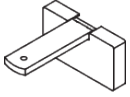


---

**SG 11205**

Smart Fix 200 mm

---

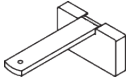


---

**SG 11210**

Square Smart Fix 60 mm

---

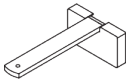


---

**SG 11211**

Square Smart Fix 80 mm

---

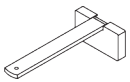


---

**SG 11212**

Square Smart Fix 100 mm

---

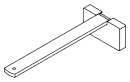


---

**SG 11213**

Square Smart Fix 120 mm

---

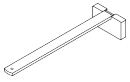


---

**SG 11214**

Square Smart Fix 150 mm

---

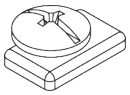


---

**SG 11215**

Square Smart Fix 200 mm

---



---

**SG 11295**

End stop

---









## ***The Architects of Silence***

***Silent Gliss is the leading global supplier of premium interior window treatments. Since 1952 we have been tirelessly committed to the development of the world's smoothest, quietest systems using state of the art technology.***

*Driven by customer needs, Silent Gliss offers functional and durable products. Expert technical advice coupled with installation and support services complete the offer. Silent Gliss stands for innovative, sustainable, tailor made solutions, exceptional design and first-class quality.*

### **Silent Gliss Ltd.**

Pyramid Business Park  
Poorhole Lane, Broadstairs  
Kent CT10 2PT  
United Kingdom  
**T** +44 1843 863571  
**F** +44 1843 864503  
info@silentgliss.co.uk

### **Silent Gliss Global Ltd.**

Pyramid Business Park  
Poorhole Lane, Broadstairs  
Kent CT10 2PT  
United Kingdom  
**T** +44 1843 874250  
**F** +44 1843 864503  
info@silentglissglobal.com

### **Silent Gliss Blinds Trading LLC**

Office 1906  
The H Hotel Complex  
Trade Center First  
Dubai  
United Arab Emirates  
**T** +971 4 7050318  
info@silentgliss.ae

**silentgliss.co.uk**  
**silentglissglobal.com**  
**silentgliss.ae**