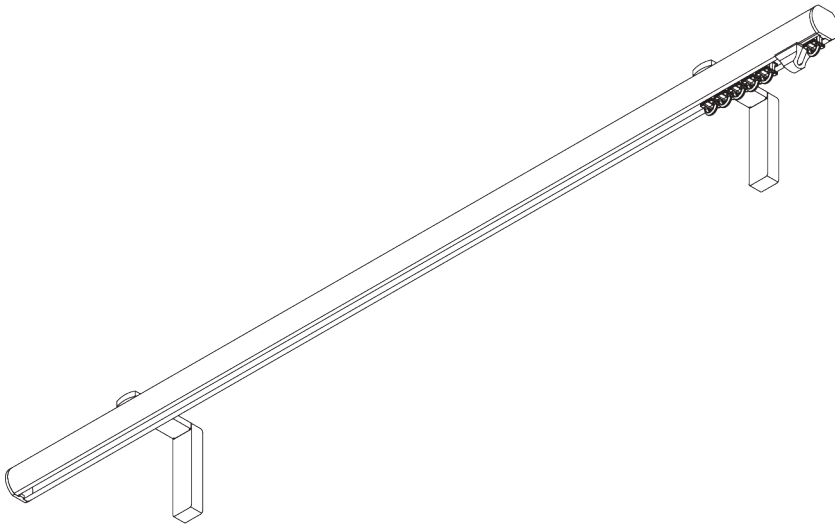
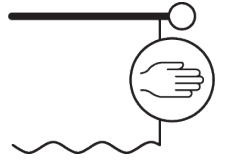


# SG 7600

---



## PRODUCT INFORMATION

- **Operation:** hand
- **Range:** S
- **Fitting:** ceiling, wall
- **Colours:** white RAL 9016, various colours / finishes
- **Fabrics:** refer to Silent Gliss fabric collection

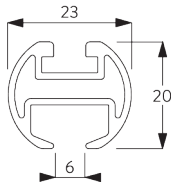
### **Features:**

- 2-component (2C) glider technology
- Wave (2C)
- Matching endcaps and brackets / bracket covers
- Range of decorative finials
- Bendable

# SYSTEM SPECIFICATIONS

## A. PROFILE

Profile and bending information

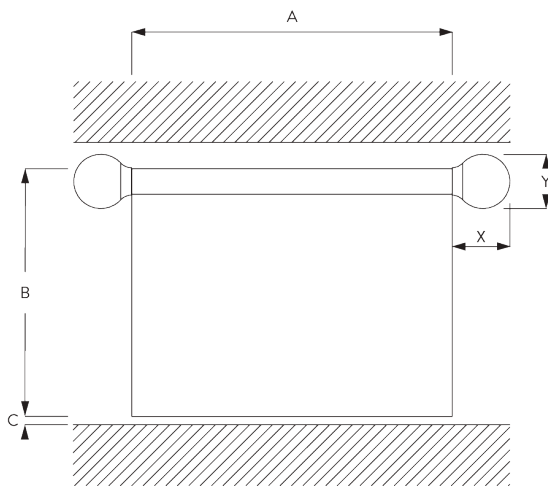


SG 11606

Profile

Radius:  
✓ 15 cm, 20 cm, >25 cm

## B. HOW TO MEASURE



A: System width without finials


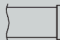





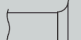

B: System height

C: Distance between floor and fabric

X: Finial width

Y: Finial height

## Finial Measurements

		23 mm	
		X	Y
	SG 11602	2	23
	SG 11621	8	27
	SG 11622	14	38
	SG 11723	53	23
	SG 11724	55	40
	SG 11726	49	46
	SG 11727	89	37
	SG 11728	20	69
	SG 11729	18	46

## C. SPECIFICATION

### TEXT

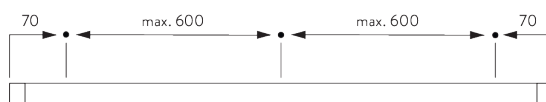
**Silent Gliss SG 7600 'Metropole' hand operated curtain track system.** Comprises 23 mm round aluminium profile SG 11606 supplied made to measure with gliders SG 11300 at 14/m, 2no. end stops SG 6065 and 2 no. flush end covers SG 11602. Straight poles supplied as standard with wall 'face' fix Smart Fix brackets SG 11206 at max. 600 mm centres. Optional wall fix brackets SG 11207-11208 / SG 11216-11218 / SG 11209 / SG 11472 / Fillet bracket SG 11669. Bent systems for wall 'face' fix supplied as standard with adjustable Smart Fix bracket SG 11209. Ceiling 'top' fix with plate SG 6151 / bracket SG 6175 / SG 11668 at max. 600 mm centres. Finished in White, Matt White, Ecru, Silver Anodised, Gunmetal, Charcoal and Chrome Effect. A range of decorative finials are available (limited range for Silver Anodised and Chrome). Silent Gliss Wave option is available using 60mm glider cord SG 11303 / 80 mm glider cord SG 11302 / 80 mm roller glider cord SG 6099.

# FITTING

## A. FITTING INFORMATION

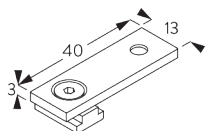
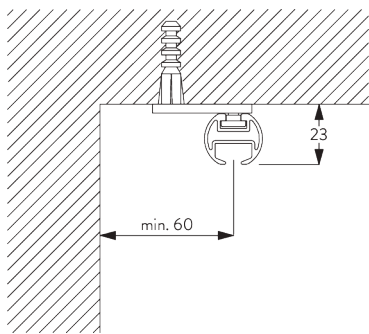
### Fixing points

For detailed fitting information, visit the [Silent Gliss website](#).



## B. CEILING FITTING

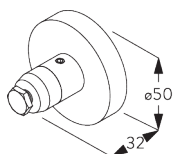
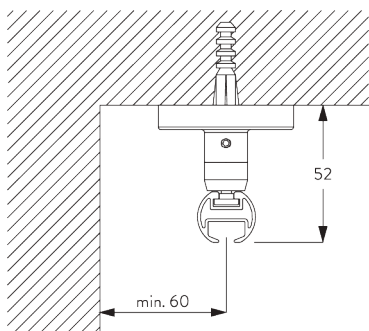
### Support SG 6151



**SG 6151**

*Ceiling support set 3 mm*

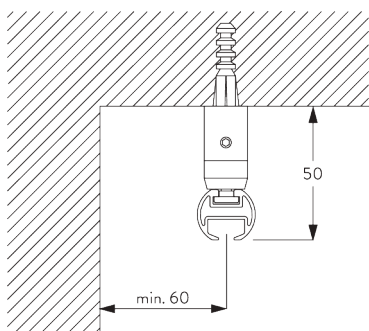
### Top fix bracket SG 11668

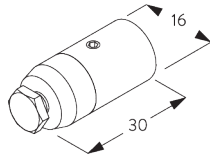


**SG 11668**

*Top fix bracket*

### Mini hanger SG 6175



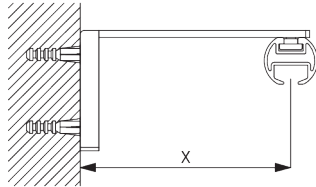


**SG 6175**

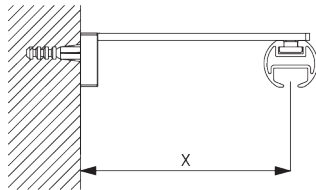
Mini hanger

## C. WALL FITTING

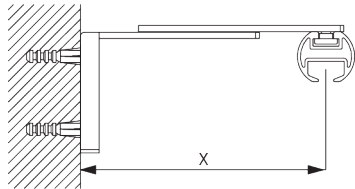
### Smart Fix



**Smart Fix with slot SG 11206 - SG 11208 and SG 6141:**  
Screw SG 6783 (M4x10) needed.

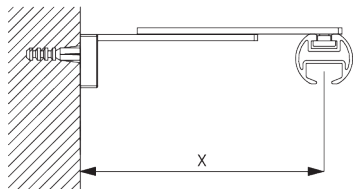


**Square Smart Fix with slot SG 11216 - SG 11218 and SG 6141:**  
Screw SG 6783 (M4x10) needed.



**Adjustable Smart Fix SG 11209 and SG 6141:**  
Screw SG 6784 (M4x8) needed.

Note: all bent Metropole systems are supplied with adjustable bracket SG 11209 as standard.



**Adjustable Square Smart Fix SG 11472 and SG 6141:**  
Screw SG 6784 (M4x8) needed.

**Smart Fix**

**X mm**

SG 11206 / SG 11216

51

SG 11207 / SG 11217

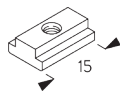
71

SG 11208 / SG 11218

91

SG 11209 / SG 11472

80-100



**SG 6141**

Clamping piece



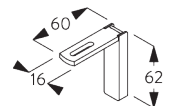
**SG 6783**

Hexagon socket countersunk screw M4x10 mm



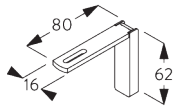
**SG 6784**

Hexagon socket countersunk screw M4x8 mm



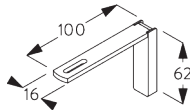
**SG 11206**

Smart Fix with slot 60 mm



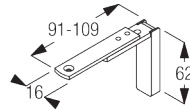
**SG 11207**

Smart Fix with slot 80 mm



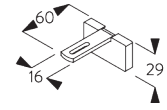
**SG 11208**

Smart Fix with slot 100 mm



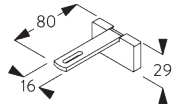
**SG 11209**

Adjustable Smart Fix



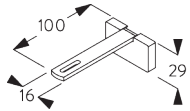
**SG 11216**

Square Smart Fix with slot 60 mm



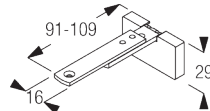
**SG 11217**

Square Smart Fix with slot 80 mm



**SG 11218**

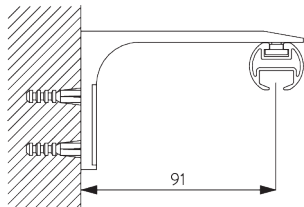
Square Smart Fix with slot 100 mm



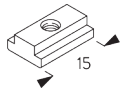
**SG 11472**

Adjustable Square Smart Fix

## Fillet Bracket SG 11669



Screw SG 6784 (M4x8) needed.  
Recommended for straight systems only.



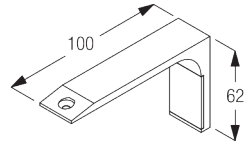
**SG 6141**

Clamping piece



**SG 6784**

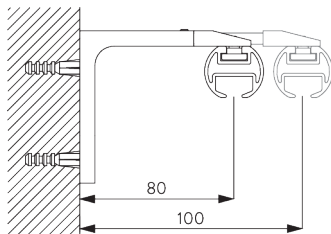
Hexagon socket countersunk  
screw M4x8 mm



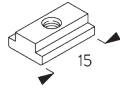
**SG 11669**

Fillet bracket

## Maxi adjustable bracket SG 20334



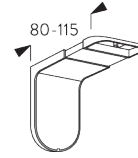
Screw SG 6783 (M4x10) needed.



**SG 6141**  
Clamping piece



**SG 6783**  
Hexagon socket countersunk  
screw M4x10 mm



**SG 20334**  
Maxi adjustable bracket

# DESIGN & SYSTEM OPTIONS

## A. ENDCAPS



SG 11602



SG 11621



SG 11622

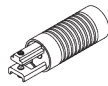
Endcaps:

- SG 11602 Flush endcap 23 mm
- SG 11621 Stud endcap 23 mm
- SG 11622 Design endcap 23 mm

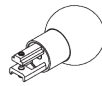
Please note:

- Without finials, poles are supplied as standard with flush fitting endcaps SG 11602 (left).
- Alternatively, stud endcaps SG 11621 can be selected at no additional cost.

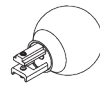
## B. FINIALS



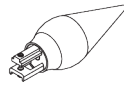
SG 11723



SG 11724



SG 11726



SG 11727



SG 11728

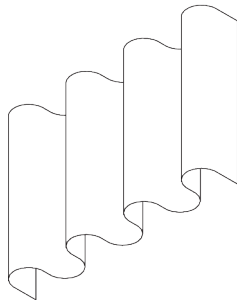


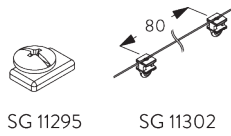
SG 11729

Finials are decorative elements that fit on at the end of the pole:

- SG 11723 Groove cylinder 23 mm
- SG 11724 Glass ball 23 mm
- SG 11726 Ball end 23 mm
- SG 11727 Spear 23 mm
- SG 11728 Ellipse 23 mm
- SG 11729 Taper 23 mm

## C. WAVE



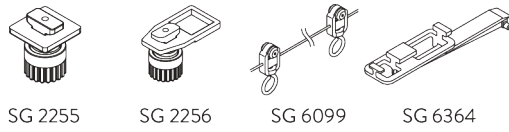


SG 11295

SG 11302

Standard components:

- SG 11295 End stop
- SG 11302 Wave 2C glider cord 80 mm



SG 2255

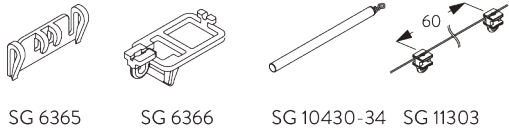
SG 2256

SG 6099

SG 6364

Optional components (min. Radius >25 cm):

- SG 2255 Brake
- SG 2256 Brake
- SG 6099 Wave roller cord 80 mm
- SG 6364 Wave extension
- SG 6365 Wave hanger
- SG 6366 Wave carrier for draw rod
- SG 10430-34 Draw rod
- SG 11303 Wave 2C glider cord 60 mm



SG 6365

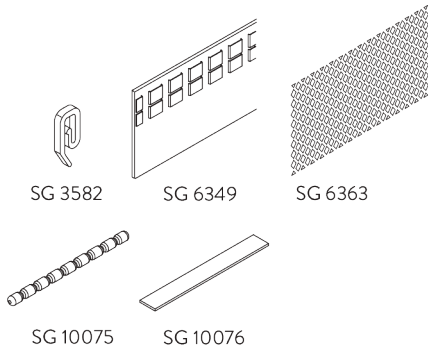
SG 6366

SG 10430-34

SG 11303

Curtain components:

- SG 3582 Hook
- SG 6349 Wave curtain tape
- SG 6363 Wave top hemming tape
- SG 10075 Lead weight 50 gr/m
- SG 10076 Fabric weigh



SG 3582

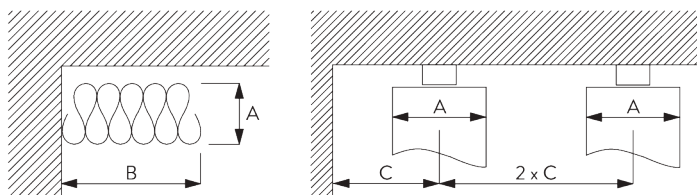
SG 6349

SG 6363

SG 10075

SG 10076

Wave stack depth - 2C glider cord (standard components)



A = Stack depth  
B = Stack size  
C = Min. distance

2C Glider cord SG 11302	Pockets between hooks	Approx. curtain fullness	Stack depth A	Stack size B*	Min distance C
80	6	~2.1	140	180 per metre of track	90
80	7	~2.3	160	180 per metre of track	100


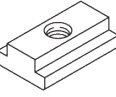
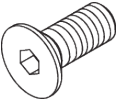
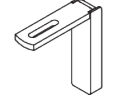
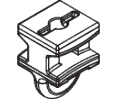
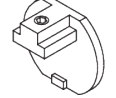

2C Glider cord SG 11303	Pockets between hooks	Approx. curtain fullness	Stack depth A	Stack size B*	Min distance C
60	4	~2.1	100	230 per metre of track	70
60	5	~2.3	120	230 per metre of track	80

\*Stack size B when using optional extension arm SG 6364 increases by 95 mm per curtain stack!

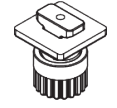
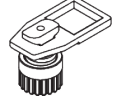

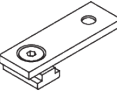
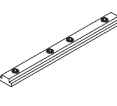
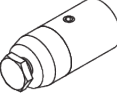

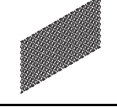
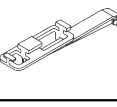
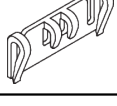
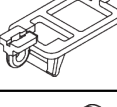
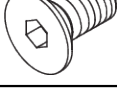
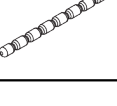



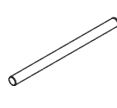
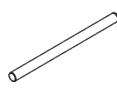
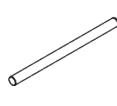
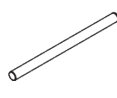
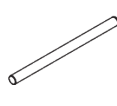
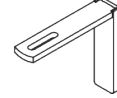
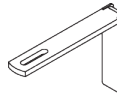
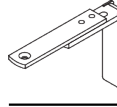
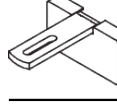
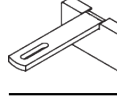
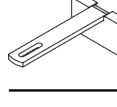
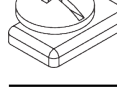


# PARTS

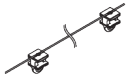
## A. STANDARD PARTS

	<b>SG 6065</b> End stop
	<b>SG 6141</b> Clamping piece
	<b>SG 6783</b> Hexagon socket countersunk screw M4x10 mm
	<b>SG 11206</b> Smart Fix with slot 60 mm
	<b>SG 11300</b> 2C glider
	<b>SG 11602</b> Flush end cap 23 mm
	<b>SG 11606</b> Profile

## B. OPTIONAL PARTS

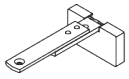
	<b>SG 2255</b> Brake
	<b>SG 2256</b> Brake
	<b>SG 3582</b> Hook
	<b>SG 6151</b> Ceiling support set 3 mm
	<b>SG 6173</b> Connection bridge
	<b>SG 6175</b> Mini hanger
	<b>SG 6349</b> Wave curtain tape
	<b>SG 6363</b> Wave top hemming tape
	<b>SG 6364</b> Wave extension
	<b>SG 6365</b> Wave hanger
	<b>SG 6366</b> Wave carrier for draw rod
	<b>SG 6784</b> Hexagon socket countersunk screw M4x8 mm
	<b>SG 10075</b> Lead weight 50 g/m
	<b>SG 10076</b> Fabric weight

	<b>SG 10430</b> Draw rod 50 cm
	<b>SG 10431</b> Draw rod 75 cm
	<b>SG 10432</b> Draw rod 100 cm
	<b>SG 10433</b> Draw rod 125 cm
	<b>SG 10434</b> Draw rod 150 cm
	<b>SG 11207</b> Smart Fix with slot 80 mm
	<b>SG 11208</b> Smart Fix with slot 100 mm
	<b>SG 11209</b> Adjustable Smart Fix
	<b>SG 11216</b> Square Smart Fix with slot 60 mm
	<b>SG 11217</b> Square Smart Fix with slot 80 mm
	<b>SG 11218</b> Square Smart Fix with slot 100 mm
	<b>SG 11295</b> End stop
	<b>SG 11301</b> 2C glider on strip
	<b>SG 11302</b> Wave 2C glider cord 80 mm



**SG 11303**

Wave 2C glider cord 60 mm



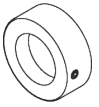
**SG 11472**

Adjustable Square Smart Fix



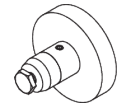
**SG 11621**

Stud endcap 23 mm



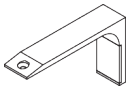
**SG 11622**

Design endcap 23 mm



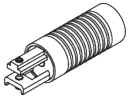
**SG 11668**

Top fix bracket



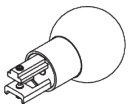
**SG 11669**

Fillet bracket



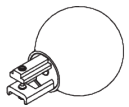
**SG 11723**

Groove cylinder 23 mm



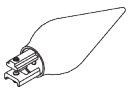
**SG 11724**

Glass ball 23 mm



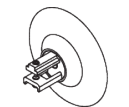
**SG 11726**

Ball end 23 mm



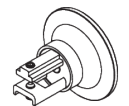
**SG 11727**

Spear 23 mm



**SG 11728**

Ellipse 23 mm



**SG 11729**

Taper 23 mm



**SG 20334**

Maxi adjustable bracket



