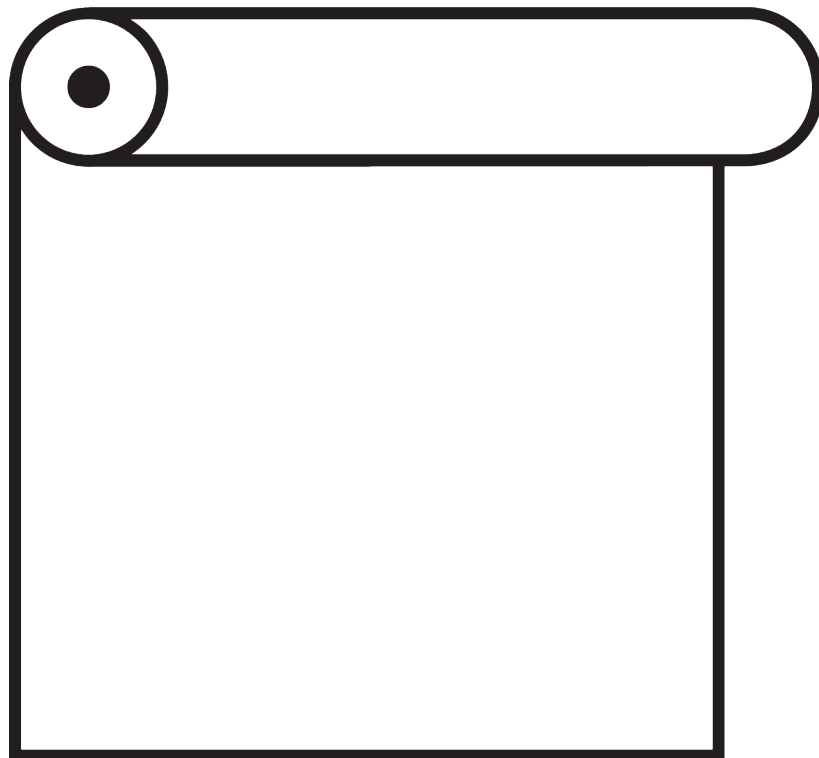


ROLLER BLIND SYSTEMS



GENERAL NOTES

Dimensions

- Measurements are in mm except where indicated.
- Max. kg relates to fabric incl. accessories (bottom bars, etc.).











Fitting

- Installation by qualified fitter only.
- Number of brackets and fitting positions / fixing points vary depending on fitting surface, system weight, fabric make-up, screw / fixing type and obstacles.
- Qualified fitter must use appropriate screws / fixings for each situation.
- Profile lip if applicable to be installed to room side.
- Electrical installations must be carried out according to Silent Gliss wiring diagrams and conform to local regulations.
- Check space for cables and plugs!

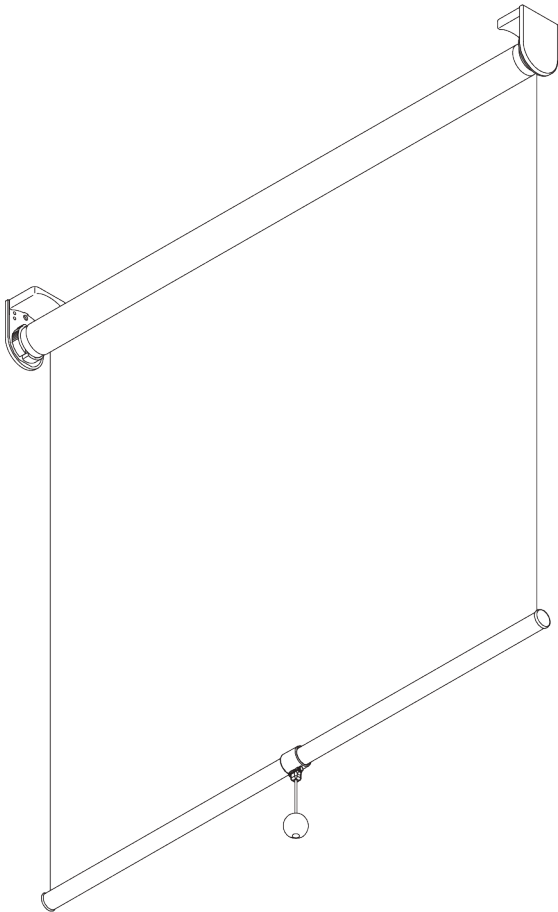
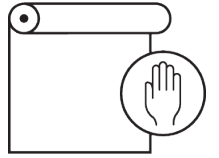
Child Safety

- All relevant Silent Gliss systems correspond to child safety EN 13120.
- All parties involved must comply with EN 13120.

APPLICATION CHART

<u>PAGE</u>	<u>SYSTEM</u>	<u>OPERATION</u>	<u>DIMENSION</u>	← max. →	↑ max. ↓	kg _{max.}
5	SG 4900		S - M	2 m	3 m	2.2 kg
15	SG 4905		S	1.6 m	3 m	1.3 kg
23	SG 4907		S	1.8 m	2.8 m	2.5 kg
31	SG 4910		S - M	2.4 m	3 m	3 kg
47	SG 4930		M - L	3.4 m	5 m	7 kg
61	SG 4840		L	5 m	6 m	12.5 kg
71	SG 4955		S - M	2.4 m	4 m	2.5 kg
79	SG 4960		S - M	2.4 m	4 m	5.5 kg
101	SG 4970		M - L	3.4 m	5 m	10 kg
117	SG 4880		L	5 m	12 m	23 kg

SG 4900



PRODUCT INFORMATION

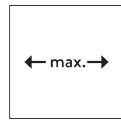
- **Operation:** spring
- **Range:** S - M
- **Fitting:** ceiling, wall, recess
- **Colours:** white RAL 9016; special colours or anodised aluminum possible
- **Fabrics:** refer to Silent Gliss fabric collection

Features:

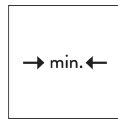
- Speed controller for controlled ascent
- Stop clutch mechanism to stop at any position
- Click-in brackets
- Installation profile
- End stop controller

SYSTEM SPECIFICATIONS

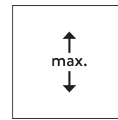
A. SYSTEM DIMENSIONS



2 m



30 cm



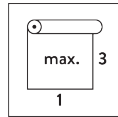
3 m



6 m²



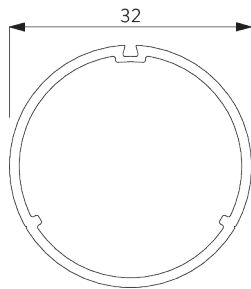
2.2 kg



Recommended width /
height ratio
max. 1:3

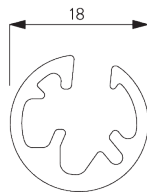
B. PROFILE

Profile information



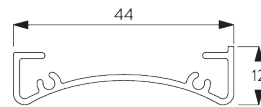
SG 4227

Tube ø 32 mm



SG 10872

Bottom bar

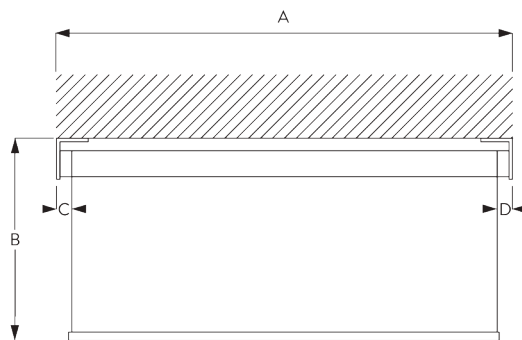


SG 10534

Installation profile

C. HOW TO MEASURE

incl. bracket covers



A: System width

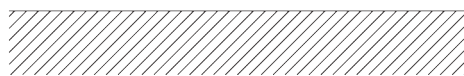
B: System height

C: Light gap left side: 15 mm

D: Light gap right side: 15 mm

Note:

All measurements include 2 mm for bracket cover per side!
These can be omitted to reduce side light gaps.



D. SPECIFICATION
TEXT

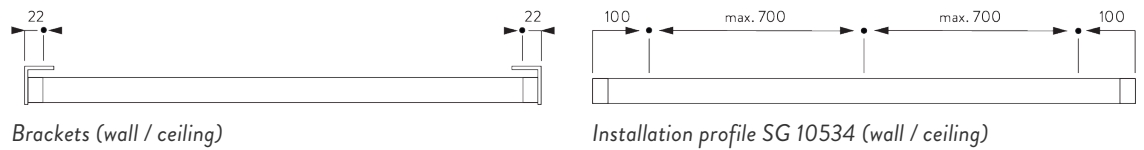
Silent Gliss SG 4900 Spring Operated Roller Blind System. Roller blind system for small to medium size blind applications up to 2.0m wide. Supplied made to measure and complete comprising anodised aluminium barrel SG 4227. Ceiling fix with brackets SG 10987 / SG 10989 / wall fix with brackets SG 10987 / SG 10990 / recess fix with brackets SG 10989 / SG 10991. Optional installation profile SG 10534. Available with optional stop controller SG 4377 to enable exact upper stop position of the blind (supplied as standard with fabric covered bottom bar). Assembled with powder coated white finish aluminium bottom weight bar SG 4221. Spring to be specified according to weight and characteristics of fabric. Fabric to be chosen from the Silent Gliss fabric range, Price Group 1R / 2R / 3R/4R.

FITTING

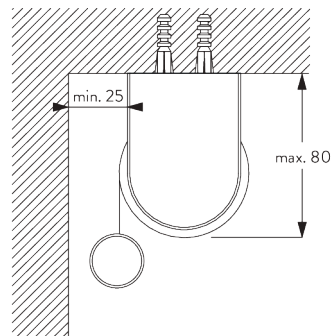
A. FITTING
INFORMATION

For detailed fitting information, visit the Silent Gliss website.

Fixing points



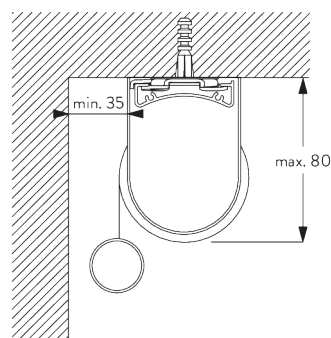
B. CEILING FITTING



Brackets

Bracket SG 10989: window rolling side of fabric or
Bracket SG 10991: room rolling side of fabric

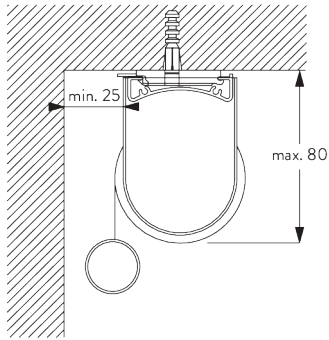
Bracket SG 10987



Installation profile SG 10534 and clamp SG 3044

Bracket SG 10989: window rolling side of fabric or
Bracket SG 10991: room rolling side of fabric

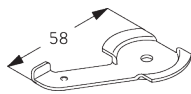
Bracket SG 10987



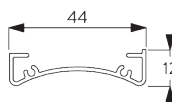
Installation profile SG 10534 and click bracket SG 10539

Bracket SG 10989: window rolling side of fabric or
 Bracket SG 10991: room rolling side of fabric

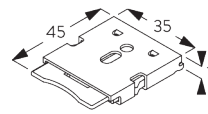
Bracket SG 10987



SG 3044
Clamp



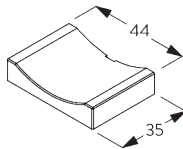
SG 10534
Installation profile



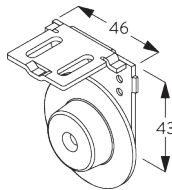
SG 10539
Bracket



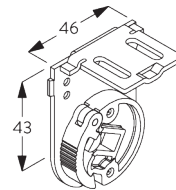
SG 10574
Bracket cover



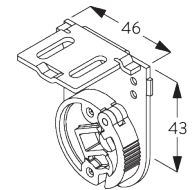
SG 10575
Bracket cover



SG 10987
Bracket

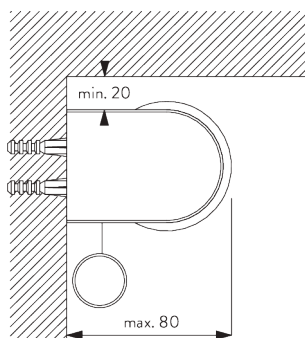


SG 10989
Bracket



SG 10991
Bracket

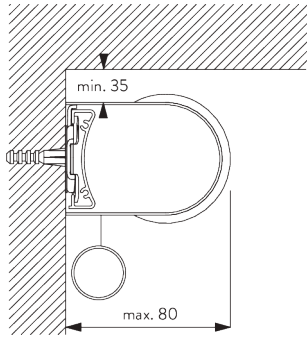
C. WALL FITTING



Brackets

Bracket SG 10990: window rolling side of fabric or
 Bracket SG 10992: room rolling side of fabric

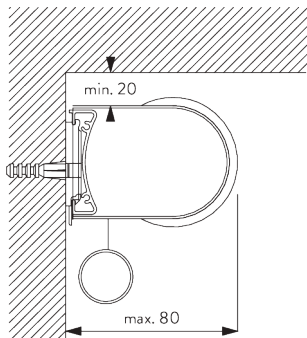
Bracket SG 10987



Installation profile SG 10534 and clamp SG 3044

Bracket SG 10990: window rolling side of fabric or
Bracket SG 10992: room rolling side of fabric

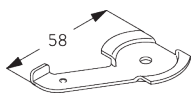
Bracket SG 10987



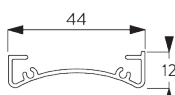
Installation profile SG 10534 and click bracket SG 10539

Bracket SG 10990: window rolling side of fabric or
Bracket SG 10992: room rolling side of fabric

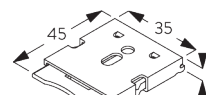
Bracket SG 10987



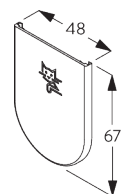
SG 3044
Clamp



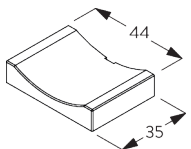
SG 10534
Installation profile



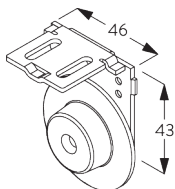
SG 10539
Bracket



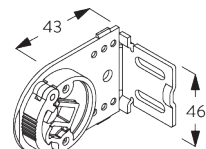
SG 10574
Bracket cover



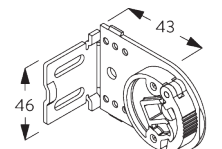
SG 10575
Bracket cover



SG 10987
Bracket

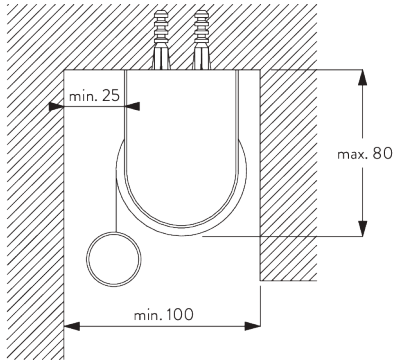


SG 10990
Bracket



SG 10992
Bracket

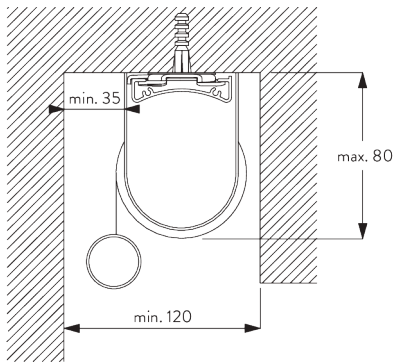
D. RECESS FITTING



Brackets

*Bracket SG 10989: window rolling side of fabric or
Bracket SG 10991: room rolling side of fabric*

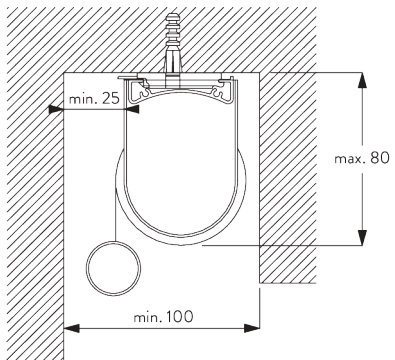
Bracket SG 10987



Installation profile SG 10534 and clamp SG 3044

*Bracket SG 10989: window rolling side of fabric or
Bracket SG 10991: room rolling side of fabric*

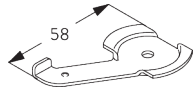
Bracket SG 10987



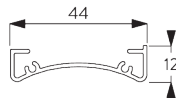
Installation profile SG 10534 and click bracket SG 10539

*Bracket SG 10989: window rolling side of fabric or
Bracket SG 10991: room rolling side of fabric*

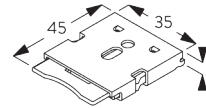
Bracket SG 10987



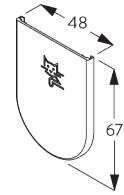
SG 3044
Clamp



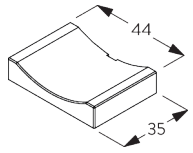
SG 10534
Installation profile



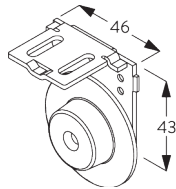
SG 10539
Bracket



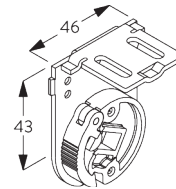
SG 10574
Bracket cover



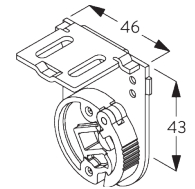
SG 10575
Bracket cover



SG 10987
Bracket



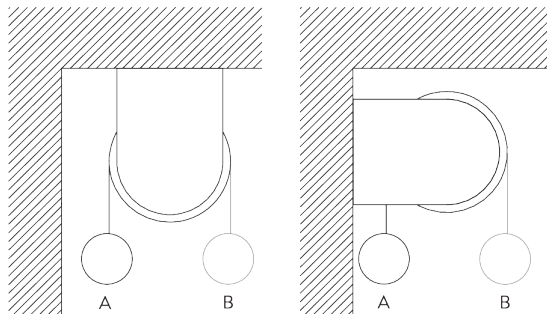
SG 10989
Bracket



SG 10991
Bracket

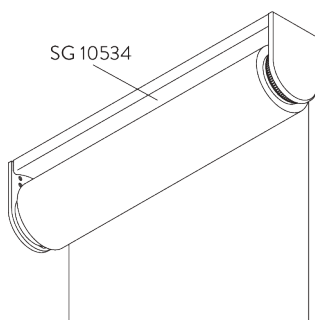
SYSTEM OPTIONS

A. FABRIC ROLL-OFF

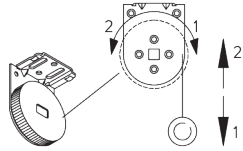


A: Fabric roll-off window side (standard)
B: Fabric roll-off room side (option)

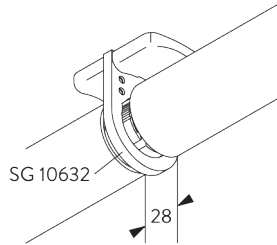
B. INSTALLATION PROFILE



C. ADJUSTABLE END STOP



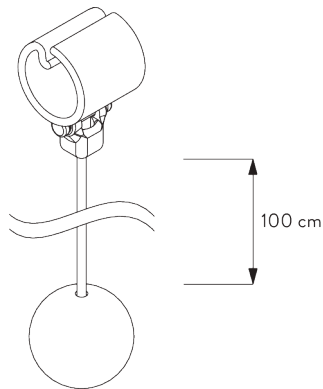
D. TWO SINGLE SYSTEMS SIDE-BY-SIDE



Additional parts:

- 1x SG 10632 Connection bracket cover

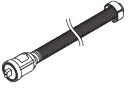
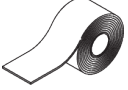

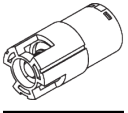
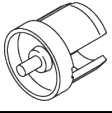

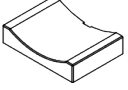



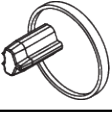


E. CHILD SAFETY PULL BALL SET




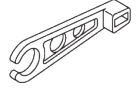
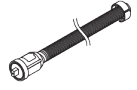
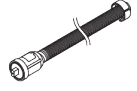
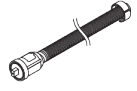
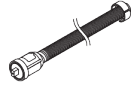
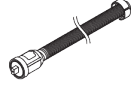
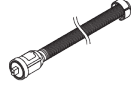

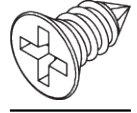
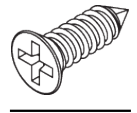

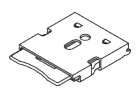

Child safety pull ball set SG 10765

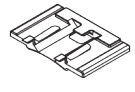


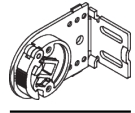

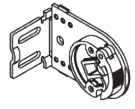
PARTS

A. STANDARD PARTS

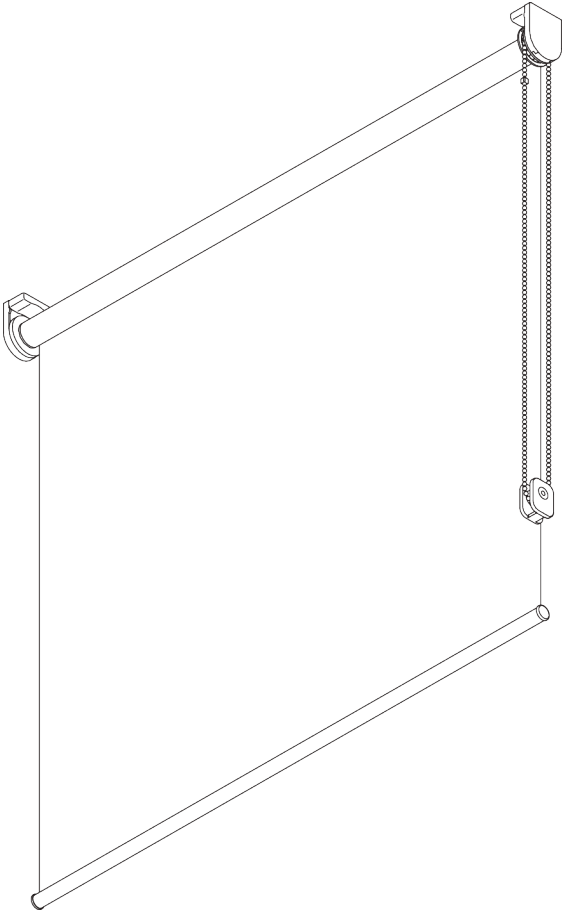
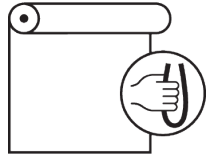
	SG 4214 Spring C 552 mm
	SG 4226 Double tape 30 mm
	SG 4227 Tube ø 32 mm
	SG 4228 Speed controller right
	SG 4231 Tube adapter
	SG 10574 Bracket cover
	SG 10575 Bracket cover
	SG 10668 PVC strip 10 mm
	SG 10765 Child safety pull ball
	SG 10872 Bottom bar
	SG 10874 End cover
	SG 10987 Bracket
	SG 10989 Bracket

B. OPTIONAL PARTS

	SG 3044 Clamp
	SG 4211 Winder
	SG 4212 Spring A 365 mm
	SG 4213 Spring B 442 mm
	SG 4215 Spring D 612 mm
	SG 4216 Spring E 502 mm
	SG 4217 Spring F 612 mm
	SG 4218 Spring Y-2 198 mm
	SG 4377 End stop
	SG 10139 Countersunk screw 2.9x6.5
	SG 10498 Countersunk screw 2.9x9.5
	SG 10534 Installation profile
	SG 10539 Bracket
	SG 10632 Connection bracket cover

	SG 10690 Spacer
	SG 10707 End stop
	SG 10988 Bracket end stop
	SG 10990 Bracket
	SG 10991 Bracket
	SG 10992 Bracket

SG 4905



PRODUCT INFORMATION

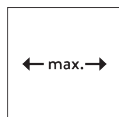
- **Operation:** chain
- **Range:** S
- **Fitting:** ceiling, wall, recess
- **Colours:** 20 colours plus silver
- **Fabrics:** refer to Silent Gliss fabric collection

Features:

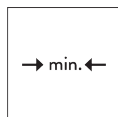
- Stainless steel bead chain
- Click-in brackets

SYSTEM SPECIFICATIONS

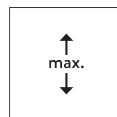
A. SYSTEM DIMENSIONS



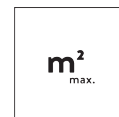
1.6 m



25 cm



3 m



4.8 m²



1.3 kg

Maximum system drop

Wall fitting (system drop on window side)

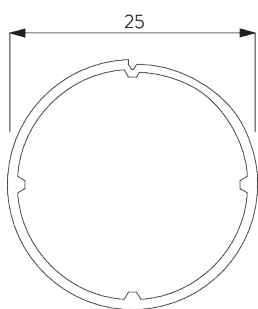
Fabric thickness	mm	0.15	0.20	0.25	0.30	0.35	0.40	0.45	0.50	0.55
Max. system drop	cm	300	300	300	300	290	260	240	210	190

Ceiling fitting / wall fitting (system drop on room side)

Fabric thickness	mm	0.15	0.20	0.25	0.30	0.35	0.40	0.45	0.50	0.55
Max. system drop	cm	300	300	300	300	300	300	290	260	240

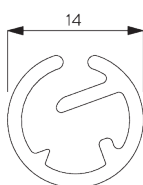
B. PROFILE

Profile information



SG 10533

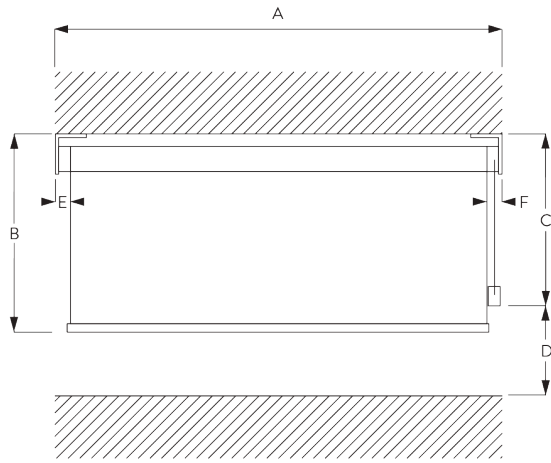
Tube ø 25 mm



SG 10687

Bottom bar

**C. HOW TO
MEASURE**



- A: System width
- B: System height
- C: Chain height
- D: Safety Retainer SG 10731 min. 150 cm above floor
- E: Light gap: 16 mm
- F: Light gap operation side: 21 mm

**D. SPECIFICATION
TEXT**

Silent Gliss SG 4905 Chain Operated Roller Blind System. Roller blind system for small to medium size blind applications up to 1.6m wide. Supplied made to measure and complete comprising anodised aluminium barrel SG 10533. Fixed to wall/ceiling/inside recess with brackets SG 10679 / SG 10680 and covers SG 10683 / SG 10684. Assembled with powder coated aluminium bottom weight bar SG 10687. All plastic parts are supplied colour matched to 27 Colorama colours, or silver. Compliant to Child Safety legislation EN 13120. SG 4905 only supplied with fabric Colorama 1 or Colorama 2.

FITTING

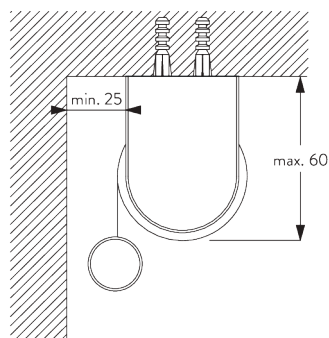
**A. FITTING
INFORMATION**

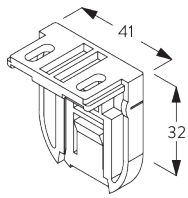
For detailed fitting information, visit the Silent Gliss website, login section.

Fixing points

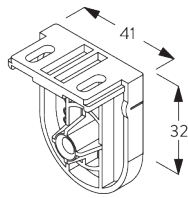


B. CEILING FITTING

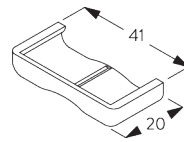




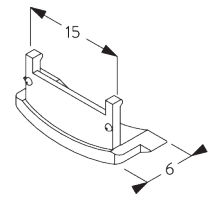
SG 10679
Bracket



SG 10680
Bracket

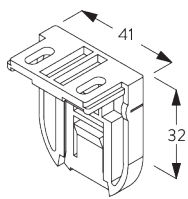
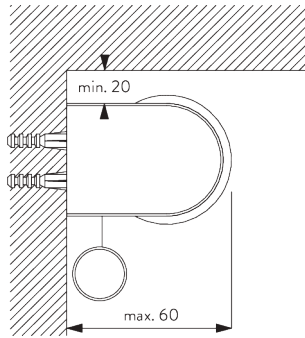


SG 10683
Bracket cover

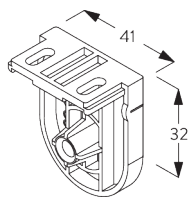


SG 10684
Cover

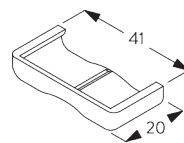
C. WALL FITTING



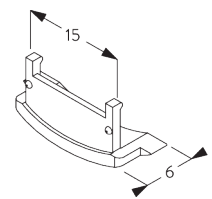
SG 10679
Bracket



SG 10680
Bracket

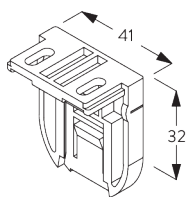
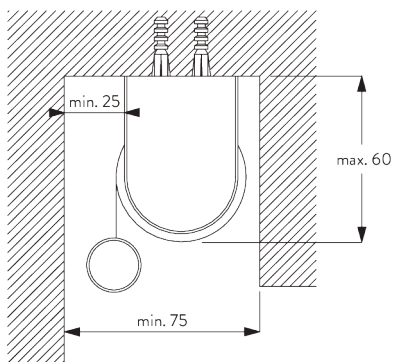


SG 10683
Bracket cover

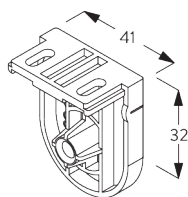


SG 10684
Cover

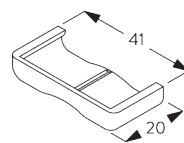
D. RECESS FITTING



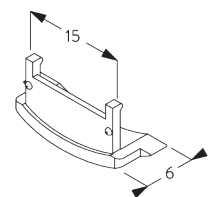
SG 10679
Bracket



SG 10680
Bracket

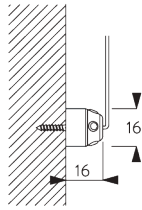
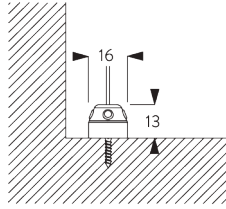


SG 10683
Bracket cover

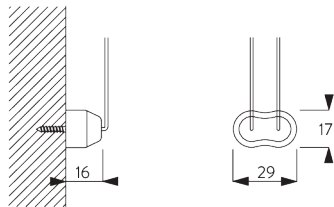
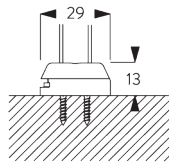


SG 10684
Cover

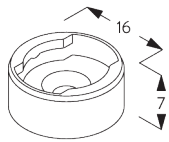
**E. FITTING WITH
SIDE GUIDE
OPTION**



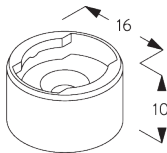
Single system



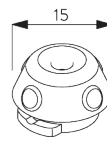
Double system (side-by-side installation)



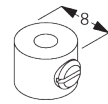
SG 8235
Side guide wire base short



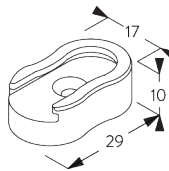
SG 8236
Side guide wire base long



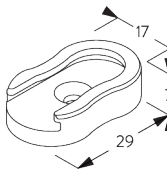
SG 8237
Side guide wire holder



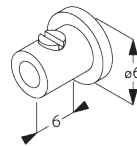
SG 8249
Side guide device



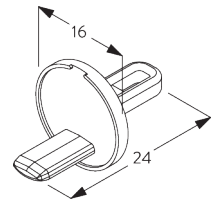
SG 10669
Side guide double base long



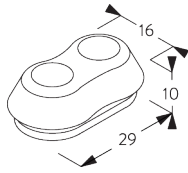
SG 10673
Side guide double base short



SG 10676
Device

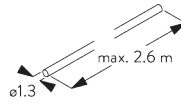


SG 10686
Side guide end cover



SG 10701

Side guide double wire holder

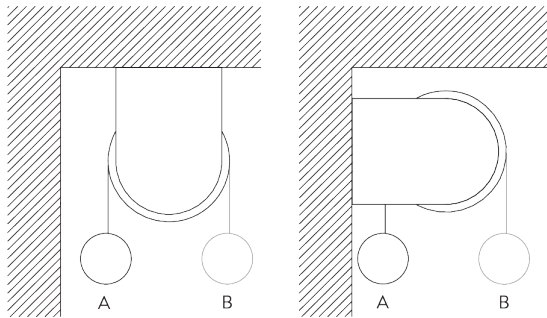


SG 10706

Side guide wire ø 1.3 mm x 2.6 m

SYSTEM OPTIONS

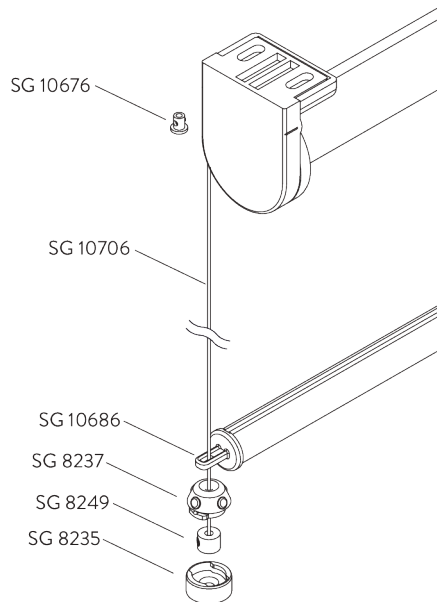
A. FABRIC ROLL-OFF



A: Fabric roll-off window side (standard)

B: Fabric roll-off room side (option)

B. SIDE GUIDES



Additional parts:

- 2x SG 8235 Side guide wire base short
- 2x SG 8237 Side guide wire holder
- 2x SG 8249 Side guide device
- 2x SG 10676 Device
- 2x SG 10686 Side guide end cover
- 2x SG 10706 Side guide wire ø 1.3 mm x 2.6 m

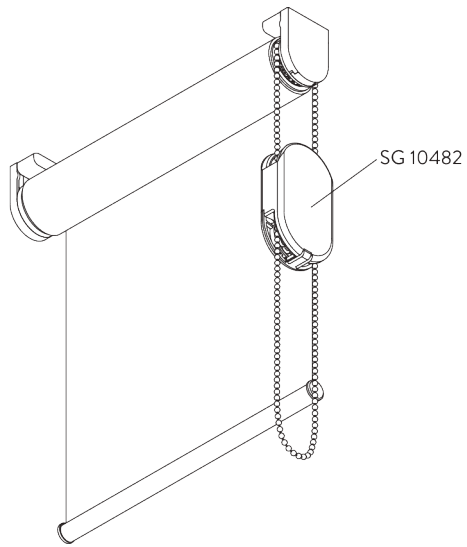
Optional parts:

- 2x SG 8236 Side guide wire base long
- 2x SG 10643 Side guide wire ø 1.3 mm x 4.2 m
- 1x SG 10669 Side guide double base long
- 1x SG 10673 Side guide double base short
- 1x SG 10701 Side guide double wire holder

Note:

- Light gaps increase when side-guide option is used
- Up to 15° from vertical

**C. CHILD SAFETY
DEVICE**

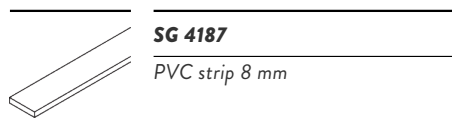


The child safety device SG 10482 releases the chain should the pulling force exceed 6 kg.

*Note:
System to be installed so chain loop of child safety device ends at least 60 cm above floor.*

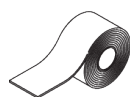
PARTS

A. STANDARD PARTS



SG 4187

PVC strip 8 mm



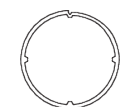
SG 4226

Double tape 30 mm



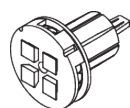
SG 10530

Bead chain metal ø 4 mm



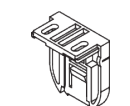
SG 10533

Tube ø 25 mm



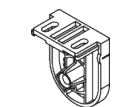
SG 10670

Chain drive, up to 1.3 kg fabric weight



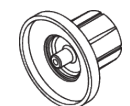
SG 10679

Bracket



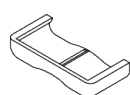
SG 10680

Bracket



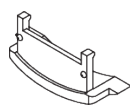
SG 10681

Tube adapter



SG 10683

Bracket cover



SG 10684

Cover



SG 10685

End cover



SG 10687

Bottom bar



SG 10731

Child safety retainer set

B. OPTIONAL PARTS



SG 8235

Side guide wire base short



SG 8236

Side guide wire base long



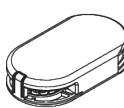
SG 8237

Side guide wire holder



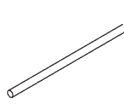
SG 8249

Side guide device



SG 10482

Child safety device set metal chain ø 4.0 mm



SG 10643

Side guide wire ø 1.3 mm x 4.2 m



SG 10669

Side guide double base long



SG 10673

Side guide double base short



SG 10676

Device



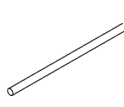
SG 10686

Side guide end cover



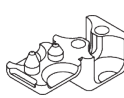
SG 10701

Side guide double wire holder



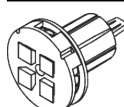
SG 10706

Side guide wire ø 1.3 mm x 2.6 m



SG 10709

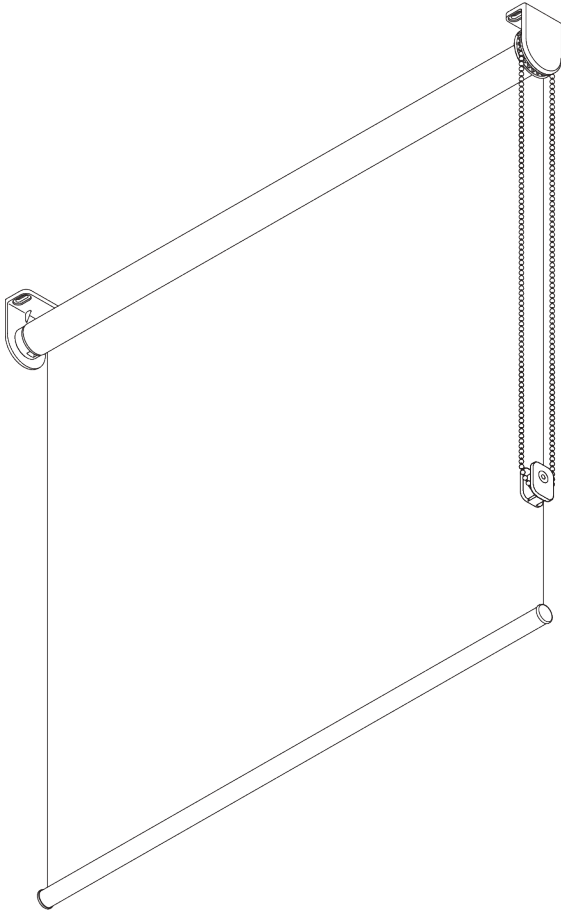
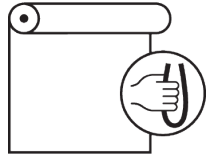
Chain stop for ø 4 mm chain



SG 10710

Chain drive, up to 0.5 kg fabric weight

SG 4907



PRODUCT INFORMATION

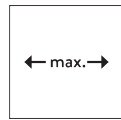
- **Operation:** chain
- **Range:** S
- **Fitting:** ceiling, wall, recess
- **Colours:** white RAL 9016 or grey RAL 7035, special colours possible
- **Fabrics:** refer to Silent Gliss fabric collection

Features:

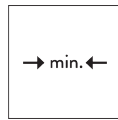
- Stainless steel bead chain
- Identical (left / right) metal click-in brackets
- Installation profile

SYSTEM SPECIFICATIONS

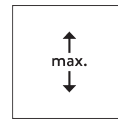
A. SYSTEM DIMENSIONS



1.8 m



50 cm



2.8 m



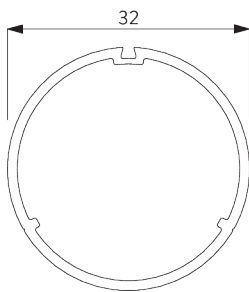
5 m²



2.5 kg

B. PROFILE

Profile information



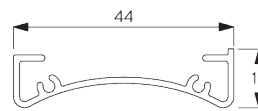
SG 4227

Tube ø 32 mm



SG 10872

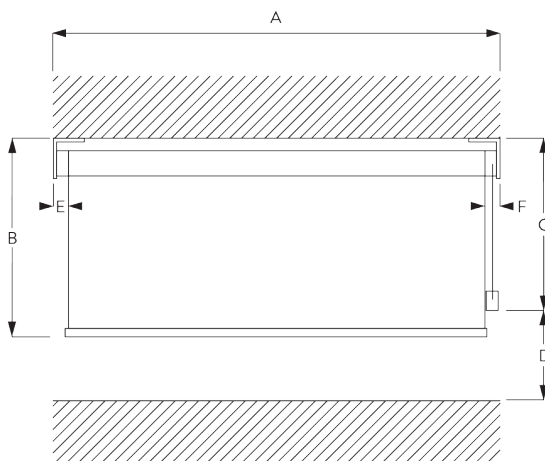
Bottom bar



SG 10534

Installation profile

C. HOW TO MEASURE



A: System width

B: System height

C: Chain height

D: Safety Retainer SG 10731 min. 150 cm above floor

E: Light gap: 17 mm

F: Light gap operation side: 17 mm

D. SPECIFICATION TEXT

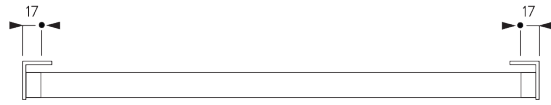
Silent Gliss SG 4907 Chain Operated Roller Blind System. Roller blind system for medium size blind applications up to 1.8m wide. Supplied made to measure and complete comprising anodised aluminium barrel SG 4227. Fixed to wall/ceiling/inside recess with brackets SG 10873. Assembled with powder coated aluminium bottom weight bar SG 10872 in white/grey. Compliant to Child Safety legislation EN 13120. Fabric to be chosen from the Silent Gliss fabric range, Price Group 1R / 2R / 3R.

FITTING

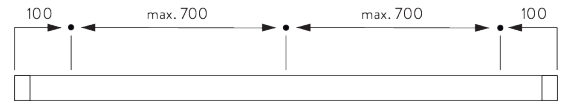
A. FITTING INFORMATION

For detailed fitting information, visit the Silent Gliss website.

Fixing points

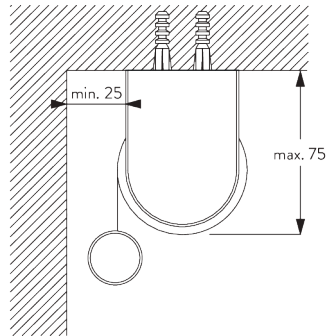


Brackets (wall / ceiling)

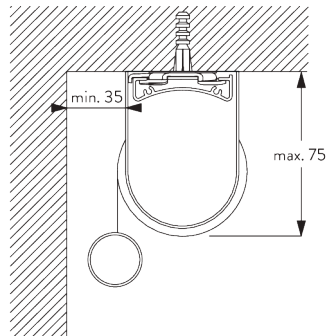


Installation profile SG 10534 (wall / ceiling)

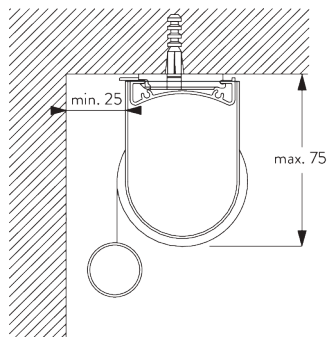
B. CEILING FITTING



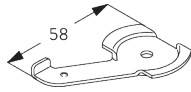
Brackets SG 10873



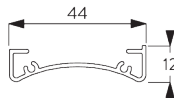
Installation profile SG 10534, brackets SG 11198 and clamp SG 3044



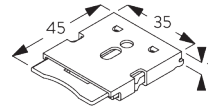
Installation profile SG 10534, brackets SG 11198 and click bracket SG 10539



SG 3044
Clamp



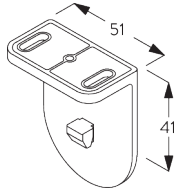
SG 10534
Installation profile



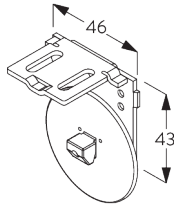
SG 10539
Bracket



SG 10574
Bracket cover

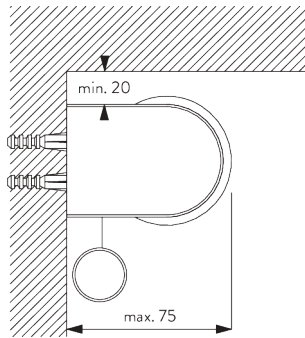


SG 10873
Bracket

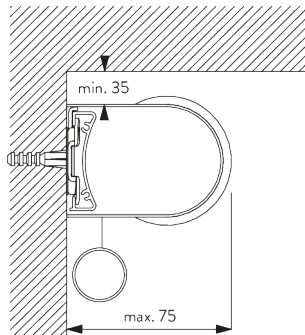


SG 11198
Bracket

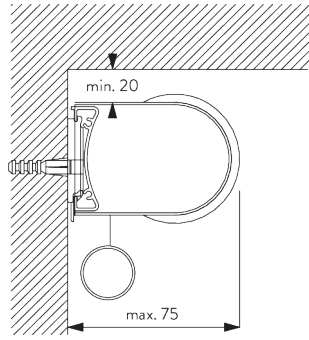
C. WALL FITTING



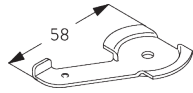
Brackets SG 10873



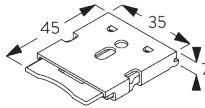
Installation profile SG 10534, brackets SG 11198 and clamp SG 3044



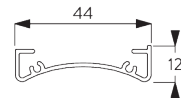
Installation profile SG 10534, brackets SG 11198 and click bracket SG 10539



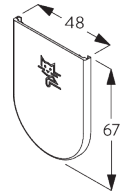
SG 3044
Clamp



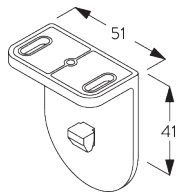
SG 10539
Bracket



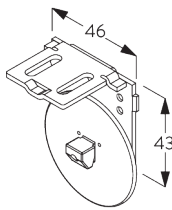
SG 10534
Installation profile



SG 10574
Bracket cover

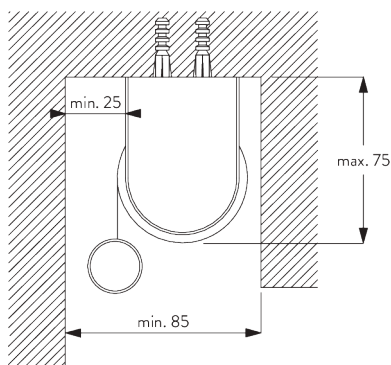


SG 10873
Bracket

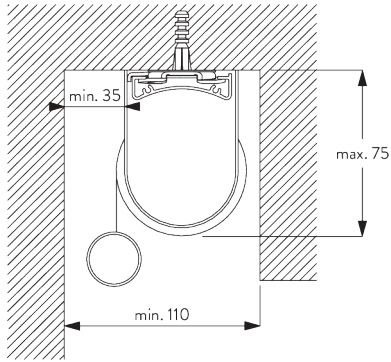


SG 11198
Bracket

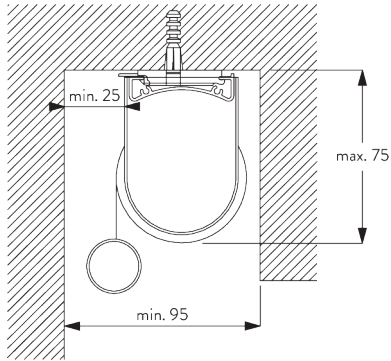
D. RECESS FITTING



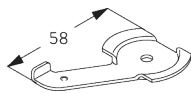
Brackets SG 10873



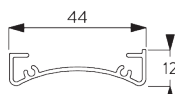
Installation profile SG 10534, brackets SG 11198 and clamp SG 3044



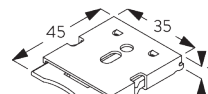
Installation profile SG 10534, brackets SG 11198 and click bracket SG 10539



SG 3044
Clamp



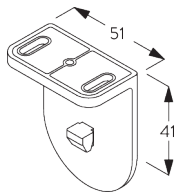
SG 10534
Installation profile



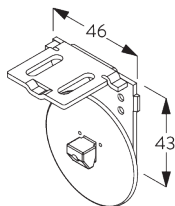
SG 10539
Bracket



SG 10574
Bracket cover



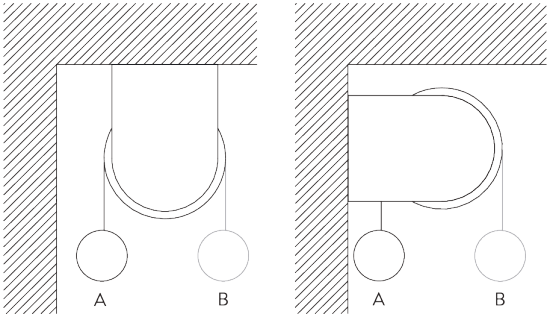
SG 10873
Bracket



SG 11198
Bracket

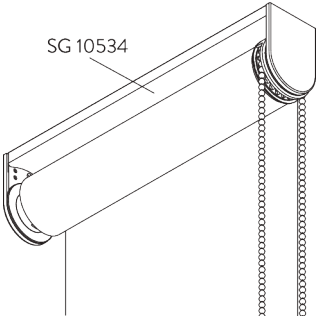
SYSTEM OPTIONS

A. FABRIC ROLL-OFF



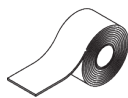
A: Fabric roll-off window side (standard)
B: Fabric roll-off room side (option)

B. INSTALLATION PROFILE



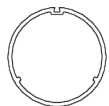
PARTS

A. STANDARD PARTS



SG 4226

Double tape 30 mm



SG 4227

Tube ø 32 mm



SG 4234

PVC strip 12 mm



SG 4845

Bead chain metal ø 4.5 mm



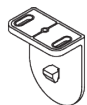
SG 10731

Child safety retainer set



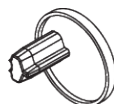
SG 10872

Bottom bar



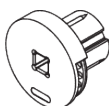
SG 10873

Bracket



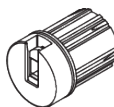
SG 10874

End cover



SG 10880

Chain drive



SG 10885

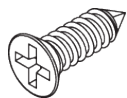
Tube adapter

B. OPTIONAL PARTS



SG 3044

Clamp



SG 10498

Countersunk screw 2.9x9.5



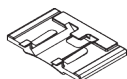
SG 10534

Installation profile



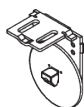
SG 10574

Bracket cover



SG 10690

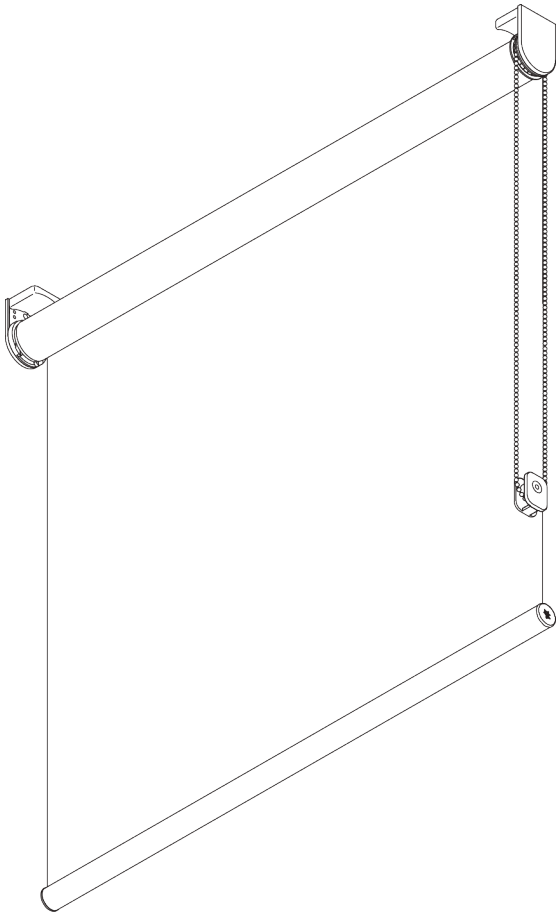
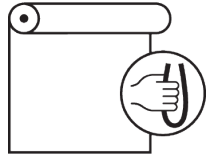
Spacer



SG 11198

Bracket

SG 4910



PRODUCT INFORMATION

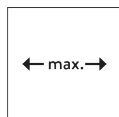
- **Operation:** chain
- **Range:** S - M
- **Fitting:** ceiling, wall, recess
- **Colours:** white RAL 9016, grey RAL 7035, black RAL 9005; special colours possible
- **Fabrics:** refer to Silent Gliss fabric collection

Features:

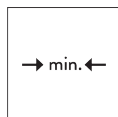
- Spring assisted, effortless operation
- 1-to-1 gear drive
- Stainless steel bead chain
- Click-in brackets, Fascia, box, installation profile
- End stop controller

SYSTEM SPECIFICATIONS

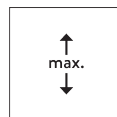
A. SYSTEM DIMENSIONS



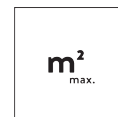
2.4 m



25 cm*,
Fascia / Box: 60 cm
*25 - 60 cm only with
installation profile
SG 10534



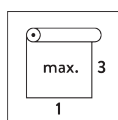
3 m



7.2 m²



3 kg



Recommended width /
height ratio
max. 1:3

Maximum system drop

Wall fitting (system drop on window side):

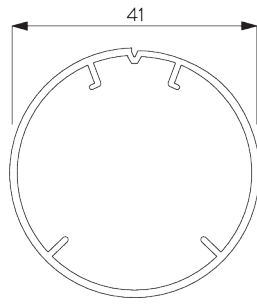
Fabric thickness	mm	0.15	0.20	0.25	0.30	0.35	0.40	0.45	0.50	0.55	0.60	0.65	0.70	0.75	0.80
Max. system drop	cm	300	300	300	300	300	300	300	300	300	290	270	250	230	220

Ceiling fitting / wall fitting (system drop on room side):

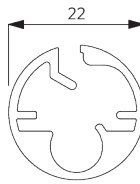
Fabric thickness	mm	0.15	0.20	0.25	0.30	0.35	0.40	0.45	0.50	0.55	0.60	0.65	0.70	0.75	0.80
Max. system drop	cm	300	300	300	300	300	300	300	300	300	300	300	300	300	280

B. PROFILE

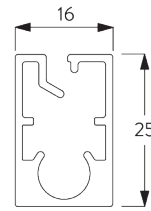
Profile information



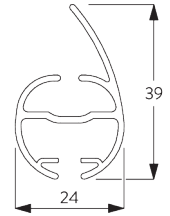
SG 10531
Tube ø 41 mm



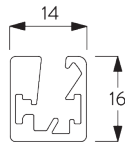
SG 10760
Bottom bar



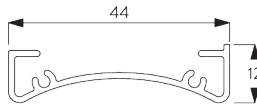
SG 10770
Bottom bar



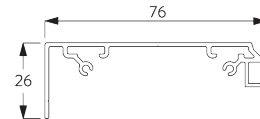
SG 4903
Bottom bar



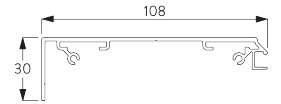
SG 11442
Bottom bar



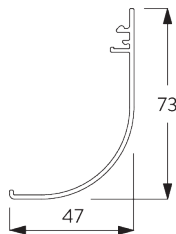
SG 10534
Installation profile



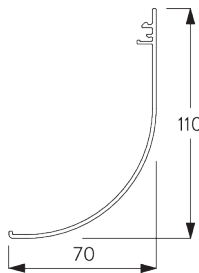
SG 11430
Installation profile fascia 73 mm



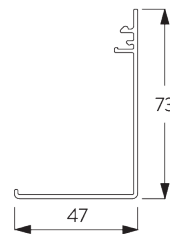
SG 11530
Installation profile fascia 110 mm



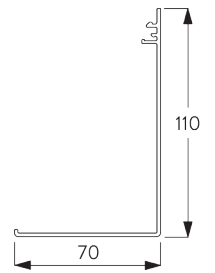
SG 11431
Fascia round 73 mm



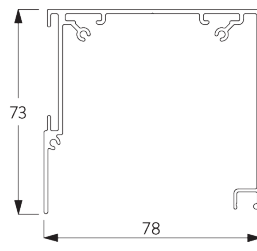
SG 11531
Fascia round 110 mm



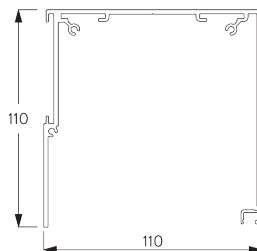
SG 11432
Fascia square 73 mm



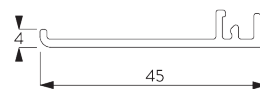
SG 11532
Fascia square 110 mm



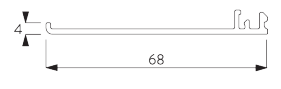
SG 11433
Box case 73 mm



SG 11533
Box case 110 mm



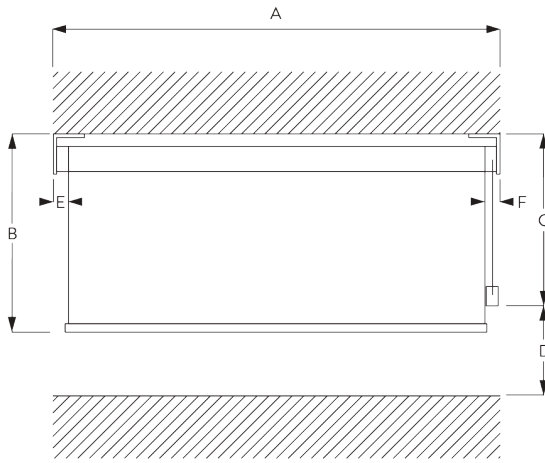
SG 11434
Box cover 73 mm



SG 11534
Box cover 110 mm

C. HOW TO MEASURE

incl. bracket covers

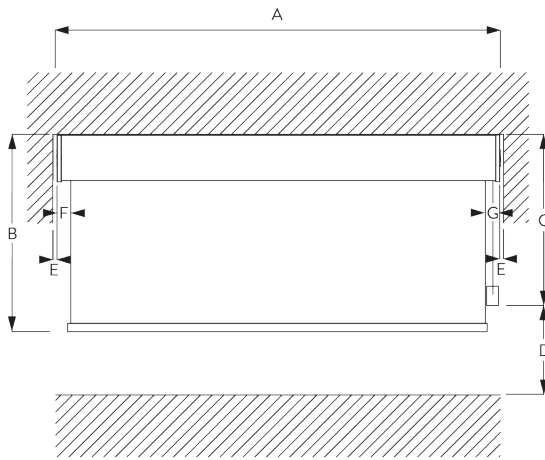


- A: System width
- B: System height
- C: Chain height
- D: Safety Retainer SG 10731 min. 150 cm above floor
- E: Light gap: 13 mm
- F: Light gap operation side: 18 mm

Note:

All measurements include 2 mm for bracket cover per side!
These can be omitted to reduce side light gaps.

Fascia / Box



- A: System width
- B: System height
- C: Chain height
- D: Safety Retainer SG 10731 min. 150 cm above floor
- E: Gap: min. 10 mm (when cover is used)
- F: Light gap: 15 mm
- G: Light gap operation side: 21 mm

D. SPECIFICATION TEXT

Silent Gliss SG 4910 Chain Operated Roller Blind System. Roller blind system for medium to large size blind applications up to 2.4m wide. Supplied made to measure and complete comprising anodised aluminium barrel SG 10531 with counterbalancing spring and planetary gear set ensuring light, precise movement. Fixed to wall / ceiling/inside recess with brackets SG 10542 / SG 10543 and bracket covers SG 10574 / SG 10575. Optional installation profile SG 10534. Assembled with powder coated white finish aluminium bottom weight bar SG 10760 as standard (other shape options available). Optional adjustable end stop SG 10559 / SG 10560 allows upper or lower stop limit setting. Compliant to Child Safety legislation EN 13120. Fabric to be chosen from the Silent Gliss fabric range, Price Group 1R / 2R / 3R.

FITTING

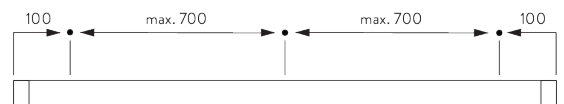
A. FITTING INFORMATION

For detailed fitting information, visit the Silent Gliss website.

Fixing points

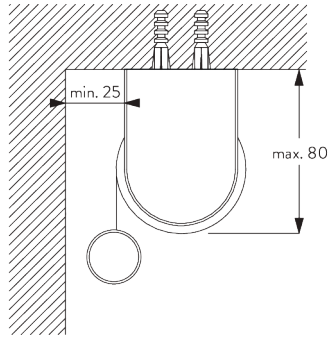


Brackets (wall / ceiling)

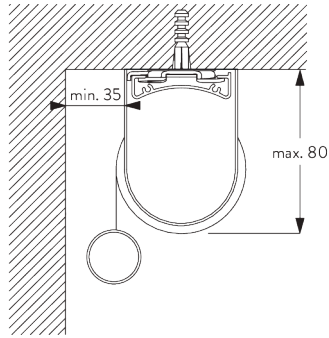


Fascia / box & installation profile SG 10534 (wall / ceiling)

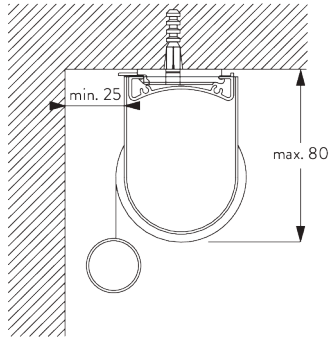
B. CEILING FITTING



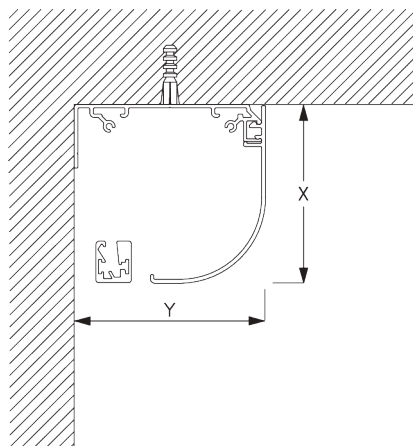
Brackets



Installation profile SG 10534 and clamp SG 3044



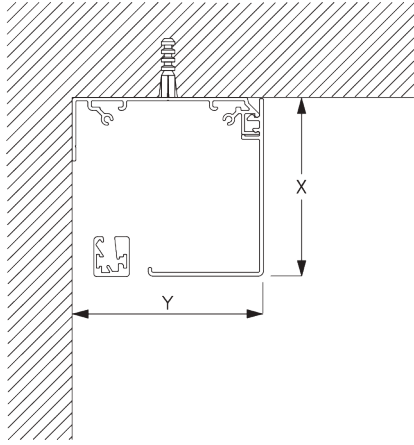
Installation profile SG 10534 and click bracket SG 10539



Fascia round

X = Fascia S 73 mm / Fascia L 110 mm

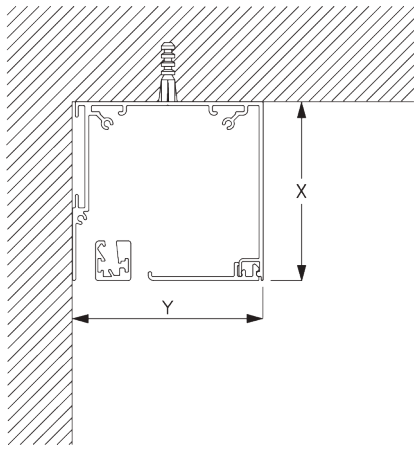
Y = Fascia S 78 mm / Fascia L 110 mm



Fascia square

X = Fascia S 73 mm / Fascia L 110 mm

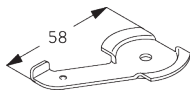
Y = Fascia S 78 mm / Fascia L 110 mm



Box

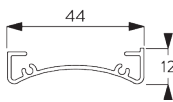
X = Box S 73 mm / Box L 110 mm

Y = Box S 78 mm / Box L 110 mm



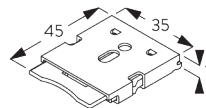
SG 3044

Clamp



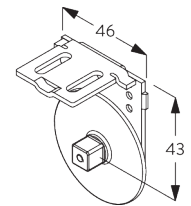
SG 10534

Installation profile



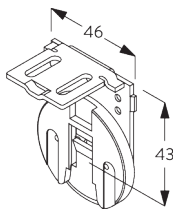
SG 10539

Bracket



SG 10542

Bracket



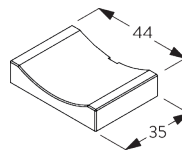
SG 10543

Bracket



SG 10574

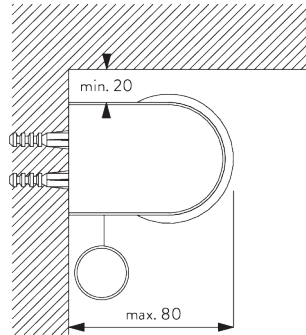
Bracket cover



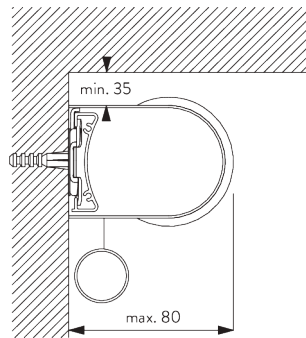
SG 10575

Bracket cover

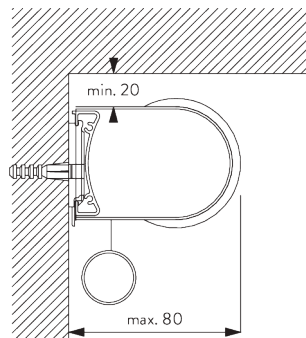
C. WALL FITTING



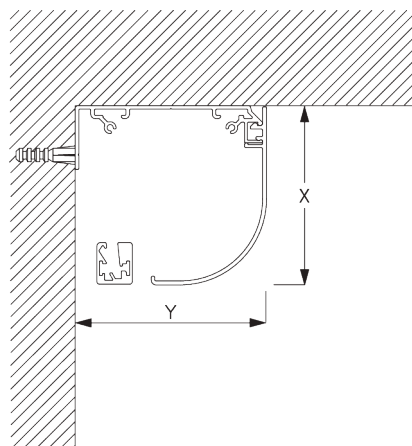
Brackets



Installation profile SG 10534 and clamp SG 3044



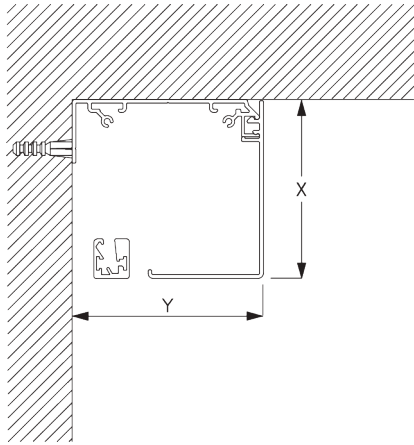
Installation profile SG 10534 and click bracket SG 10539



Fascia round

X = Fascia S 73 mm / Fascia L 110 mm

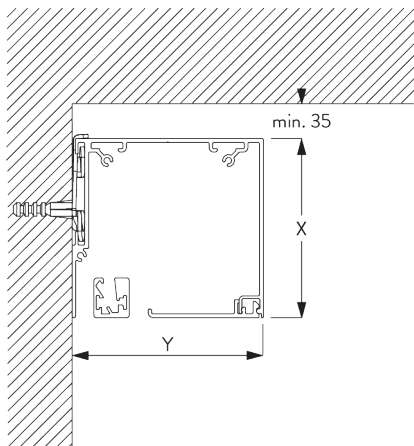
Y = Fascia S 78 mm / Fascia L 110 mm



Fascia square

X = Fascia S 73 mm / Fascia L 110 mm

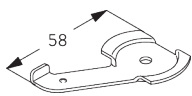
Y = Fascia S 78 mm / Fascia L 110 mm



Box S and clamp SG 3044 / Box L and clamp SG 11180

X = Box S 73 mm / Box L 110 mm

Y = Box S 78 mm / Box L 110 mm



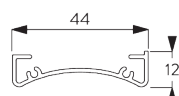
SG 3044

Clamp



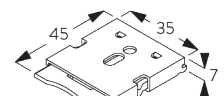
SG 11180

Clamp



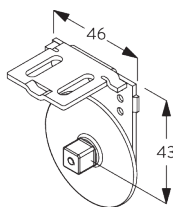
SG 10534

Installation profile



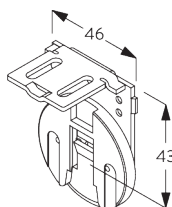
SG 10539

Bracket



SG 10542

Bracket



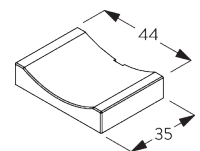
SG 10543

Bracket



SG 10574

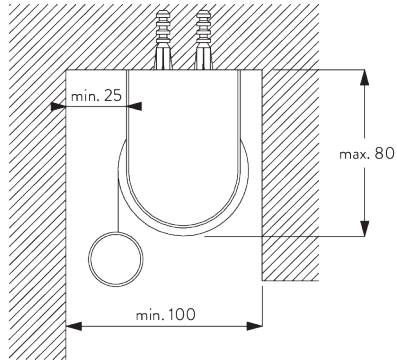
Bracket cover



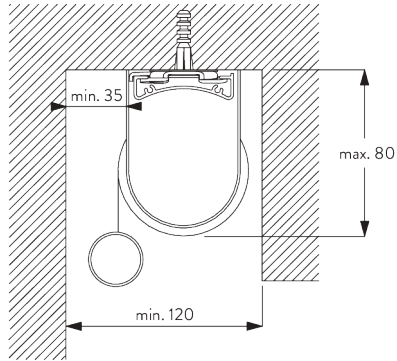
SG 10575

Bracket cover

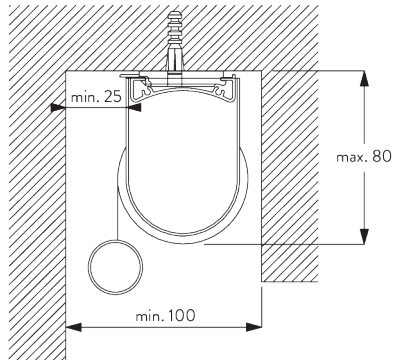
D. RECESS FITTING



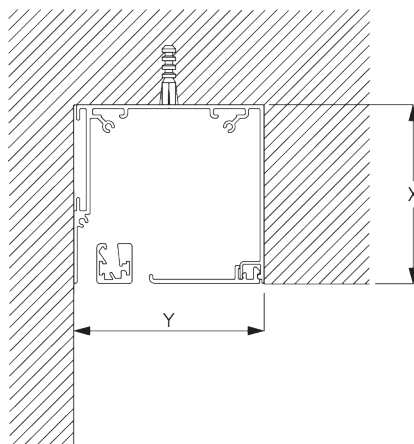
Brackets



Installation profile SG 10534 and clamp SG 3044



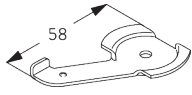
Installation profile SG 10534 and click bracket SG 10539



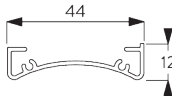
Box

X = Box S 73 mm / Box L 110 mm

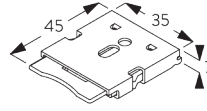
Y = Box S min. 79 mm / Box L min. 111 mm



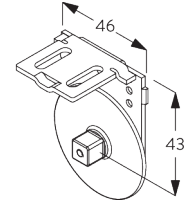
SG 3044
Clamp



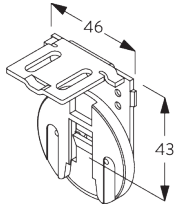
SG 10534
Installation profile



SG 10539
Bracket



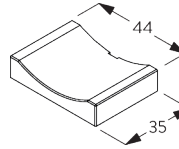
SG 10542
Bracket



SG 10543
Bracket

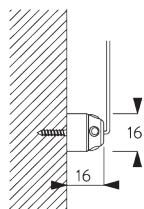
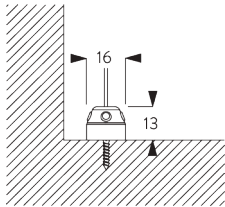


SG 10574
Bracket cover

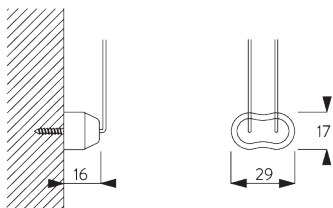
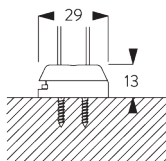


SG 10575
Bracket cover

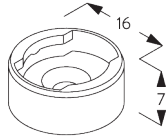
**E. FITTING WITH
SIDE GUIDE
OPTION**



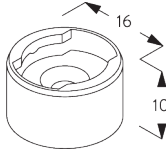
Single system



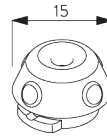
Double system (side-by-side installation)



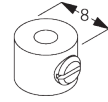
SG 8235
Side guide wire base short



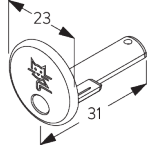
SG 8236
Side guide wire base long



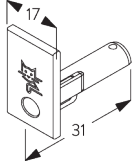
SG 8237
Side guide wire holder



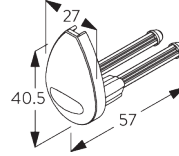
SG 8249
Side guide device



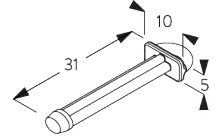
SG 10762
Side guide end cover



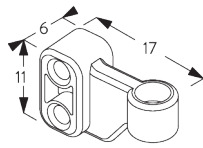
SG 10772
Side guide end cover



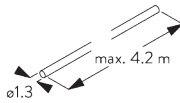
SG 4944
Side guide end cover



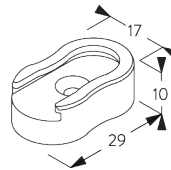
SG 10641
Side guide eyelet



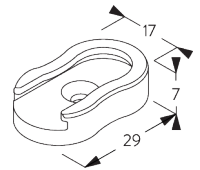
SG 10642
Side guide wire holder



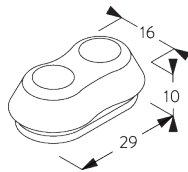
SG 10643
Side guide wire ø 1.3 mm x 4.2 m



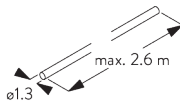
SG 10669
Side guide double base long



SG 10673
Side guide double base short



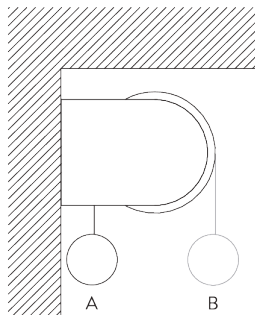
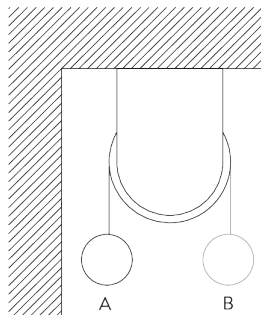
SG 10701
Side guide double wire holder



SG 10706
Side guide wire ø 1.3 mm x 2.6 m

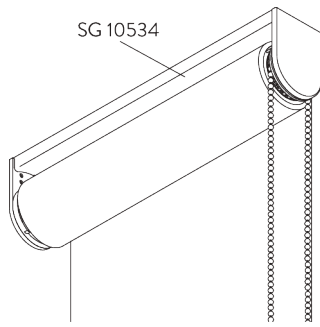
SYSTEM OPTIONS

A. FABRIC ROLL-OFF

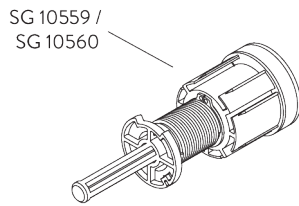


A: Fabric roll-off window side (standard)
B: Fabric roll-off room side (option)

B. INSTALLATION PROFILE

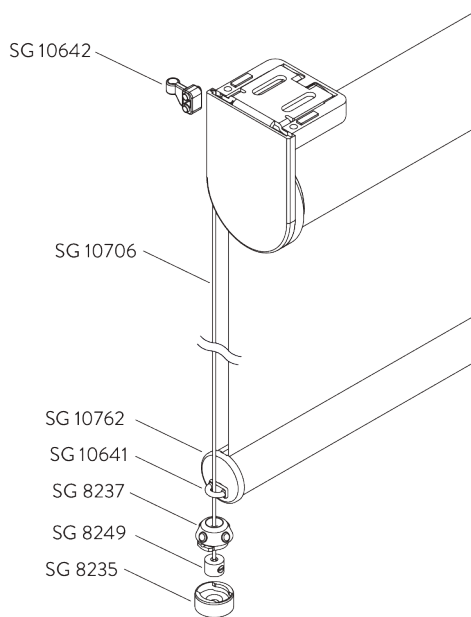


C. ADJUSTABLE END STOP



Setting of upper or lower end position.

D. SIDE GUIDES



Additional parts:

- 2x SG 8235 Side guide wire base short
- 2x SG 8237 Side guide wire holder
- 2x SG 8249 Side guide device
- 2x SG 10762 Side guide end cover round
- 2x SG 10641 Side guide eyelet
- 2x SG 10642 Side guide wire holder
- 2x SG 10706 Side guide wire \varnothing 1.3 mm x 2.6 m

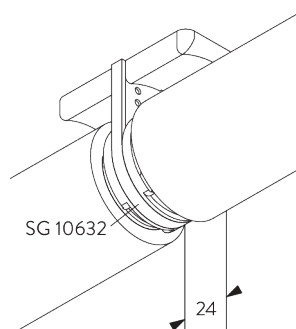
Optional parts:

- 2x SG 8236 Side guide wire base long
- 2x SG 10772 Side guide end cover square
- 2x SG 10643 Side guide wire \varnothing 1.3 mm x 4.2 m
- 1x SG 10669 Side guide double base long
- 1x SG 10673 Side guide double base short
- 1x SG 10701 Side guide double wire holder

Note:

- Light gaps increase when side-guide option is used
- Up to 15° from vertical

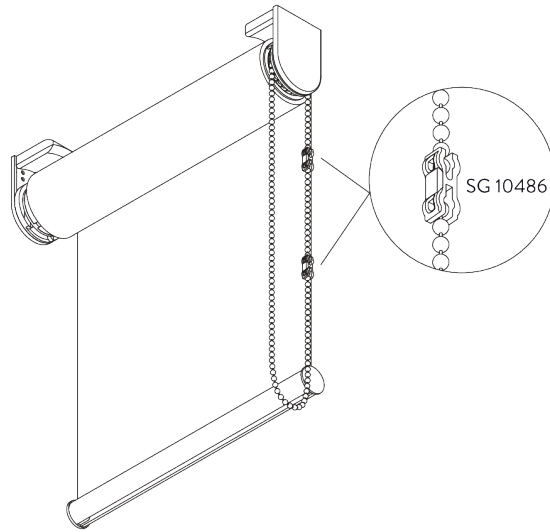
E. TWO SINGLE SYSTEMS SIDE-BY- SIDE



Additional parts:

- 1x SG 10632 Connection bracket cover

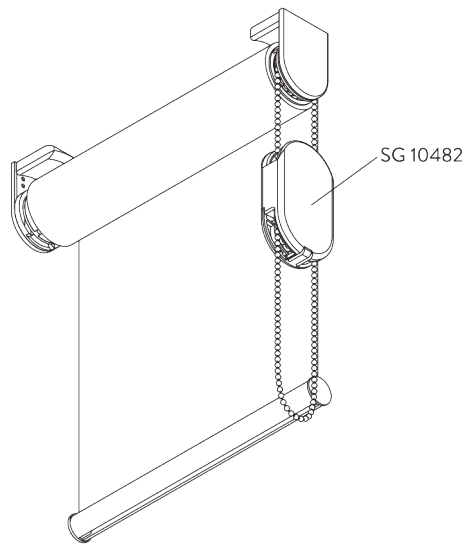
F. CHILD SAFETY



The chain break connector SG 10486 releases the chain should the pulling force exceed 6 kg.

Note:

- System to be installed so chain loop ends at least 60 cm above floor.

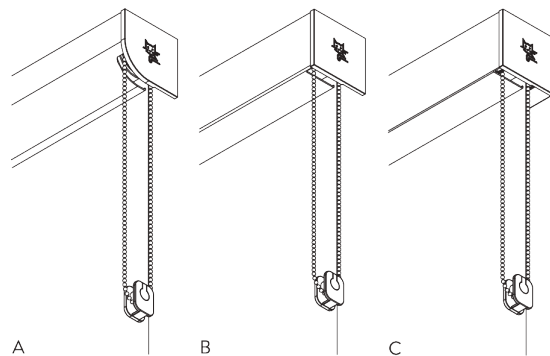


The child safety device SG 10482 releases the chain should the pulling force exceed 6 kg.

Note:

- System to be installed so chain loop of child safety device ends at least 60 cm above floor.

G. FASCIA / BOX



A: Fascia round
B: Fascia square
C: Box

Size:

- S: 78 x 73 mm
- L: 110 x 110 mm

Note:

- Only applicable with bottom bar SG 11442

PARTS

A. STANDARD PARTS



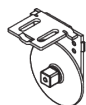
SG 4226
Double tape 30 mm



SG 10530
Bead chain metal ø 4 mm



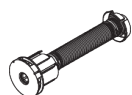
SG 10531
Tube ø 41 mm



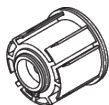
SG 10542
Bracket



SG 10543
Bracket



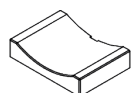
SG 10547
Spring C left, 641 mm



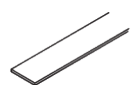
SG 10556
Tube adapter



SG 10574
Bracket cover



SG 10575
Bracket cover



SG 10668
PVC strip 10 mm



SG 10731
Child safety retainer set



SG 10760
Bottom bar



SG 10761
End cover

B. OPTIONAL PARTS



SG 3044
Clamp



SG 4903
Bottom bar



SG 8235
Side guide wire base short



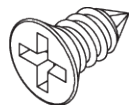
SG 8236
Side guide wire base long



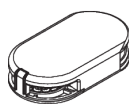
SG 8237
Side guide wire holder



SG 8249
Side guide device



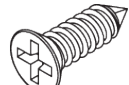
SG 10139
Countersunk screw 2.9x6.5



SG 10482
Child safety device set metal chain ø 4.0 mm



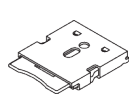
SG 10486
Child safety chain break connector set



SG 10498
Countersunk screw 2.9x9.5



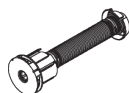
SG 10534
Installation profile



SG 10539
Bracket



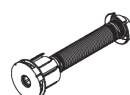
SG 10545
Spring A left, 420 mm



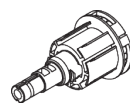
SG 10546
Spring B left, 487 mm



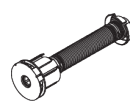
SG 10548
Spring D left, 721 mm



SG 10549
Spring E left, 824 mm



SG 10550
Chain drive



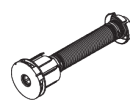
SG 10551
Spring A right, 420 mm



SG 10552
Spring B right, 487 mm



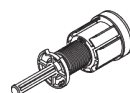
SG 10553
Spring C right, 641 mm



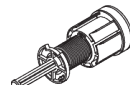
SG 10554
Spring D right, 721 mm



SG 10555
Spring E right, 824 mm



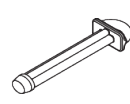
SG 10559
End stop left threads



SG 10560
End stop right threads



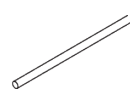
SG 10632
Connection bracket cover



SG 10641
Side guide eyelet



SG 10642
Side guide wire holder



SG 10643
Side guide wire ø 1.3 mm x 4.2 m



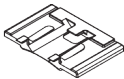
SG 10669

Side guide double base long



SG 10673

Side guide double base short



SG 10690

Spacer



SG 10697

Spring F left, 921 mm



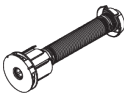
SG 10698

Spring G left, 921 mm



SG 10699

Spring F right, 921 mm



SG 10700

Spring G right, 921 mm



SG 10701

Side guide double wire holder



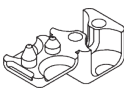
SG 10706

Side guide wire ø 1.3 mm x 2.6 m



SG 10707

End stop



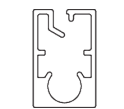
SG 10709

Chain stop for ø 4 mm chain



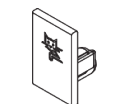
SG 10762

Side guide end cover



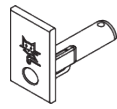
SG 10770

Bottom bar



SG 10771

End cover



SG 10772

Side guide end cover



SG 11178

End cover



SG 11180

Clamp



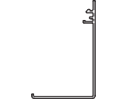
SG 11430

Installation profile fascia 73 mm



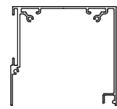
SG 11431

Fascia round 73 mm



SG 11432

Fascia square 73 mm



SG 11433

Box case 73 mm



SG 11434

Box cover 73 mm



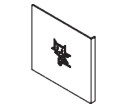
SG 11437

Bracket cover round left 73 mm



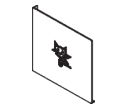
SG 11438

Bracket cover round right 73 mm



SG 11439

Bracket cover square left 73 mm



SG 11440

Bracket cover square right 73 mm



SG 11442

Bottom bar



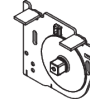
SG 11443

End cover



SG 11446

Bracket left 73 mm



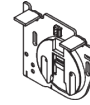
SG 11447

Bracket right 73 mm



SG 11448

Bracket left 73 mm



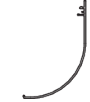
SG 11449

Bracket right 73 mm



SG 11530

Installation profile fascia 110 mm



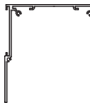
SG 11531

Fascia round 110 mm



SG 11532

Fascia square 110 mm



SG 11533

Box case 110 mm



SG 11534

Box cover 110 mm



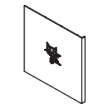
SG 11537

Bracket cover round left 110 mm



SG 11538

Bracket cover round right 110 mm



SG 11539

Bracket cover square left 110 mm



SG 11540

Bracket cover square right 110 mm



SG 11546

Bracket left 110 mm



SG 11547

Bracket right 110 mm



SG 11548

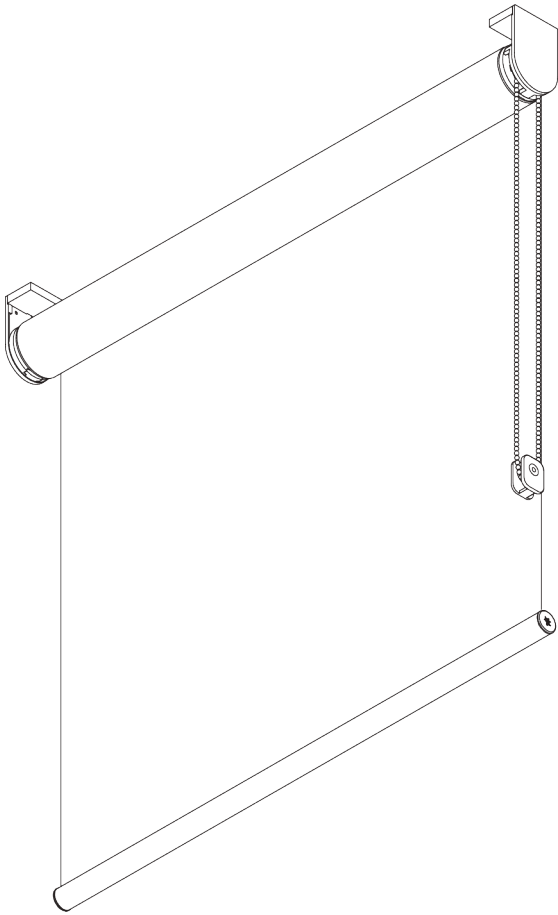
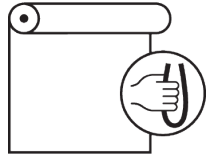
Bracket left 110 mm



SG 11549

Bracket right 110 mm

SG 4930



PRODUCT INFORMATION

- **Operation:** chain
- **Range:** M - L
- **Fitting:** ceiling, wall, recess
- **Colours:** white RAL 9016, grey RAL 7035, black RAL 9005; special colours possible
- **Fabrics:** refer to Silent Gliss fabric collection

Features:

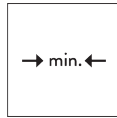
- 5-to-1 gear drive
- Stainless steel bead chain
- Two connected systems
- Click-in brackets
- Fascia, box, installation profile

SYSTEM SPECIFICATIONS

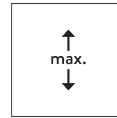
A. SYSTEM DIMENSIONS



Single system: 3.4 m
Double system: 6.8 m



65 cm



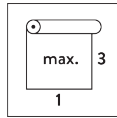
5 m



Single system: 17 m²
Double system: 30 m²



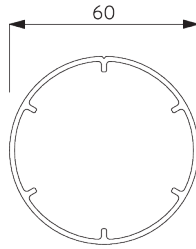
7 kg



Recommended width /
height ratio
max. 1:3

B. PROFILE

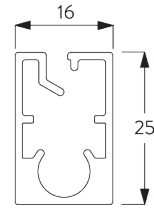
Profile information



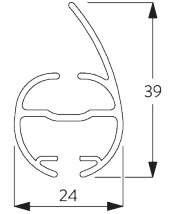
SG 11037
Tube ø 60 mm



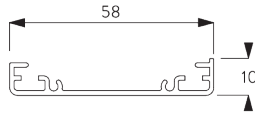
SG 10760
Bottom bar



SG 10770
Bottom bar



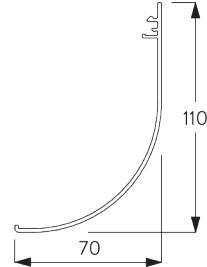
SG 4903
Bottom bar



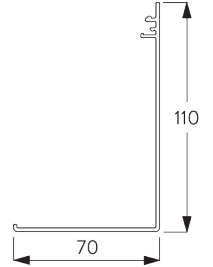
SG 11181
Installation profile



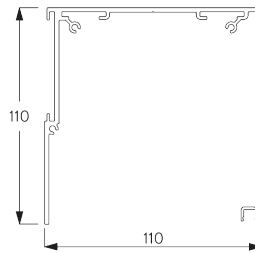
SG 11530
Installation profile fascia 110 mm



SG 11531
Fascia round 110 mm



SG 11532
Fascia square 110 mm



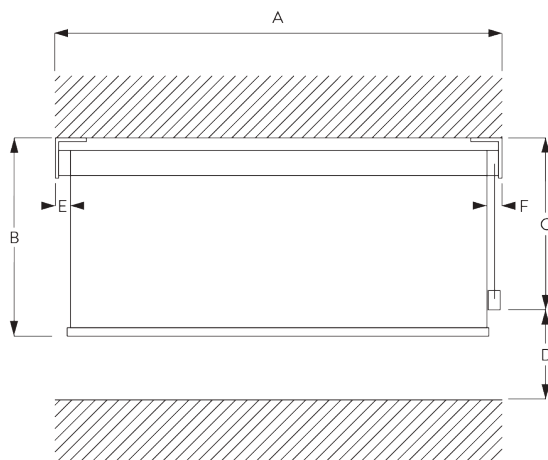
SG 11533
Box case 110 mm



SG 11534
Box cover 110 mm

C. HOW TO MEASURE

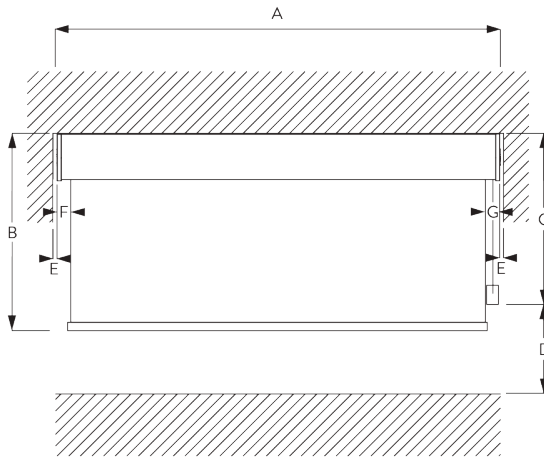
incl. bracket covers



- A: System width
- B: System height
- C: Chain height
- D: Safety Retainer SG 10731 min. 150 cm above floor
- E: Light gap: 18 mm
- F: Light gap operation side: 25 mm

Note:
All measurements include 2 mm for bracket cover per side!
These can be omitted to reduce side light gaps.

Fascia / Box



- A: System width
- B: System height
- C: Chain height
- D: Safety Retainer SG 10731 min. 150 cm above floor
- E: Gap: min. 10 mm (when cover is used)
- F: Light gap: 20 mm
- G: Light gap operation side: 27 mm

D. SPECIFICATION

TEXT

Silent Gliss SG 4930 Chain Operated Roller Blind System. Roller blind system for medium to large size blind applications up to 3.4m wide. Supplied made to measure and complete with barrel SG 11037 and planetary gear and integrated brake to ensure smooth operation and exact stop positions without slippage. Fixed to wall / ceiling / inside recess with SG 11172 / 11175 brackets with side cover SG 11173 to ensure neat appearance. Brackets and hardware in white / grey / black finish. Optional installation profile SG 11181 for easy installation with clamps SG 11180. Optional side guide wires. Double system option can be operated simultaneously by a single chain fitted with SG 11183 connecting bolt. Compliant to Child Safety legislation EN 13120. Fabric to be chosen from the Silent Gliss fabric range, Price Group 1R / 2R / 3R.

FITTING

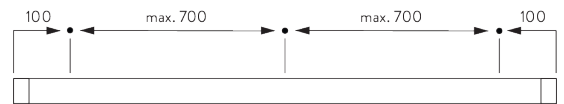
A. FITTING INFORMATION

For detailed fitting information, visit the Silent Gliss website.

Fixing points

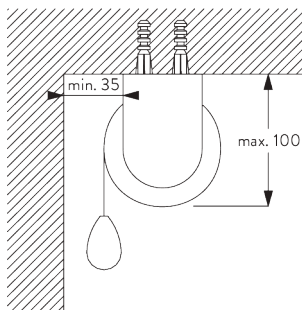


Brackets (wall / ceiling)

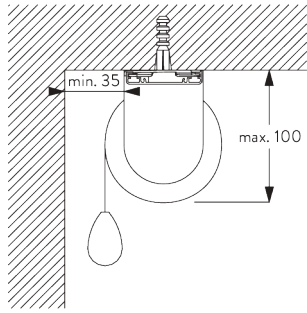


Fascia / box & installation profile SG 11181 (wall / ceiling)

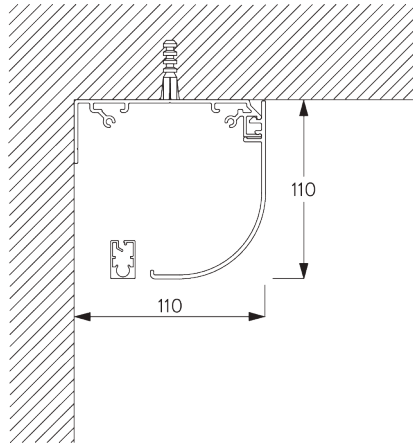
B. CEILING FITTING



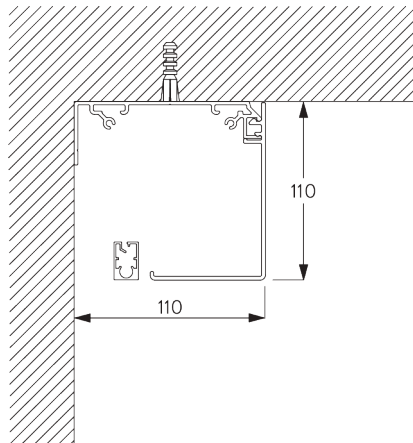
Brackets



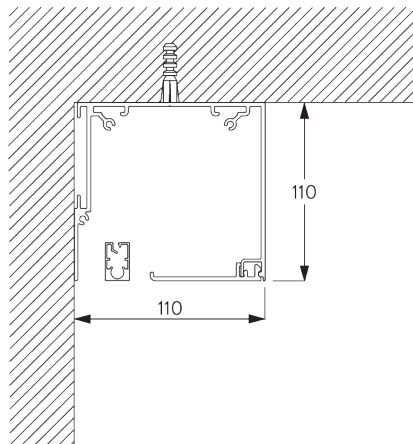
Installation profile SG 11181 and clamp SG 11180



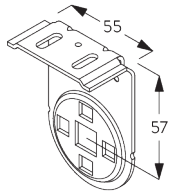
Fascia round



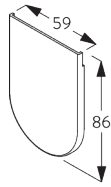
Fascia square



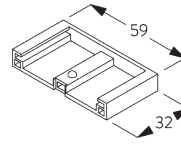
Box



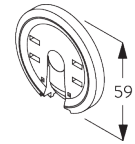
SG 11172
Bracket



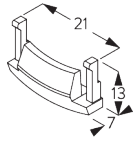
SG 11173
Bracket cover



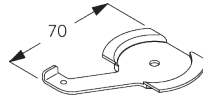
SG 11174
Bracket cover



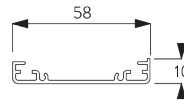
SG 11175
Click flange



SG 11179
Cover

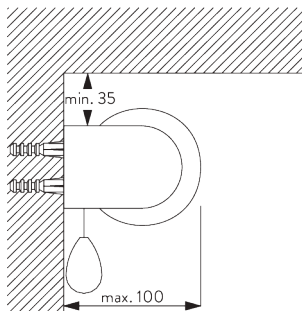


SG 11180
Clamp

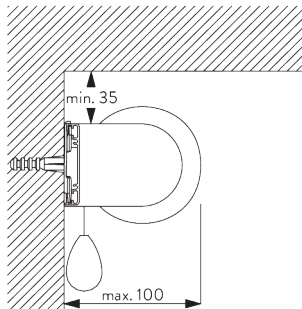


SG 11181
Installation profile

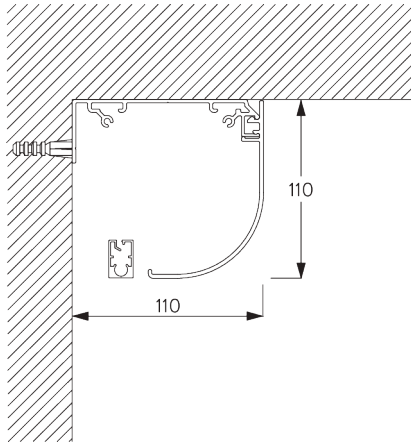
C. WALL FITTING



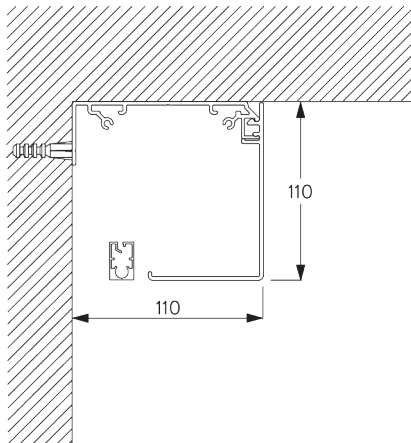
Brackets



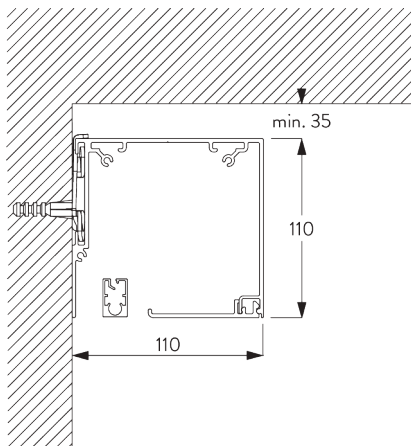
Installation profile SG 11181 and clamp SG 11180



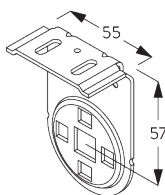
Fascia round



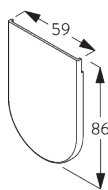
Fascia square



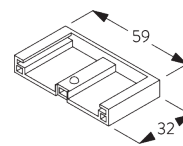
Box and clamp SG 11180



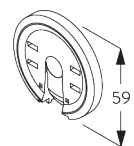
SG 11172
Bracket



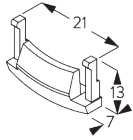
SG 11173
Bracket cover



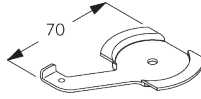
SG 11174
Bracket cover



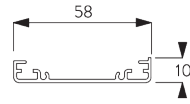
SG 11175
Click flange



SG 11179
Cover

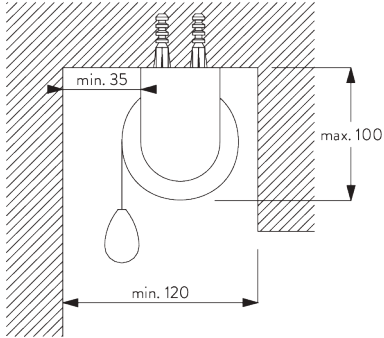


SG 11180
Clamp

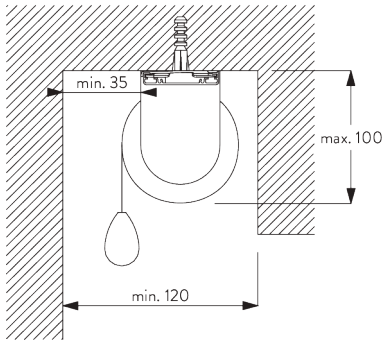


SG 11181
Installation profile

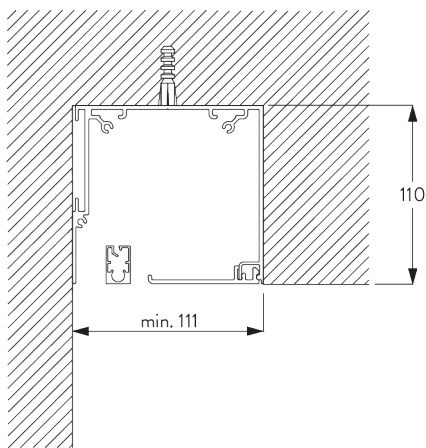
D. RECESS FITTING



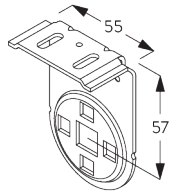
Brackets



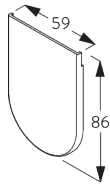
Installation profile SG 11181 and clamp SG 11180



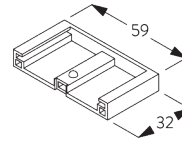
Box



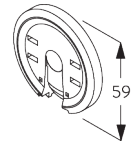
SG 11172
Bracket



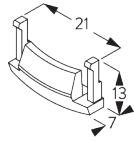
SG 11173
Bracket cover



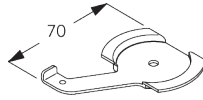
SG 11174
Bracket cover



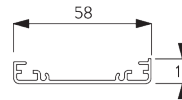
SG 11175
Click flange



SG 11179
Cover

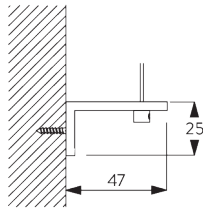


SG 11180
Clamp

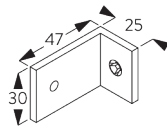


SG 11181
Installation profile

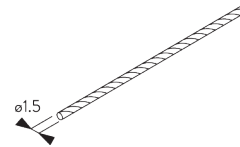
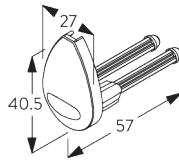
**E. FITTING WITH
SIDE GUIDE
OPTION**



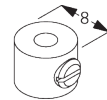
SG 3036
Bracket 47 mm



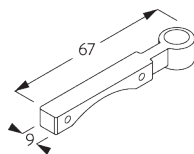
SG 4944
Side guide end cover



SG 4948
Side guide wire $\varnothing 1.5$ mm



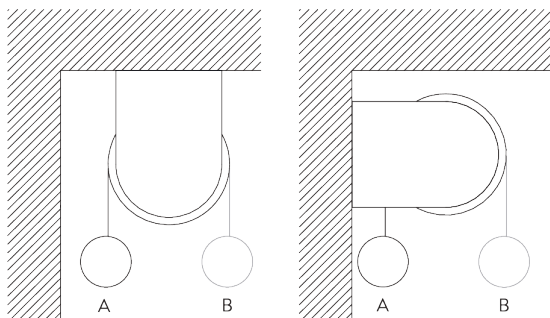
SG 8249
Side guide device



SG 11182
Side guide wire holder

SYSTEM OPTIONS

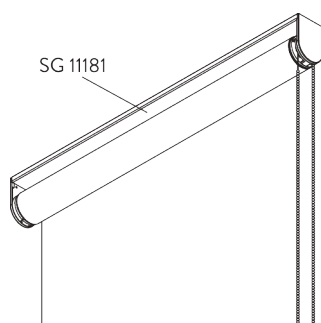
A. FABRIC ROLL-OFF



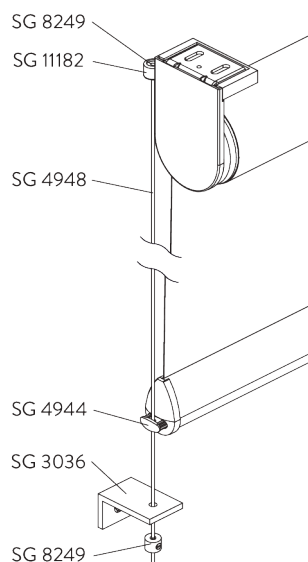
A: Fabric roll-off window side (standard)

B: Fabric roll-off room side (option)

B. INSTALLATION PROFILE



C. SIDE GUIDES



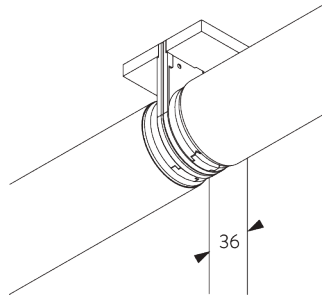
Additional parts:

- 2x SG 3036 Bracket
- 2x SG 4944 Side guide end cover
- 2x SG 4948 Side guide wire \varnothing 1.5 mm
- 4x SG 8249 Side guide device
- 2x SG 11182 Side guide wire holder

Note:

- Light gaps increase when side-guide option is used
- Up to 15° from vertical
- Only applicable with bottom bar SG 4903

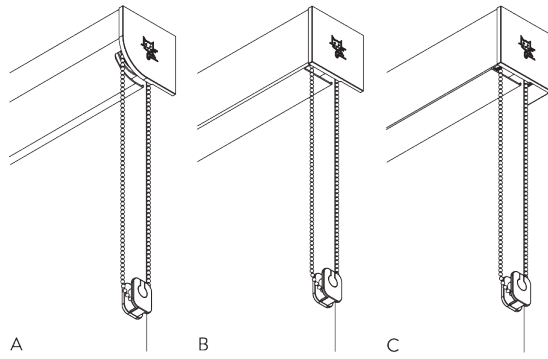
D. TWO CONNECTED SYSTEMS



Additional parts:

- 1x SG 11175 Click flange
- 1x SG 11183 Connecting bolt
- 2x SG 11184 Connection bracket cover
- 1x SG 11195 Connection tube adapter

E. FASCIA / BOX



- A: Fascia round
- B: Fascia square
- C: Box

Size:


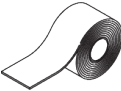






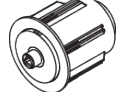

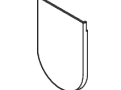
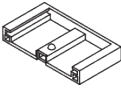

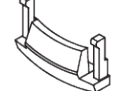
- 110 x 110 mm

Note:

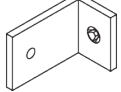

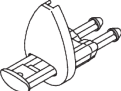


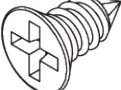
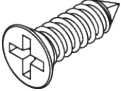
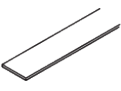
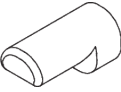
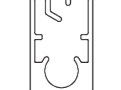
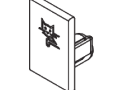

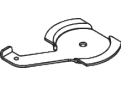
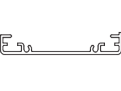
- Only applicable with bottom bar SG 10770
- Not possible with connected systems

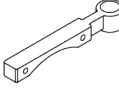
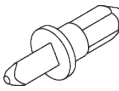
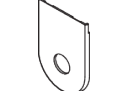
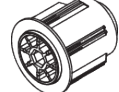
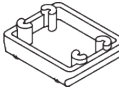
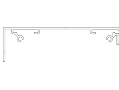






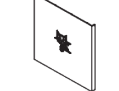
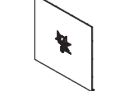
PARTS

A. STANDARD PARTS

	SG 4223 PVC strip 14 mm
	SG 4226 Double tape 30 mm
	SG 4845 Bead chain metal ø 4.5 mm
	SG 10731 Child safety retainer set
	SG 10760 Bottom bar
	SG 10761 End cover
	SG 10962 Chain drive
	SG 11037 Tube ø 60 mm
	SG 11165 Tube adapter
	SG 11172 Bracket
	SG 11173 Bracket cover
	SG 11174 Bracket cover
	SG 11175 Click flange
	SG 11179 Cover

B. OPTIONAL PARTS

	SG 3036 Bracket 47 mm
	SG 4903 Bottom bar
	SG 4944 Side guide end cover
	SG 4948 Side guide wire ø 1.5 mm
	SG 8249 Side guide device
	SG 10139 Countersunk screw 2.9x6.5
	SG 10498 Countersunk screw 2.9x9.5
	SG 10668 PVC strip 10 mm
	SG 10707 End stop
	SG 10770 Bottom bar
	SG 10771 End cover
	SG 11178 End cover
	SG 11180 Clamp
	SG 11181 Installation profile

	SG 11182 Side guide wire holder
	SG 11183 Connection bolt
	SG 11184 Connection bracket cover
	SG 11195 Connection tube adapter
	SG 11311 Bracket spacer
	SG 11530 Installation profile fascia 110 mm
	SG 11531 Fascia round 110 mm
	SG 11532 Fascia square 110 mm
	SG 11533 Box case 110 mm
	SG 11534 Box cover 110 mm
	SG 11537 Bracket cover round left 110 mm
	SG 11538 Bracket cover round right 110 mm
	SG 11539 Bracket cover square left 110 mm
	SG 11540 Bracket cover square right 110 mm



SG 11544

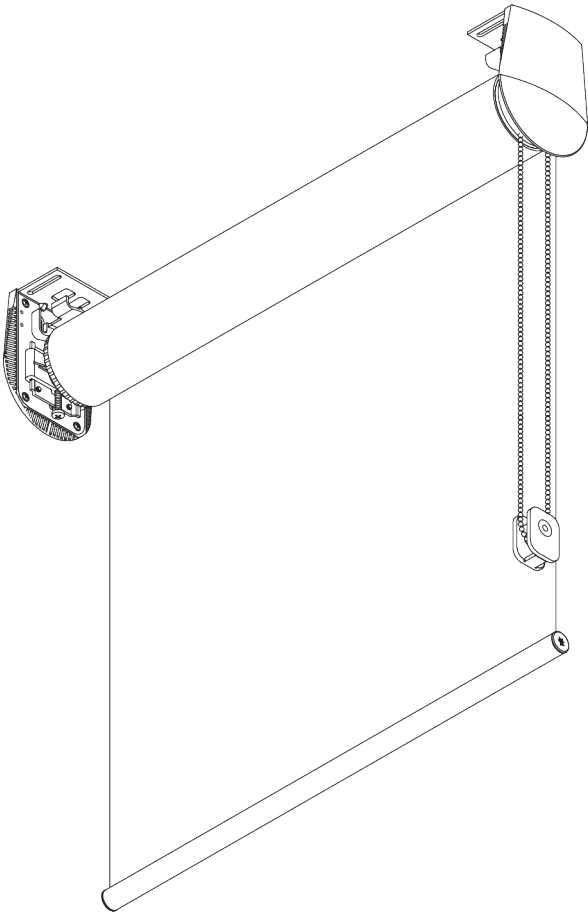
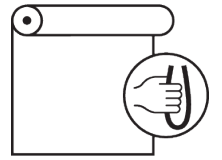
Bracket left 110 mm



SG 11545

Bracket right 110 mm

SG 4840



PRODUCT INFORMATION

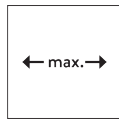
- **Operation:** chain
- **Range:** L
- **Fitting:** ceiling, wall, recess
- **Colours:** white RAL 9016; special colours or anodised aluminum possible
- **Fabrics:** refer to Silent Gliss fabric collection

Features:

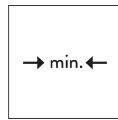
- Stainless steel bead chain
- Stainless steel brackets, adjustable for vertical alignment of fabric

SYSTEM SPECIFICATIONS

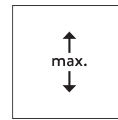
A. SYSTEM DIMENSIONS



Tube SG 4957: 5 m
Tube SG 4901: 4 m



50 cm



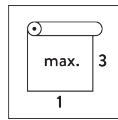
Tube SG 4957: 3.75 m
Tube SG 4901: 6 m



15 m²



Tube SG 4957: 9.5 kg
Tube SG 4901: 12.5 kg



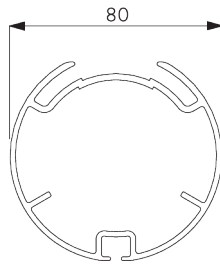
Recommended width /
height ratio
max. 1:3

Maximum surface area

		A →								
		2 m	2.5 m	3 m	3.5 m	4 m	4.5 m	5 m		
B ↓	2 m	●	●	●	●	○	○	○	 ● SG 4901 (ø 80 mm)	
	2.5 m	●	●	●	●	○	○	○		
	3 m	●	●	●	●	○	○	○		
	3.5 m	●	●	●	●	○				
	4 m	●	●	●	●				 ○ SG 4957 (ø 110 mm)	
	4.5 m	●	●	●						
	5 m	●	●	●						
	5.5 m	●	●		max. 15 m ²					
6 m	●	●								

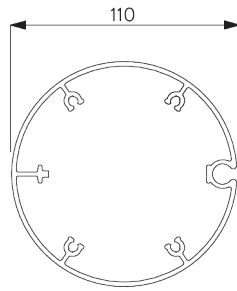
B. PROFILE

Profile information



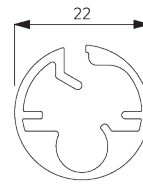
SG 4901

Tube ø 80 mm



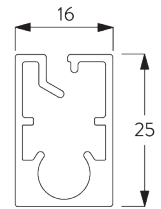
SG 4957

Tube ø 110 mm



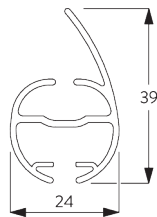
SG 10760

Bottom bar



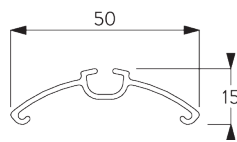
SG 10770

Bottom bar



SG 4903

Bottom bar



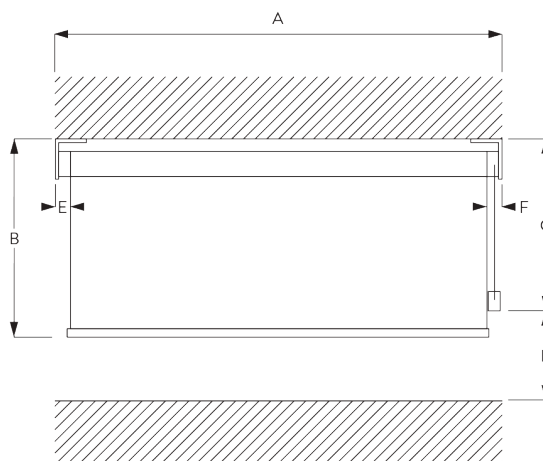
SG 4902

Profile

C. HOW TO

MEASURE

incl. bracket covers
(15 mm)



A: System width

B: System height

C: Chain height

D: Safety Retainer SG 10731 min. 150 cm above floor

Tube SG 4901 (ø 80 mm):

E: Light gap: 44 mm

F: Light gap operation side: 40 mm

Tube SG 4957 (ø 110 mm):

E: Light gap: 42 mm

F: Light gap operation side: 42 mm

Note:

All measurements include 15 mm for bracket cover per side!
These can be omitted to reduce side light gaps.

D. SPECIFICATION

TEXT

Silent Gliss SG 4840 chain operated roller blind system for very heavy duty applications. Assembled complete with anodised aluminium headrail. Smooth light operation thanks to the planetary gear and no slippage due to the integrated brake. Incorporates Silent Gliss patented Quick Twist for easy on-site adjustment of the headrail to prevent fabric roll off. Fix to wall/ceiling/inside recess with stainless steel bracket combination set SG 4944 incorporating hook on plates to take weight of blind during installation. Optional bracket covers. Fabrics to be selected from Silent Gliss range.

FITTING

A. FITTING INFORMATION

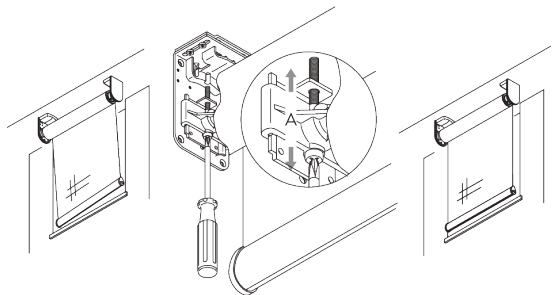
For detailed fitting information, visit the [Silent Gliss website](#).

Fixing points



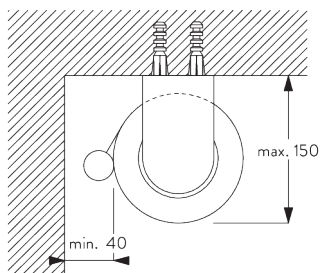
*30 mm without cover
*43 mm with cover

Adjustable brackets (for vertical adjustments)

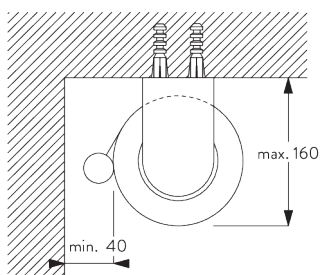


Vertical adjustment of fabric to the window frame.

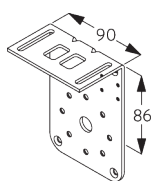
B. CEILING FITTING



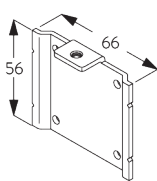
Tube SG 4901 (ø 80 mm)



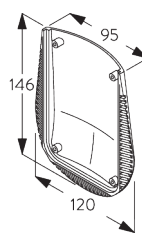
Tube SG 4957 (ø 110 mm)



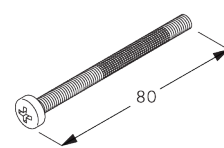
SG 4904
Bracket (set SG 4949)



SG 4906
Plate (set SG 4949)

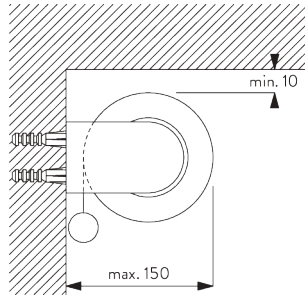


SG 4956
Bracket cover

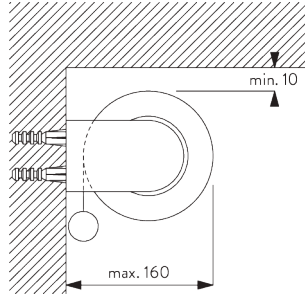


SG 4966
Special screw (set SG 4949)

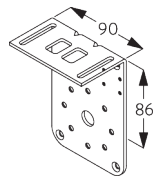
C. WALL FITTING



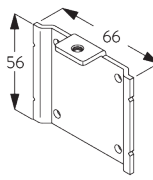
Tube SG 4901 (ø 80 mm)



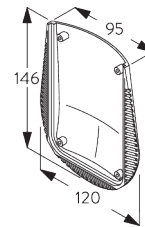
Tube SG 4957 (ø 110 mm)



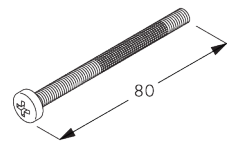
SG 4904
Bracket (set SG 4949)



SG 4906
Plate (set SG 4949)

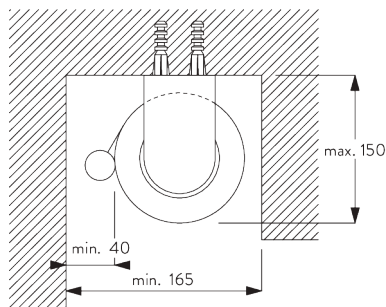


SG 4956
Bracket cover

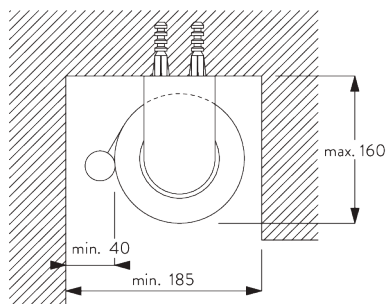


SG 4966
Special screw (set SG 4949)

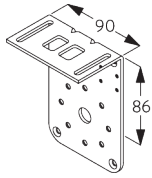
D. RECESS FITTING



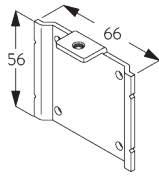
Tube SG 4901 (ø 80 mm)



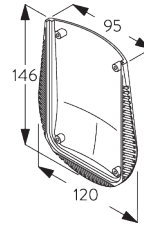
Tube SG 4957 (ø 110 mm)



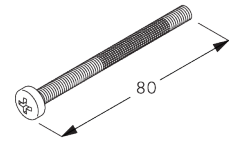
SG 4904
Bracket (set SG 4949)



SG 4906
Plate (set SG 4949)

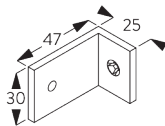
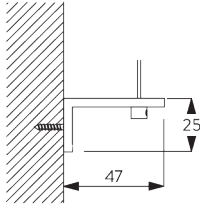


SG 4956
Bracket cover

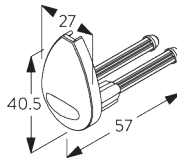


SG 4966
Special screw (set SG 4949)

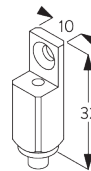
**E. FITTING WITH
SIDE GUIDE
OPTION**



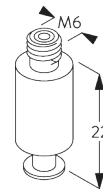
SG 3036
Bracket 47 mm



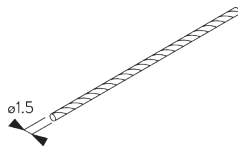
SG 4944
Side guide end cover



SG 4946
Side guide wire rope fastener



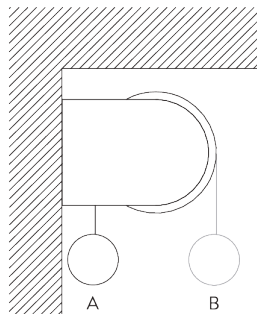
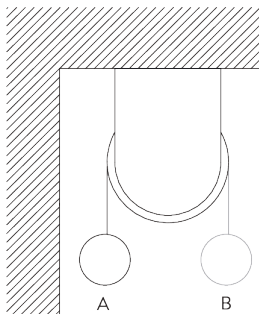
SG 4947
Side guide wire rope fastener



SG 4948
Side guide wire ø 1.5 mm

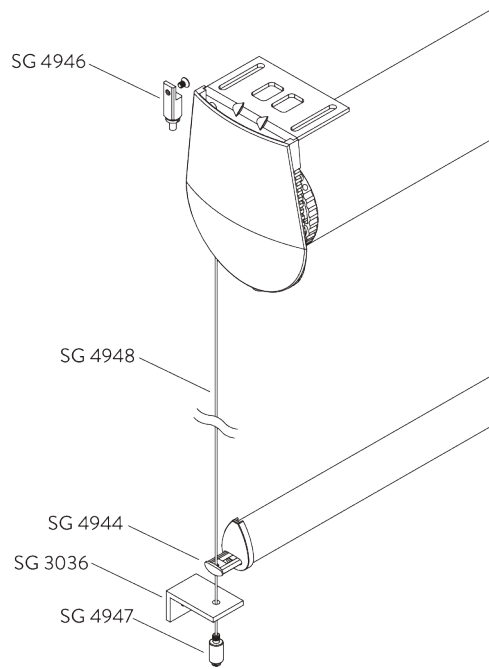
SYSTEM OPTIONS

A. FABRIC ROLL-OFF



A: Fabric roll-off window side (standard)
B: Fabric roll-off room side (option)

B. SIDE GUIDES



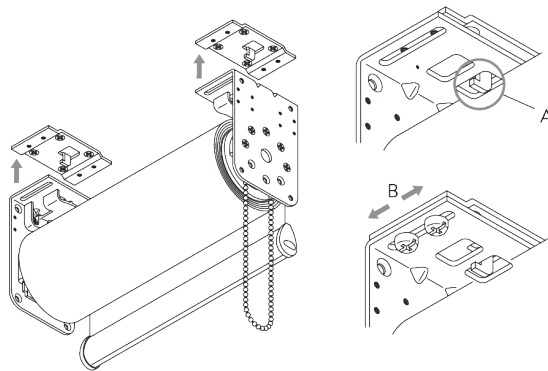
Additional parts:

- 2x SG 3036 Bracket 47 mm
- 2x SG 4944 Side guide end cover
- 2x SG 4946 Side guide wire rope fastener
- 2x SG 4947 Side guide wire rope fastener
- 2x SG 4948 Side guide wire \varnothing 1.5 mm

Note:

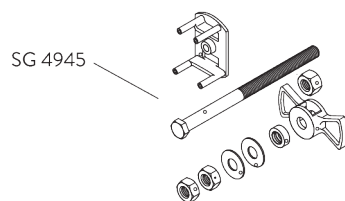
- Light gaps increase when side-guide option is used
- Up to 15° from vertical

C. HOOK-IN INSTALLATION PLATES



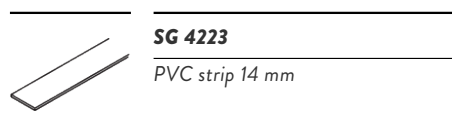
- A: Hook-in plates SG 4972 take the weight of the blind
B: Brackets sideways adjustable by up to 18 mm

D. ADJUSTABLE END STOP



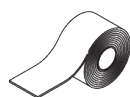
PARTS

A. STANDARD PARTS



SG 4223

PVC strip 14 mm



SG 4226

Double tape 30 mm



SG 4845

Bead chain metal ø 4.5 mm



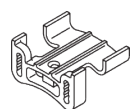
SG 4901

Tube ø 80 mm



SG 4902

Profile



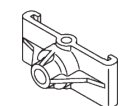
SG 4908

End stop



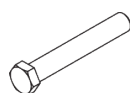
SG 4914

Tube adapter



SG 4915

Support



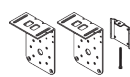
SG 4939

Shaft



SG 4941

Chain drive set



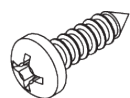
SG 4949

Bracket set



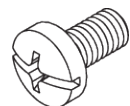
SG 4956

Bracket cover



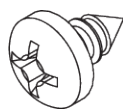
SG 10503

Pan head screw 3.5x13



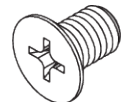
SG 10505

Pan head screw Freedrive M4x8



SG 10507

Pan head screw 3.5x6.5



SG 10509

Countersunk head screw M5x8



SG 10731

Child safety retainer set



SG 10760

Bottom bar



SG 10761

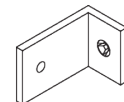
End cover

B. OPTIONAL PARTS



SG 2006

Bottom bar 28x3 mm



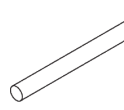
SG 3036

Bracket 47 mm



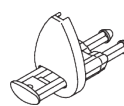
SG 4903

Bottom bar



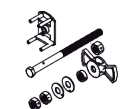
SG 4943

Rod ø 4 mm



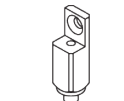
SG 4944

Side guide end cover



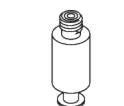
SG 4945

End stop set



SG 4946

Side guide wire rope fastener



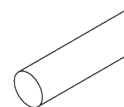
SG 4947

Side guide wire rope fastener



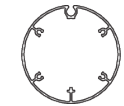
SG 4948

Side guide wire ø 1.5 mm



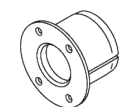
SG 4951

Bottom weight ø 8 mm



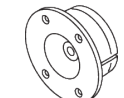
SG 4957

Tube ø 110 mm



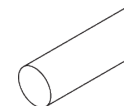
SG 4958

Tube adapter



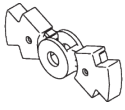
SG 4961

Tube adapter



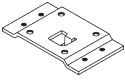
SG 4963

Rod ø 6 mm



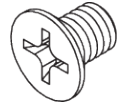
SG 4965

End stop flange



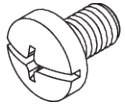
SG 4972

Installation plate



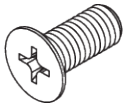
SG 10502

Countersunk head screw M4x6



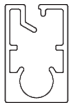
SG 10504

Pan head screw Freedrive M5x8



SG 10508

Countersunk head screw M5x12



SG 10770

Bottom bar



SG 10771

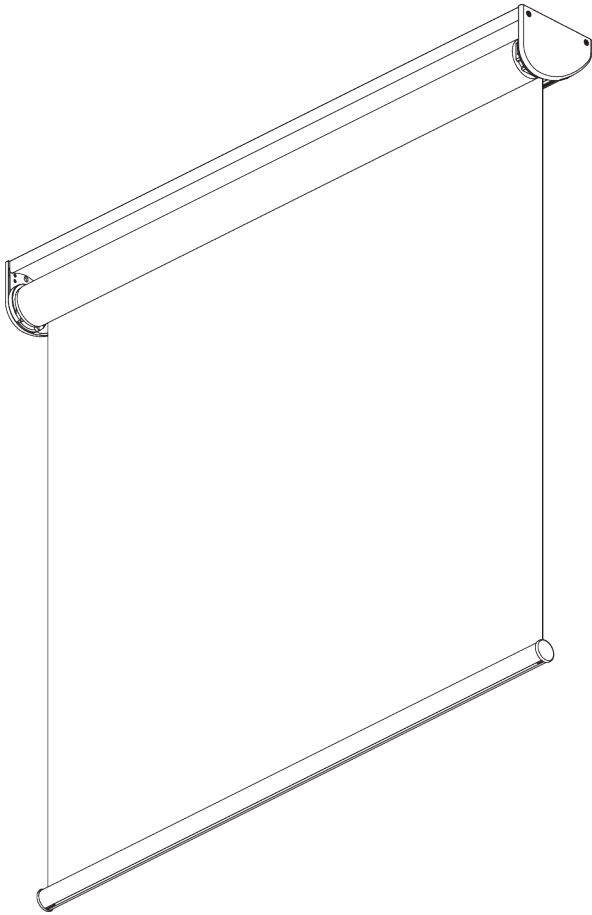
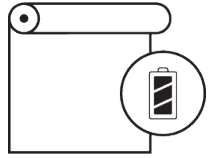
End cover



SG 11178

End cover

SG 4955



PRODUCT INFORMATION

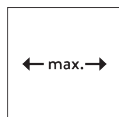
- **Operation:** motorised (battery operated)
- **Range:** S - M
- **Fitting:** ceiling, wall, recess
- **Colours:** white RAL 9016; special colours or anodised aluminum possible
- **Fabrics:** refer to Silent Gliss fabric collection

Features:

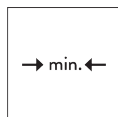
- Various control options
- Easy exchange of batteries
- Click-in brackets
- Installation profile

SYSTEM SPECIFICATIONS

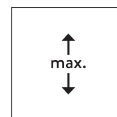
A. SYSTEM DIMENSIONS



2.4 m



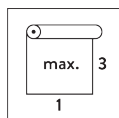
60 cm



4 m



2.5 kg



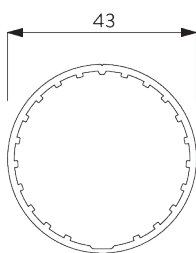
Recommended width /
height ratio
max. 1:3

Maximum system drop

Fabric thickness	mm	0.15	0.20	0.25	0.30	0.35	0.40	0.45	0.50	0.55	0.60	0.65	0.70	0.75	0.80
Max. system drop	cm	400	400	400	400	400	400	390	350	320	290	270	250	230	220

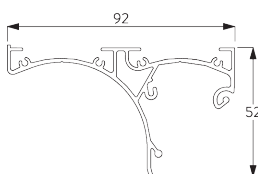
B. PROFILE

Profile information



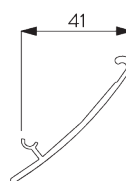
SG 10532

Tube ø 43 mm



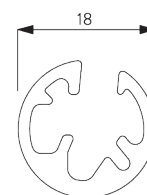
SG 11081

Profile



SG 11082

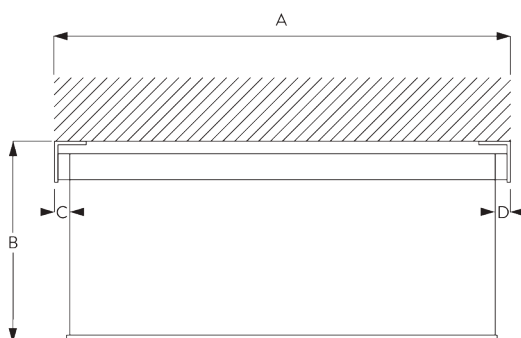
Profile



SG 10872

Bottom bar

C. HOW TO MEASURE



A: System width
B: System height
C: Light gap: 14 mm
D: Light gap operation side: 17 mm

D. SPECIFICATION

TEXT

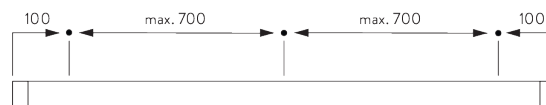
Silent Gliss SG 4955 Battery Operated Roller Blind System. Roller blind. Roller blind system for light to medium size blind applications up to 2.4m wide. Supplied made to measure and complete comprising anodised aluminium barrel SG 10532 and profile cover SG 11081 with lid SG 11082. Fixed to wall / ceiling / inside recess with clamp SG 3044 or direct fixed with installation support plate SG 11086. Integral motor SG 11076 with battery pack concealed in fascia profile. Powered by 8no. lithium AA cells. Round bottom bar SG 4221 in powder coated white (other shapes and colours available). Operation by single channel radio wall switch SG 10949 as standard. Other optional control options are two channel wall switch SG 10950 and five channel wall switch SG 10951. Optional radio remote handsets are also available (single channel SG 10946 / two channel SG 10947 / six channel SG 10948).

FITTING

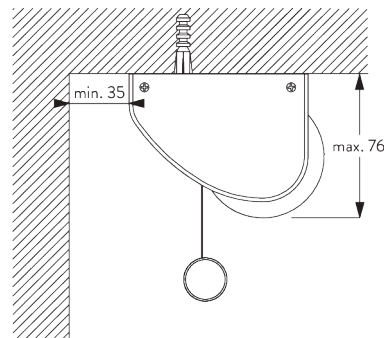
A. FITTING INFORMATION

For detailed fitting information, visit the Silent Gliss website.

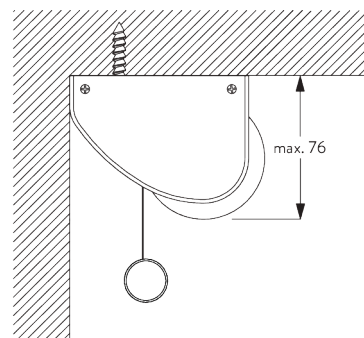
Fixing points



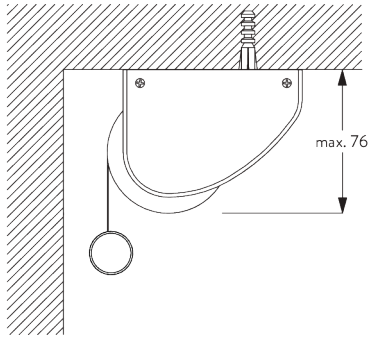
B. CEILING FITTING



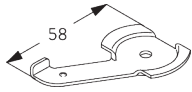
Clamp SG 3044



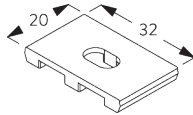
Direct fitting



Reversed fitting

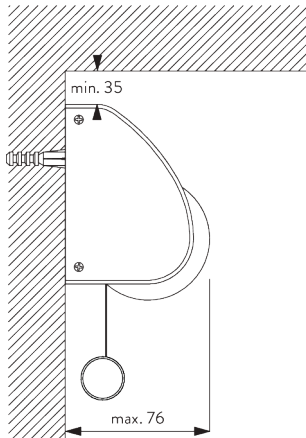


SG 3044
Clamp

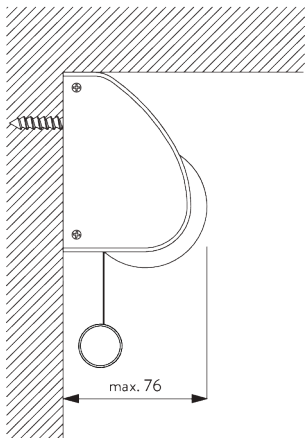


SG 11086
Installation support plate

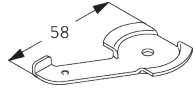
C. WALL FITTING



Clamp SG 3044

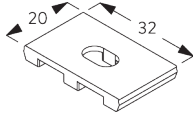


Direct fitting



SG 3044

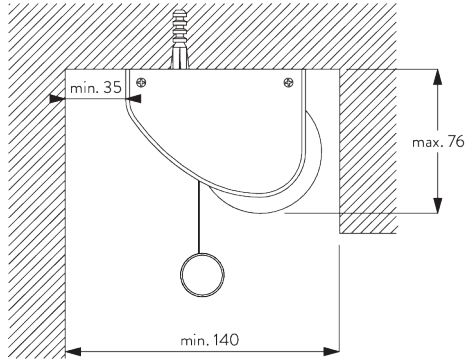
Clamp



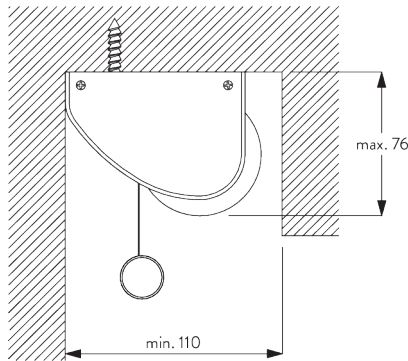
SG 11086

Installation support plate

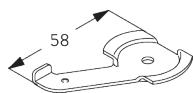
D. RECESS FITTING



Clamp SG 3044

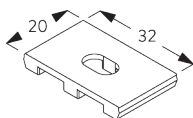


Direct fitting



SG 3044

Clamp

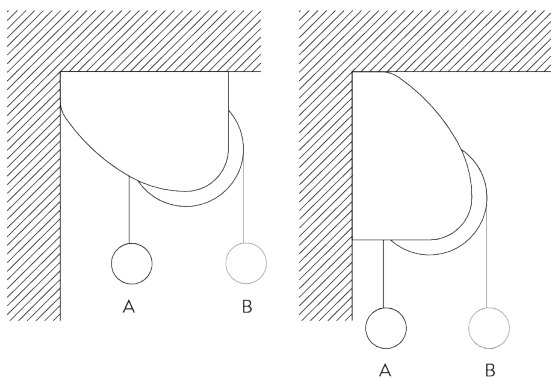


SG 11086

Installation support plate

SYSTEM OPTIONS

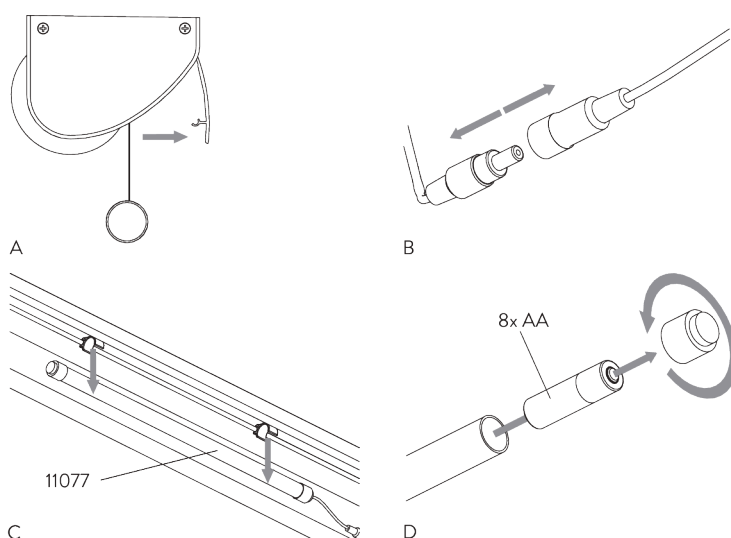
A. FABRIC ROLL-OFF



A: Fabric roll-off window side (standard)

B: Fabric roll-off room side (option)

B. BATTERY EXCHANGE



MOTOR & CONTROLS

A. MOTOR FEATURES

Motor	SG 11076
Motor Features	
Soft start / stop	•
Built-in receiver	•
Electronic end-stop	•
Electronic revolution counter (unlimited revolution)	•
IP class	IP 44
Control Features	
SG Control A	•

B. MOTOR
SPECIFICATIONS

Motor	Light gaps C / D = driving side	Min. system width	Voltage	Current	Speed	Frequency receiver
SG 11076	C: 14 mm / D: 17 mm	60 cm	12 V DC	0.55 A	30 rpm	433 MHz

C. OPERATION
METHODS

See catalogue "controls" for details.


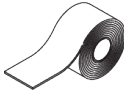
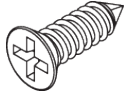
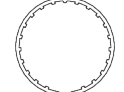
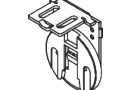


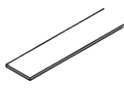
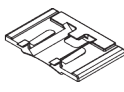



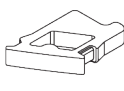

SG Control A



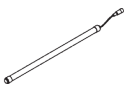

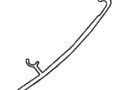



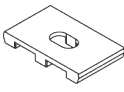
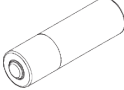
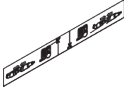


Various radio hand-held and wall transmitters available.



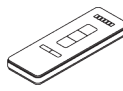



PARTS

A. STANDARD PARTS

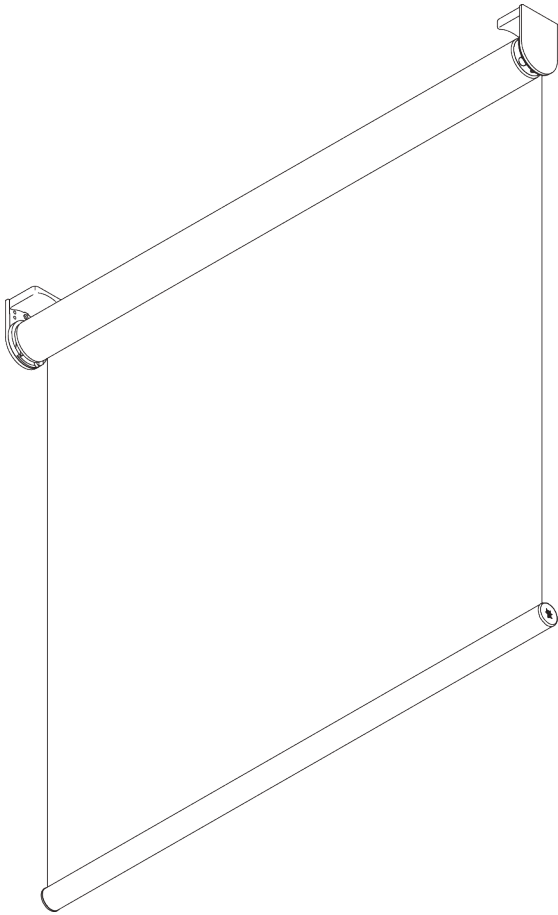
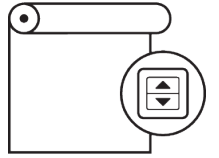
	SG 3044 Clamp
	SG 4226 Double tape 30 mm
	SG 10498 Countersunk screw 2.9x9.5
	SG 10532 Tube ø 43 mm
	SG 10543 Bracket
	SG 10544 Bracket
	SG 10557 Tube adapter
	SG 10668 PVC strip 10 mm
	SG 10690 Spacer
	SG 10872 Bottom bar
	SG 10874 End cover
	SG 10949 Radio wall transmitter 1 channel
	SG 11039 Cable protector
	SG 11072 Motor drive

	SG 11075 Tube adapter
	SG 11076 Motor 12V DC, 1.2/30
	SG 11077 Battery box
	SG 11081 Profile
	SG 11082 Profile
	SG 11083 End cover right
	SG 11084 End cover left
	SG 11085 Battery box holder
	SG 11086 Installation support plate
	SG 11099 AA Energizer Ultimate lithium batteries
	SG 11103 Warning sticker

B. OPTIONAL PARTS

	SG 10946 Radio hand held 1 channel
	SG 10947 Radio hand held 2+1 channel
	SG 10948 Radio hand held 6+1 channel
	SG 10950 Radio wall transmitter 2 channel
	SG 10951 Radio wall transmitter 5+1 channel
	SG 11429 Radio timer unit 1 channel

SG 4960



PRODUCT INFORMATION

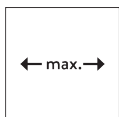
- **Operation:** motorised
- **Range:** S - M
- **Fitting:** ceiling, wall, recess
- **Colours:** white RAL 9016, grey RAL 7035, black RAL 9005; special colours possible
- **Fabrics:** refer to Silent Gliss fabric collection

Features:

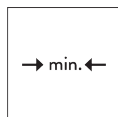
- Quiet and fast motors, soft stop
- Various control options
- Two connected systems
- Click-in brackets
- Fascia, box, installation profile

SYSTEM SPECIFICATIONS

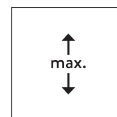
A. SYSTEM DIMENSIONS



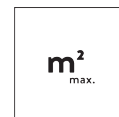
Single system: 2.4 m
Double system: 4.8 m



61 cm*
*see motor specification table



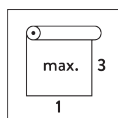
4 m



Single system: 9.6 m²
Double system: 19.2 m²



5.5 kg



Recommended width /
height ratio
max. 1:3

Maximum system drop

Wall fitting (system drop on window side)

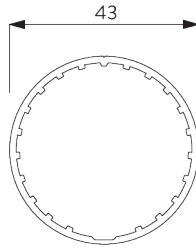
Fabric thickness	mm	0.15	0.20	0.25	0.30	0.35	0.40	0.45	0.50	0.55	0.60	0.65	0.70	0.75	0.80
Max. system drop	cm	400	400	400	400	400	400	390	350	320	290	270	250	230	220

Ceiling fitting / wall fitting (system drop on room side)

Fabric thickness	mm	0.15	0.20	0.25	0.30	0.35	0.40	0.45	0.50	0.55	0.60	0.65	0.70	0.75	0.80
Max. system drop	cm	400	400	400	400	400	400	400	400	400	380	350	330	300	280

B. PROFILE

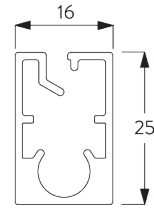
Profile information



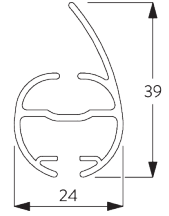
SG 10532
Tube ø 43 mm



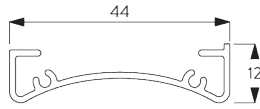
SG 10760
Bottom bar



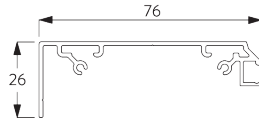
SG 10770
Bottom bar



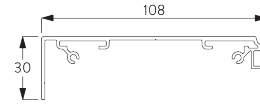
SG 4903
Bottom bar



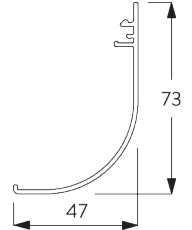
SG 10534
Installation profile



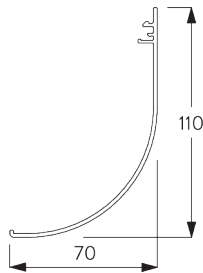
SG 11430
Installation profile fascia 73 mm



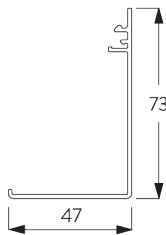
SG 11530
Installation profile fascia 110 mm



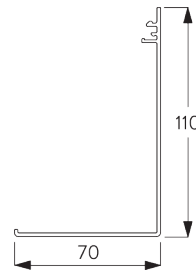
SG 11431
Fascia round 73 mm



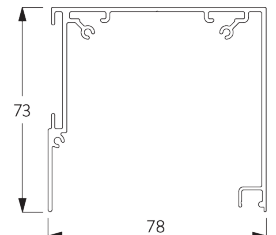
SG 11531
Fascia round 110 mm



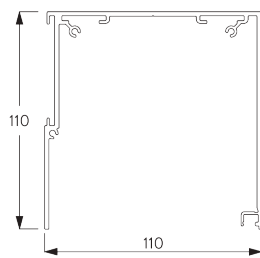
SG 11432
Fascia square 73 mm



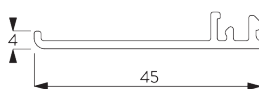
SG 11532
Fascia square 110 mm



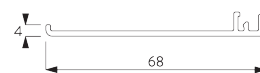
SG 11433
Box case 73 mm



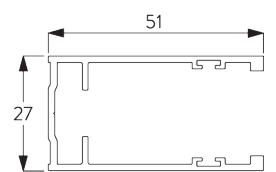
SG 11533
Box case 110 mm



SG 11434
Box cover 73 mm



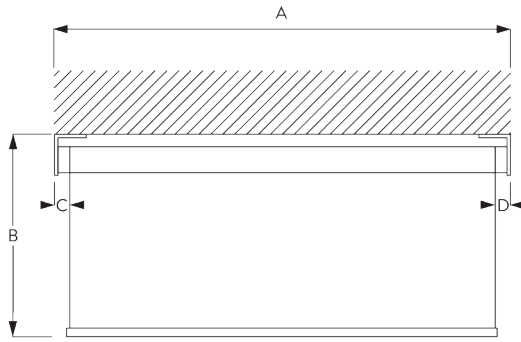
SG 11534
Box cover 110 mm



SG 11542
Side guide channel

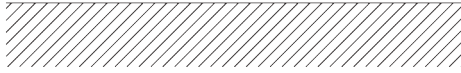
**C. HOW TO
MEASURE**

incl. bracket covers

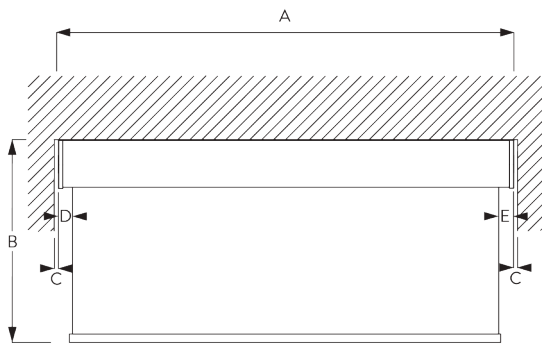


- A: System width
- B: System height
- C: Light gap: 13 mm
- D: Light gap operation side: 19 mm

Note:
Different light gaps see motor specifications.
All measurements include 2 mm for bracket cover per side!
These can be omitted to reduce side light gaps.

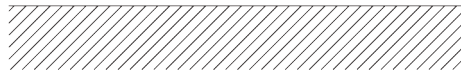


Fascia / Box

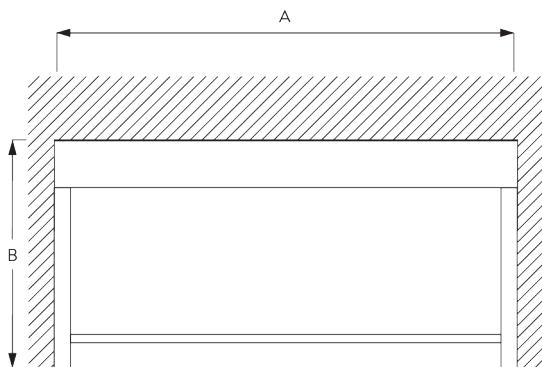


- A: System width
- B: System height
- C: Gap: min. 10 mm (when cover is used)*
- D: Light gap: 15 mm
- E: Light gap operation side: 21 mm

Note:
Different light gaps see motor specifications.
*Possible to make Fascia wider than system to reduce gap between wall and system.



Fascia / Box with Side Profiles SG 11542



- A: System width
- B: System height

D. SPECIFICATION

TEXT

Silent Gliss SG 4960 Electrically Operated Roller Blind with Smart by Silent Gliss enabled motor. Roller blind system for medium to large size blind applications up to 2.4m wide. Supplied made to measure and complete comprising anodised aluminium barrel SG 10532. Fixed to wall / ceiling / inside recess with brackets SG 10542 / SG 10543 and bracket covers SG 10574 / SG 10575. Assembled with powder coated white / grey / black finish aluminium bottom weight bar SG 10760 as standard (other shape options available). Integral 24V DC powered Smart by Silent Gliss motor SG 11250 left / right side. Operation only via Silent Gliss Smart Gateway and associated components in conjunction with compatible third-party control systems. All wiring to be strictly in accordance with Silent Gliss wiring diagrams. Fabric to be chosen from the Silent Gliss fabric range, Price Group 1R / 2R / 3R.

Silent Gliss SG 4960 Electrically Operated Roller Blind System with SG Series 40 motor. Roller blind system for medium to large size blind applications up to 2.4m wide. Supplied made to measure and complete comprising anodised aluminium barrel SG 10532. Fixed to wall / ceiling / inside recess with brackets SG 10542 / SG 10543 and bracket covers SG 10574 / SG 10575. Assembled with powder coated white / grey / black finish aluminium bottom weight bar SG 10760 as standard (other shape options available). Integral 24V DC powered motor (transformer not included) / 100-240V AC 50/60Hz powered motor. Operation by dry contact switching from fixed switch (not supplied) / dry contact switching via third-party control system and / or SG Control L radio control system via integrated receiver. SG Control L components supplied at additional cost. All wiring to be strictly in accordance with Silent Gliss wiring diagrams. Fabric to be chosen from the Silent Gliss fabric range, Price Group 1R / 2R / 3R.

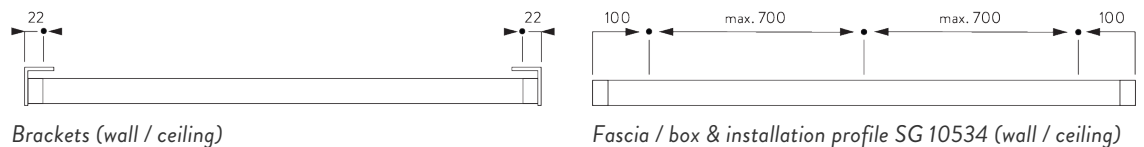
Silent Gliss SG 4960 Electrically Operated Roller Blind System with SG Series 20 motor. Roller blind system for medium to large size blind applications up to 2.4m wide. Supplied made to measure and complete comprising anodised aluminium barrel SG 10532. Fixed to wall / ceiling / inside recess with brackets SG 10542 / SG 10543 and bracket covers SG 10574 / SG 10575. Assembled with powder coated white / grey / black finish aluminium bottom weight bar SG 10760 as standard (other shape options available). Integral 230V 50 Hz powered motor SG 10320. Operation by mains switch (not supplied) / mains switching by third party control system or SG Control R remote control system. Wireless controls at extra cost. All wiring to be strictly in accordance with Silent Gliss wiring diagrams. Fabric to be chosen from the Silent Gliss fabric range, Price Group 1R / 2R / 3R.

FITTING

A. FITTING INFORMATION

Fixing points

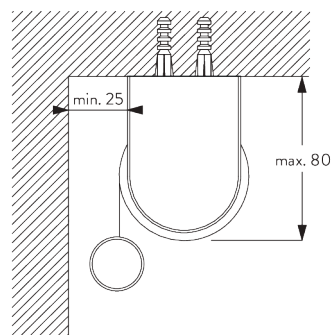
For detailed fitting information, visit the [Silent Gliss website](#).



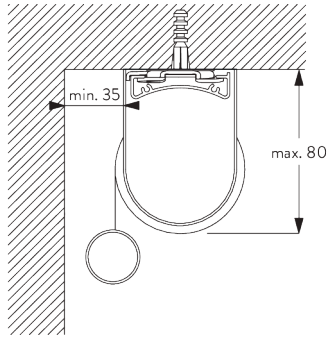
Brackets (wall / ceiling)

Fascia / box & installation profile SG 10534 (wall / ceiling)

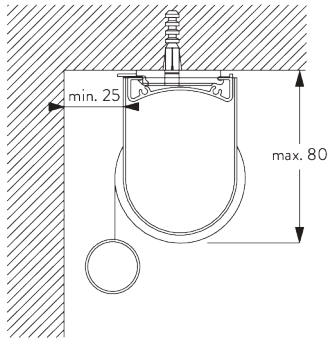
B. CEILING FITTING



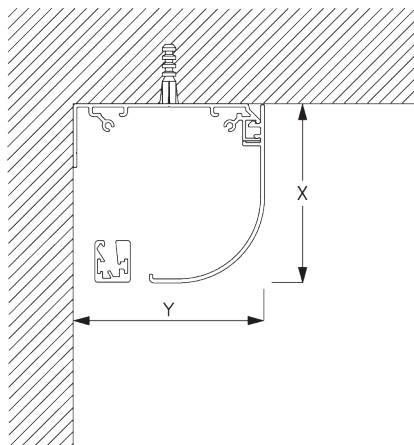
Brackets



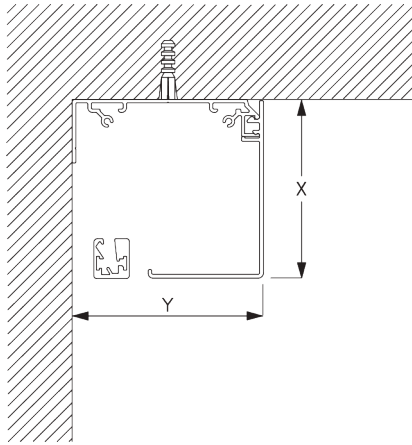
Installation profile SG 10534 and clamp SG 3044



Installation profile SG 10534 and click bracket SG 10539
 Not possible with two connected systems!



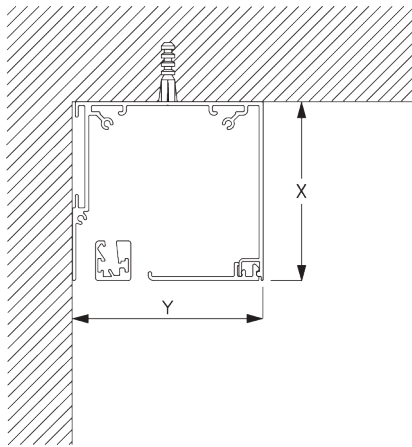
Fascia round
 X = Fascia S 73 mm / Fascia L 110 mm
 Y = Fascia S 78 mm / Fascia L 110 mm



Fascia square

X = Fascia S 73 mm / Fascia L 110 mm

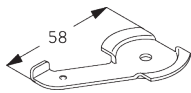
Y = Fascia S 78 mm / Fascia L 110 mm



Box

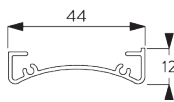
X = Box S 73 mm / Box L 110 mm

Y = Box S 78 mm / Box L 110 mm



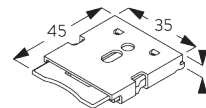
SG 3044

Clamp



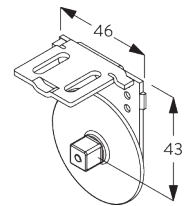
SG 10534

Installation profile



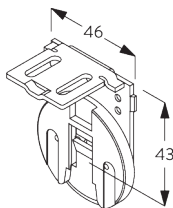
SG 10539

Bracket



SG 10542

Bracket



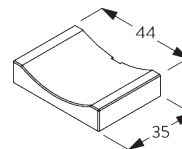
SG 10543

Bracket



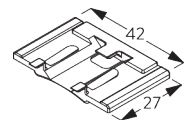
SG 10574

Bracket cover



SG 10575

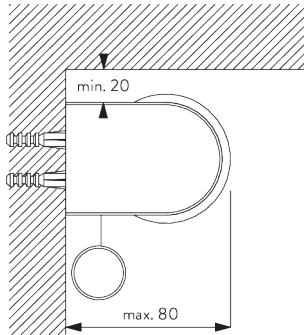
Bracket cover



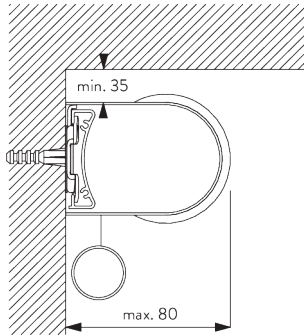
SG 10690

Spacer

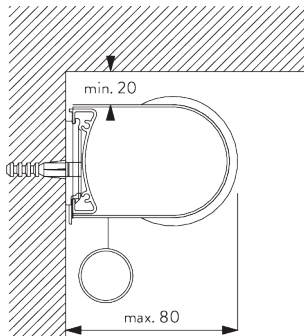
C. WALL FITTING



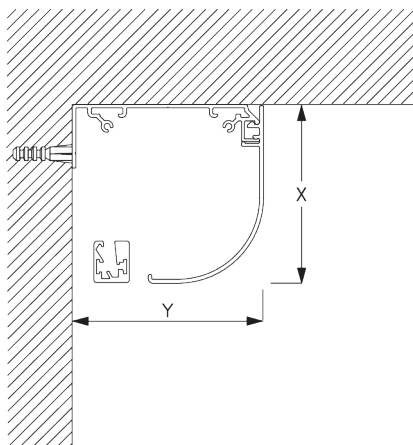
Brackets



Installation profile SG 10534 and clamp SG 3044

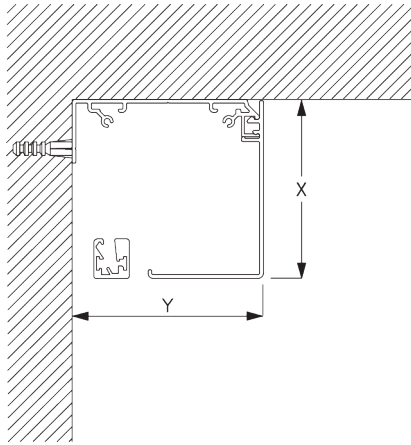


Installation profile SG 10534 and click bracket SG 10539
Not possible with two connected systems!



Fascia round

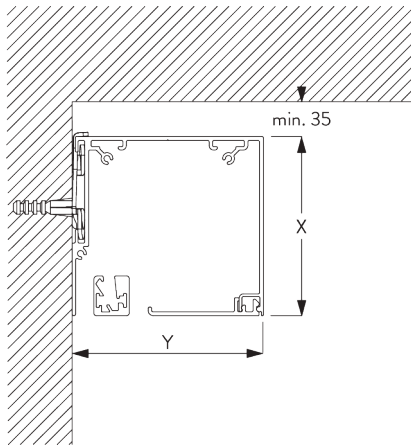
X = Fascia S 73 mm / Fascia L 110 mm
Y = Fascia S 78 mm / Fascia L 110 mm



Fascia square

X = Fascia S 73 mm / Fascia L 110 mm

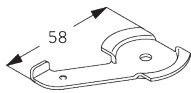
Y = Fascia S 78 mm / Fascia L 110 mm



Box S and clamp SG 3044 / Box L and clamp SG 11180

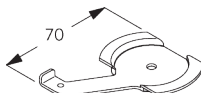
X = Box S 73 mm / Box L 110 mm

Y = Box S 78 mm / Box L 110 mm



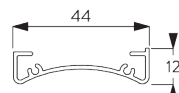
SG 3044

Clamp



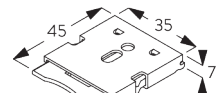
SG 11180

Clamp



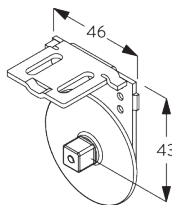
SG 10534

Installation profile



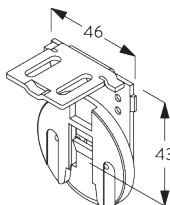
SG 10539

Bracket



SG 10542

Bracket



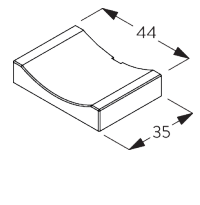
SG 10543

Bracket



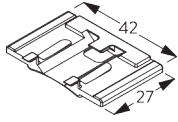
SG 10574

Bracket cover



SG 10575

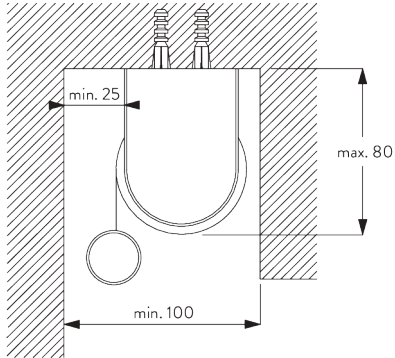
Bracket cover



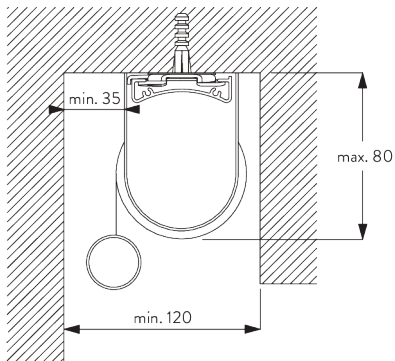
SG 10690

Spacer

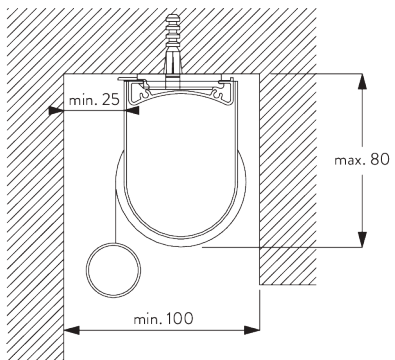
D. RECESS FITTING



Brackets

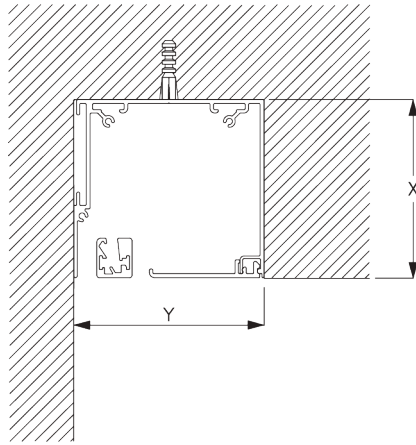


Installation profile SG 10534 and clamp SG 3044



Installation profile SG 10534 and click bracket SG 10539

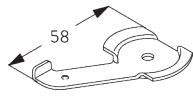
Not possible with two connected systems!



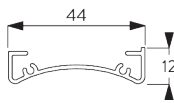
Box

X = Box S 73 mm / Box L 110 mm

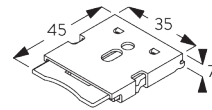
Y = Box S min. 79 mm / Box L min. 111 mm



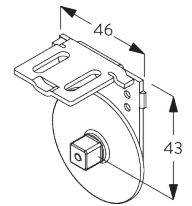
SG 3044
Clamp



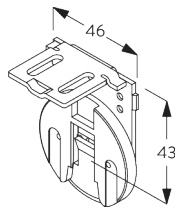
SG 10534
Installation profile



SG 10539
Bracket



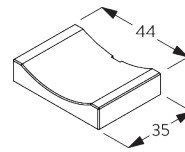
SG 10542
Bracket



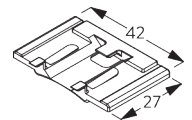
SG 10543
Bracket



SG 10574
Bracket cover

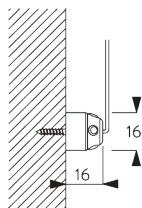
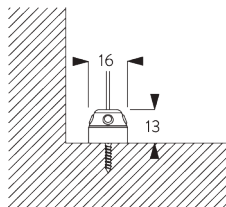


SG 10575
Bracket cover

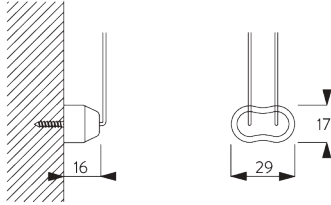
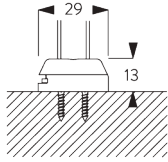


SG 10690
Spacer

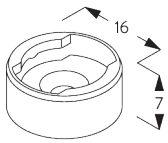
**E. FITTING WITH
SIDE GUIDE
OPTION**



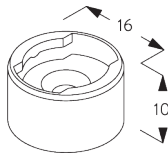
Single system



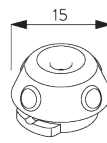
Double system (side-by-side installation)



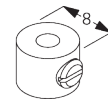
SG 8235
Side guide wire base short



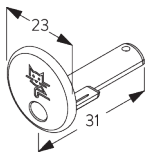
SG 8236
Side guide wire base long



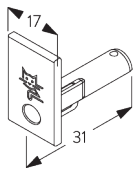
SG 8237
Side guide wire holder



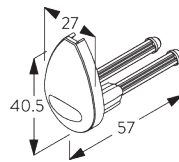
SG 8249
Side guide device



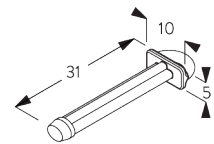
SG 10762
Side guide end cover



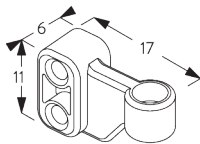
SG 10772
Side guide end cover



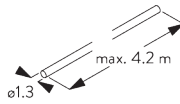
SG 4944
Side guide end cover



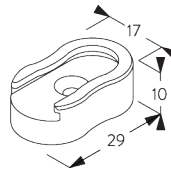
SG 10641
Side guide eyelet



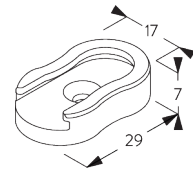
SG 10642
Side guide wire holder



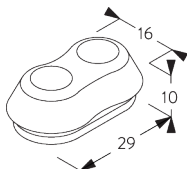
SG 10643
Side guide wire \varnothing 1.3 mm x 4.2 m



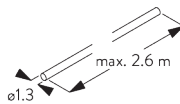
SG 10669
Side guide double base long



SG 10673
Side guide double base short



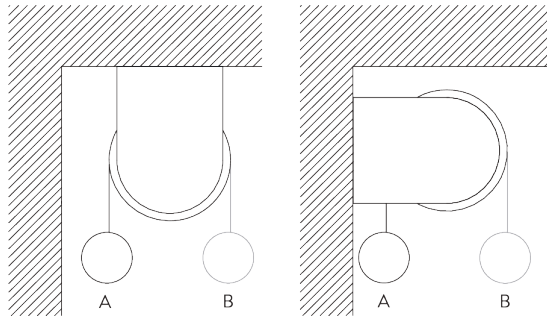
SG 10701
Side guide double wire holder



SG 10706
Side guide wire \varnothing 1.3 mm x 2.6 m

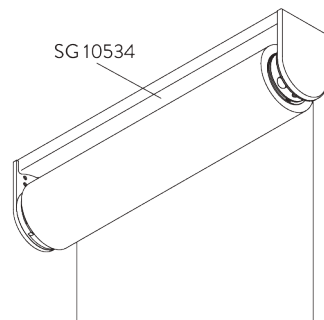
SYSTEM OPTIONS

A. FABRIC ROLL-OFF

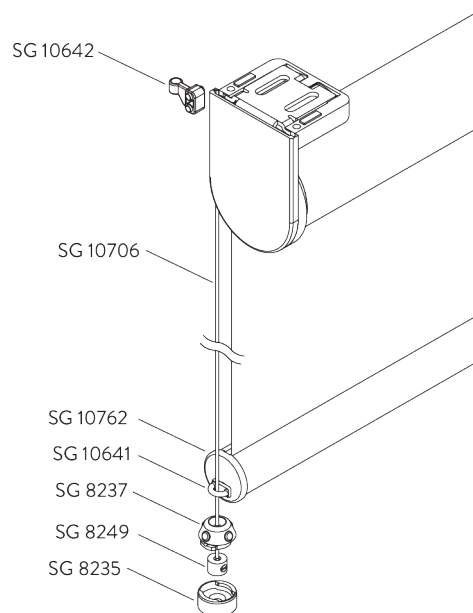


A: Fabric roll-off window side (standard)
B: Fabric roll-off room side (option)

B. INSTALLATION PROFILE



C. SIDE GUIDES



Additional parts:

- 2x SG 8235 Side guide wire base short
- 2x SG 8237 Side guide wire holder
- 2x SG 8249 Side guide device
- 2x SG 10762 Side guide end cover round
- 2x SG 10641 Side guide eyelet
- 2x SG 10642 Side guide wire holder
- 2x SG 10706 Side guide wire \varnothing 1.3 mm x 2.6 m

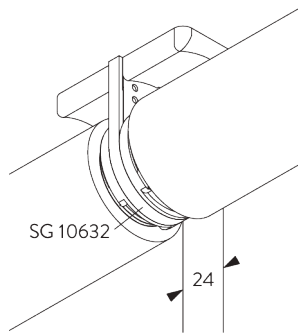
Optional parts:

- 2x SG 8236 Side guide wire base long
- 2x SG 10772 Side guide end cover square
- 2x SG 10643 Side guide wire \varnothing 1.3 mm x 4.2 m
- 1x SG 10669 Side guide double base long
- 1x SG 10673 Side guide double base short
- 1x SG 10701 Side guide double wire holder

Note:

- Light gaps increase when side-guide option is used
- Up to 15° from vertical

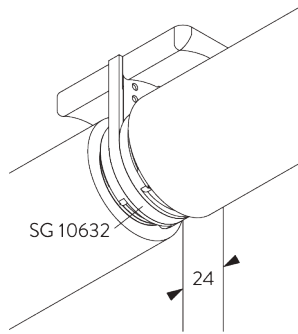
D. TWO CONNECTED SYSTEMS



Additional parts:

- 1x SG 10558 Connection tube adapter
- 2x SG 10626 Connection bracket
- 2x SG 10627 Connection flange
- 1x SG 10628 Connection tube adapter
- 1x SG 10632 Connection bracket cover

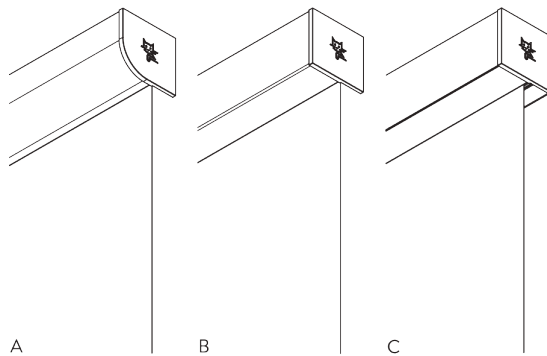
E. TWO SINGLE SYSTEMS SIDE-BY-SIDE



Additional parts:

- 1x SG 10632 Connection bracket cover

F. FASCIA / BOX



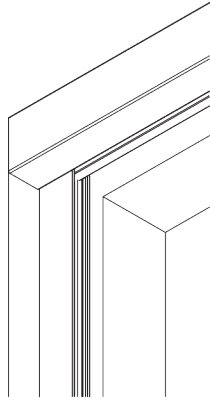
- A: Fascia round
- B: Fascia square
- C: Box

Size:

- S: 78 x 73 mm
- L: 110 x 110 mm

Note:

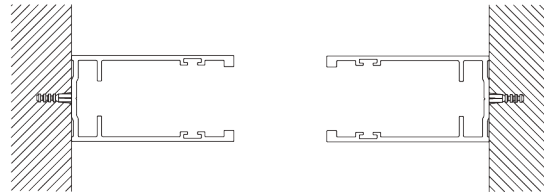
- Only applicable with bottom bar SG 11442
- Not possible with connected systems
- Two systems with one Fascia possible upon request



Optional side guide channels SG 11542 to be used with Fascia or Box.

Note:

- Only applicable with inside fitting
- Box: only recess fitting



MOTORS & CONTROLS

A. MOTOR FEATURES

Motors	50-Series	40-Series	20-Series	24 V DC
	SG 11250	SG 11240 SG 11243	SG 10320 SG 10420	SG 10692

Motor Features

Soft stop	•	•	•	
Electronic end-stop	•	•	•	•
Electronic revolution counter (unlimited revolution)	•	•	•	•
Mechanical end-stop				
Mechanical revolution counter (limited revolution)				
Two intermediate positions possible		•		
Bottom bar alignment	•	•		
Noiseless stop			•	•
Parallel wiring possible without additional relays		•	•	
Disconnectable motor cable	•	•	•	
IP class	IP 30	IP 30	IP 44	IP 30

Control Features

Mains power control			•	
Dry contact control		•		•
Dry contact and / or SG Control L control		•		
SG Control L (built-in receiver)		•		
SG Control R (external receiver required)			•	
Smart by Silent Gliss	•			
Suitable for most major home automation systems (with suitable interface)		•	•	•

B. MOTOR SPECIFICATIONS

Motors	Light gaps* C / D = driving side	Min. system width	Voltage	Current	Frequency	Speed	Frequency receiver
50-Series (Smart by Silent Gliss)							
SG 11250	C: 9 mm / D: 26 mm	61 cm	24 V DC	1.8 A	n/a	55 rpm	n/a
40-Series							
SG 11240	C: 9 mm / D: 26 mm	83 cm	100-240 V AC	0.3 A	50-60 Hz	55 rpm	868 MHz
SG 11243	C: 9 mm / D: 26 mm	61 cm	24 V DC	1.8 A	n/a	55 rpm	868 MHz
20-Series							
SG 10320 (standard)	C: 13 mm / D: 19 mm	61 cm	230 V AC	0.55 A	50 Hz	70 rpm	n/a
SG 10420	C: 13 mm / D: 19 mm	61 cm	120 V AC	1.1 A	50 Hz	84 rpm	n/a
24 V DC							
SG 10692	C: 13 mm / D: 19 mm	50 cm	24 V DC	0.7 A	n/a	25 rpm	n/a

*Light gaps Fascia or Box: C +2 mm / D +2 mm (40-/50-Series: C +3 mm / D + 2 mm)

C. OPERATING METHODS

See catalogue "controls" for details.

Wall Switch



System can be operated by fixed wall switch.

SG Control L



Various radio hand-held and wall transmitters available.



Silent Gliss Move App.

SG Control R



Various radio hand-held and wall transmitters available.
An external receiver is required.

Smart by Silent Gliss



Open designed two-way communication system which allows to flawlessly integrate products with most major building management systems.

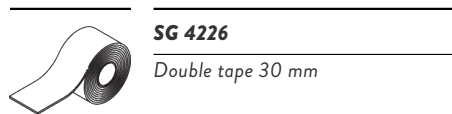
D. WIRING
DIAGRAMS



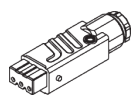
Refer to Silent Gliss website.

PARTS

A. STANDARD PARTS



SG 4226
Double tape 30 mm



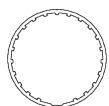
SG 9917
Hirschmann portable socket-outlet STAK 3 N



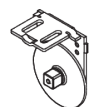
SG 10284
O-Ring



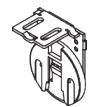
SG 10320
Tubular motor 230V AC, 20 Series 1.5/70



SG 10532
Tube ø 43 mm



SG 10542
Bracket



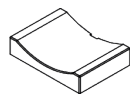
SG 10543
Bracket



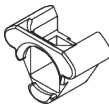
SG 10557
Tube adapter



SG 10574
Bracket cover



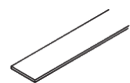
SG 10575
Bracket cover



SG 10620
Motor flange 10/20-Series



SG 10621
Tube adapter



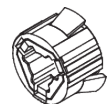
SG 10668
PVC strip 10 mm



SG 10760
Bottom bar



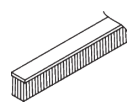
SG 10761
End cover



SG 11354
Motor drive 10/20-Series



SG 3044
Clamp



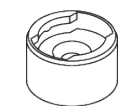
SG 4508
Brush 5x7 mm



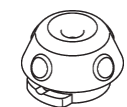
SG 4903
Bottom bar



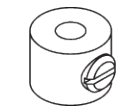
SG 8235
Side guide wire base short



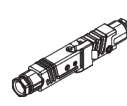
SG 8236
Side guide wire base long



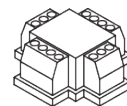
SG 8237
Side guide wire holder



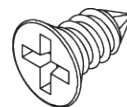
SG 8249
Side guide device



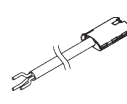
SG 9916
Hirschmann plug set



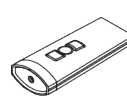
SG 9959
Central control unit relay



SG 10139
Countersunk screw 2.9x6.5



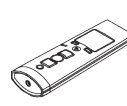
SG 10293
Cable 230V AC, 2/3/5/10 m



SG 10300
Radio hand held 1 channel


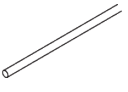
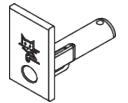
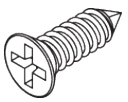




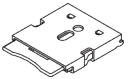


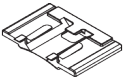

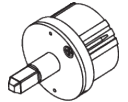

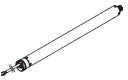



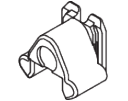


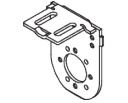

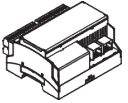


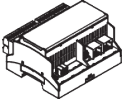

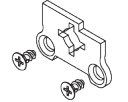
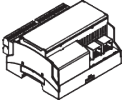

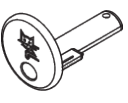
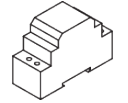
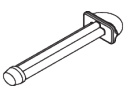
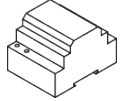
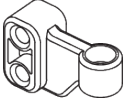



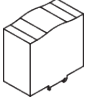





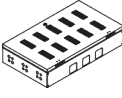
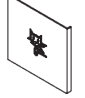

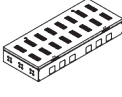





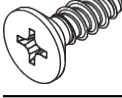


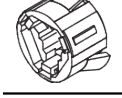
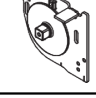

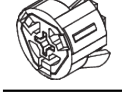
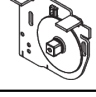

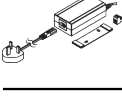
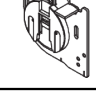
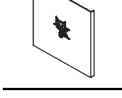
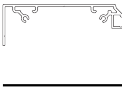
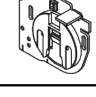

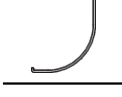
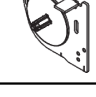

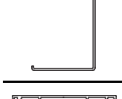

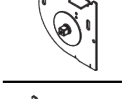
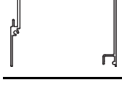
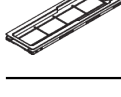
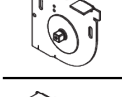



SG 10302
Radio hand held 5+1 channel



SG 10303
Radio hand held 10+2+1 channel

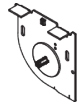
B. OPTIONAL PARTS

	SG 10420 Tubular motor 120V AC, 20 Series 1.5/84 UL		SG 10643 Side guide wire ø 1.3 mm x 4.2 m		SG 10772 Side guide end cover
	SG 10498 Countersunk screw 2.9x9.5		SG 10651 Connection flange		SG 10804 Radio hand held 15+5+1 channel
	SG 10534 Installation profile		SG 10669 Side guide double base long		SG 11178 End cover
	SG 10539 Bracket		SG 10673 Side guide double base short		SG 11180 Clamp
	SG 10544 Bracket		SG 10690 Spacer		SG 11240 Motor 100-240V AC, 40-Series 1.5/55, radio receiver
	SG 10558 Connection tube adapter		SG 10692 Motor 24 V DC, 2/38		SG 11243 Motor 24V DC, 40-Series 1.5/55, radio receiver
	SG 10622 Tube adapter, 24V DC motor		SG 10701 Side guide double wire holder		SG 11250 Motor 24V DC, 50-Series 1.5/55
	SG 10625 Motor flange, 10/20-Series		SG 10706 Side guide wire ø 1.3 mm x 2.6 m		SG 11258 Tube adapter
	SG 10626 Connection bracket		SG 10708 Adapter set, 24 V DC		SG 11260 Gateway Cedia
	SG 10627 Connection flange		SG 10747 Motor plate S		SG 11261 Gateway KNX
	SG 10628 Connection tube adapter		SG 10753 Motor plate		SG 11262 Expansion unit
	SG 10632 Connection bracket cover		SG 10762 Side guide end cover		SG 11263 Power supply 24V DC, 2.5A DIN Rail
	SG 10641 Side guide eyelet		SG 10770 Bottom bar		SG 11264 Power supply 24V DC, 3.8A DIN Rail
	SG 10642 Side guide wire holder		SG 10771 End cover		SG 11265 Power supply 24V DC, 5A DIN Rail

	SG 11266 Power supply 24V DC, 10A DIN Rail		SG 11437 Bracket cover round left 73 mm		SG 11490 Radio wall transmitter 5+1 channel
	SG 11281 Cabinet for 8 systems		SG 11438 Bracket cover round right 73 mm		SG 11530 Installation profile fascia 110 mm
	SG 11282 Cabinet for 24 systems		SG 11439 Bracket cover square left 73 mm		SG 11531 Fascia round 110 mm
	SG 11283 Cabinet for 56 systems		SG 11440 Bracket cover square right 73 mm		SG 11532 Fascia square 110 mm
	SG 11319 Plug 4-pin, MC 1.5/4-ST-3.81		SG 11442 Bottom bar		SG 11533 Box case 110 mm
	SG 11322 PT Screw Countersunk KA35x10 WN 1413		SG 11443 End cover		SG 11534 Box cover 110 mm
	SG 11356 Motor drive 40/50-Series		SG 11446 Bracket left 73 mm		SG 11537 Bracket cover round left 110 mm
	SG 11357 Motor drive Somfy 24 V DC		SG 11447 Bracket right 73 mm		SG 11538 Bracket cover round right 110 mm
	SG 11425 Power supply 24V / 2A including cable with UK plug		SG 11448 Bracket left 73 mm		SG 11539 Bracket cover square left 110 mm
	SG 11430 Installation profile fascia 73 mm		SG 11449 Bracket right 73 mm		SG 11540 Bracket cover square right 110 mm
	SG 11431 Fascia round 73 mm		SG 11450 Bracket left 73 mm		SG 11542 Side guide channel
	SG 11432 Fascia square 73 mm		SG 11451 Bracket right 73 mm		SG 11546 Bracket left 110 mm
	SG 11433 Box case 73 mm		SG 11460 Cover for Hirschmann plug		SG 11547 Bracket right 110 mm
	SG 11434 Box cover 73 mm		SG 11480 Radio wall transmitter 1 channel		SG 11548 Bracket left 110 mm



SG 11549
Bracket right 110 mm



SG 11550
Bracket left 110 mm



SG 11551
Bracket right 110 mm



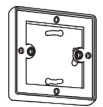
SG 20336
Hand held transmitter 8 channel



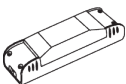
SG 20913
Wall switch single channel



SG 20914
Wall switch 8 channel

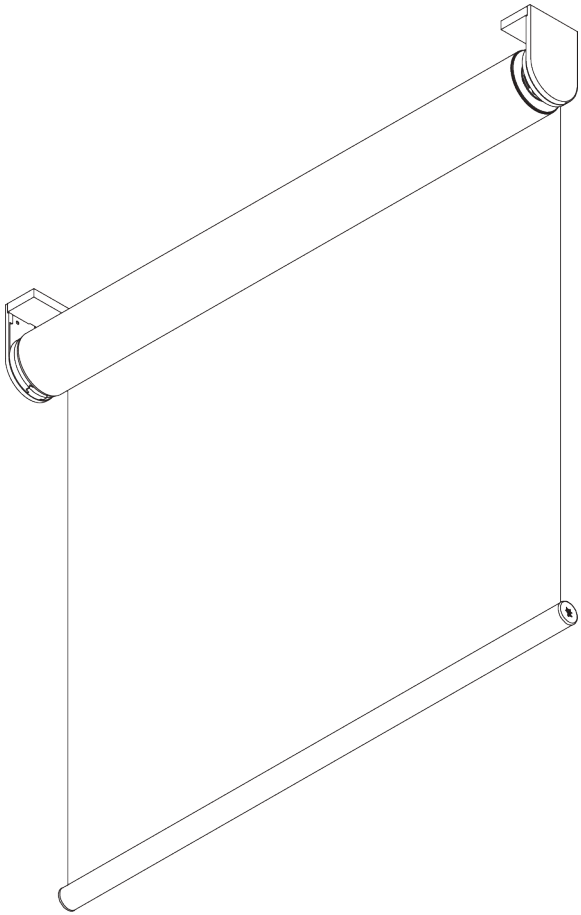
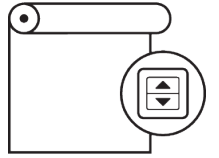


SG 20917
Pattress box



SG 20919
Control module motor type R

SG 4970



PRODUCT INFORMATION

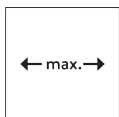
- **Operation:** motorised
- **Range:** M - L
- **Fitting:** ceiling, wall, recess
- **Colours:** white RAL 9016, grey RAL 7035, black RAL 9005; special colours possible
- **Fabrics:** refer to Silent Gliss fabric collection

Features:

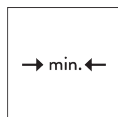
- Quiet and fast motors
- Soft stop
- Various control options
- Two connected systems
- Click-in brackets, fascia, box, installation profile

SYSTEM SPECIFICATIONS

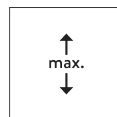
A. SYSTEM DIMENSIONS



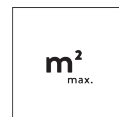
Single system: 3.4 m
Double system: 6.8 m



65 cm*
*see motor specification
table



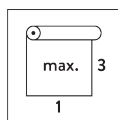
5 m



Single system: 17 m²
Double system: 34 m²



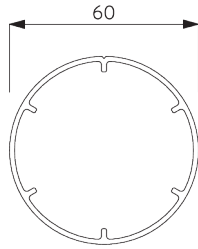
10 kg



Recommended width /
height ratio
max. 1:3

B. PROFILE

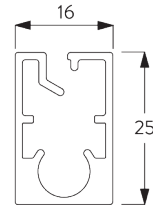
Profile information



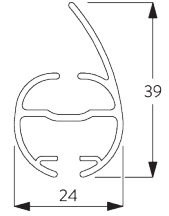
SG 11037
Tube ø 60 mm



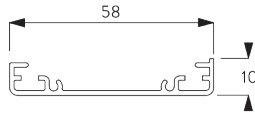
SG 10760
Bottom bar



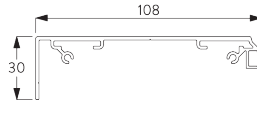
SG 10770
Bottom bar



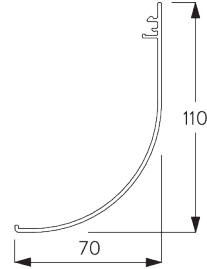
SG 4903
Bottom bar



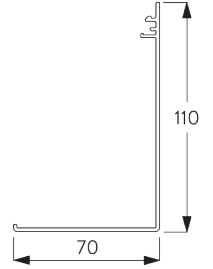
SG 11181
Installation profile



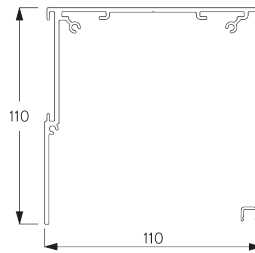
SG 11530
Installation profile fascia 110 mm



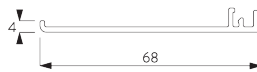
SG 11531
Fascia round 110 mm



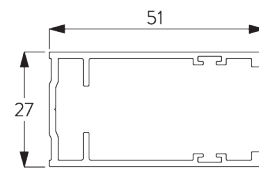
SG 11532
Fascia square 110 mm



SG 11533
Box case 110 mm



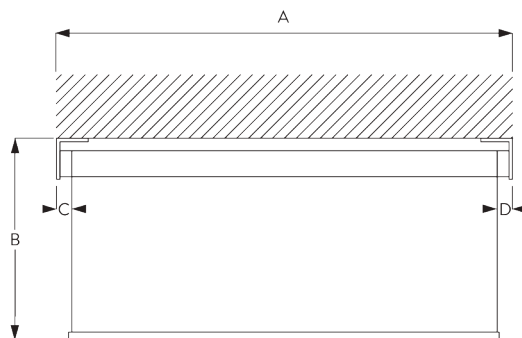
SG 11534
Box cover 110 mm



SG 11542
Side guide channel

C. HOW TO MEASURE

incl. bracket covers

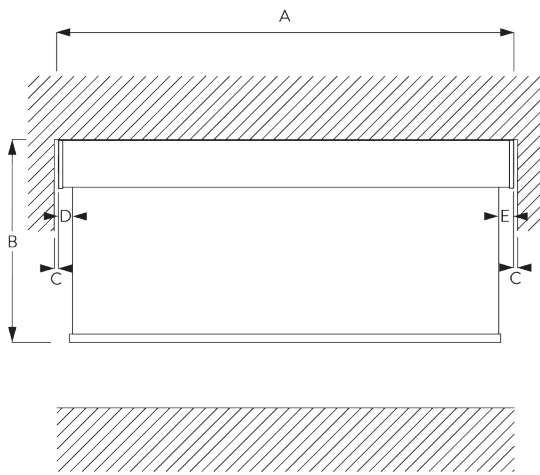


A: System width
B: System height
C: Light gap: 18 mm
D: Light gap operation side: 25 mm

Note:
Different light gaps see motor specifications.
All measurements include 2 mm for bracket cover per side!



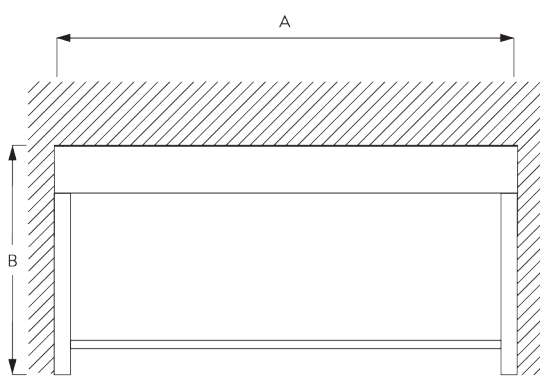
Fascia / Box



- A: System width
- B: System height
- C: Gap: min. 10 mm (when cover is used)*
- D: Light gap: 20 mm
- E: Light gap operation side: 27 mm

Note:
Different light gaps see motor specifications.
*Possible to make Fascia wider than system to reduce gap between wall and system.

Fascia / Box with Side Profiles SG 11542



- A: System width
- B: System height

D. SPECIFICATION

TEXT

Silent Gliss SG 4970 Electrically Operated Roller Blind with SG Smart by Silent Gliss enabled motor. Roller blind system for medium to large size blind applications up to 3.4m wide. Supplied made to measure and complete comprising anodised aluminium barrel SG 11037. Fixed to wall / ceiling / inside recess with brackets SG 11172 and bracket covers SG 11173. Brackets and hardware in white / grey / black finish. Assembled with powder coated white finish aluminium bottom weight bar SG 10760 as standard (other shape options available). Integral 230V 50 Hz powered motor SG 11251 left / right side. Operation only via Silent Gliss Smart Gateway and associated components in conjunction with compatible third-party control systems. All wiring to be strictly in accordance with Silent Gliss wiring diagrams. Fabric to be chosen from the Silent Gliss fabric range, Price Group 1R / 2R / 3R.

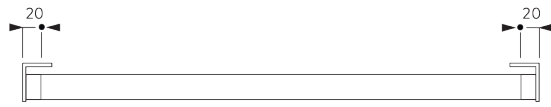
Silent Gliss SG 4970 Electrically Operated Roller Blind System with Series 40 motor. Roller blind system for heavy weight applications. Roller blind system for medium to large size blind applications up to 3.4m wide. Supplied made to measure and complete comprising anodised aluminium barrel SG 11037. Fixed to wall / ceiling / inside recess with brackets SG 11172 and bracket covers SG 11173. Brackets and hardware in white / grey / black finish. Assembled with powder coated white aluminium bottom weight bar SG 10760 as standard (other shape options available). Integral 24V DC (transformer not included) /100-240V AC 50/60Hz motor SG 11241 / SG 11244. Operation by dry contact switching either from fixed switch (not supplied) or third-party control system and/or SG Control L radio control system via integrated receiver. SG Control L components supplied at additional cost. All wiring to be strictly in accordance with Silent Gliss wiring diagrams. Fabric to be chosen from the Silent Gliss fabric range, Price Group 1R / 2R / 3R.

Silent Gliss SG 4970 Electrically Operated Roller Blind System with Series 20 motor. Roller blind system for medium to large size blind applications up to 3.4m wide. Supplied made to measure and complete comprising anodised aluminium barrel SG 11037. Fixed to wall / ceiling / inside recess with brackets SG 11172 and bracket covers SG 11173. Brackets and hardware in white / grey / black finish. Assembled with powder coated white aluminium bottom weight bar SG 10760 as standard (other shape options available). Integral 24V DC powered motor SG 10522 left / right side. Operation by mains switch (not supplied) or mains switching by third party control system or SG Control R remote control system, wireless controls at extra cost. All wiring to be strictly in accordance with Silent Gliss wiring diagrams. Fabric to be chosen from the Silent Gliss fabric range, Price Group 1R / 2R / 3R.

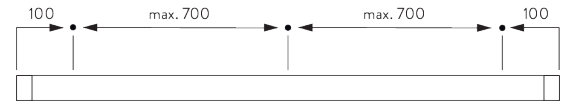
FITTING

A. FITTING INFORMATION

Fixing points

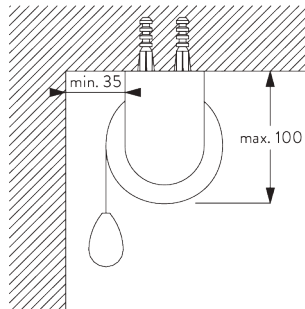


Brackets (wall / ceiling)

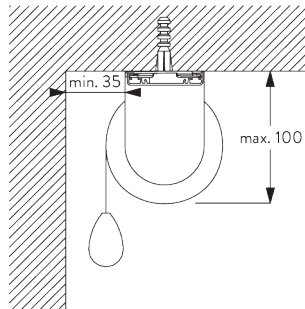


Fascia / box & installation profile SG 11181 (wall / ceiling)

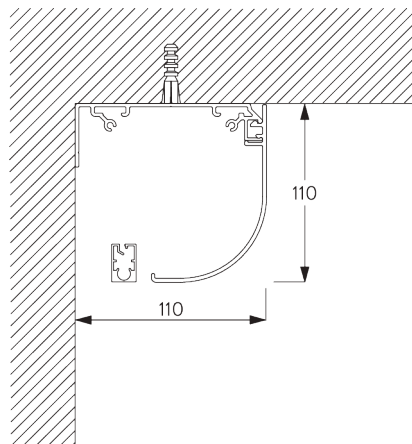
B. CEILING FITTING



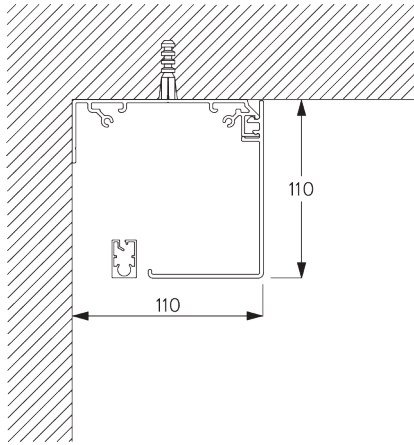
Brackets



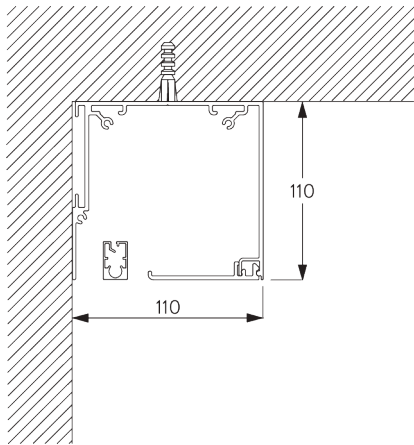
Installation profile SG 11181 and clamp SG 11180



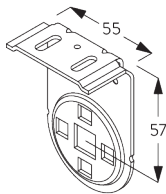
Fascia round



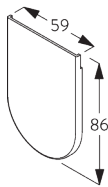
Fascia square



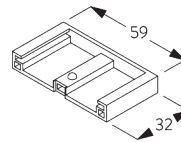
Box



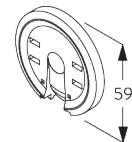
SG 11172
Bracket



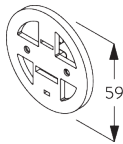
SG 11173
Bracket cover



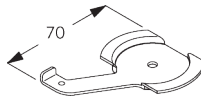
SG 11174
Bracket cover



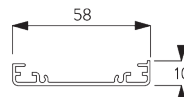
SG 11175
Click flange



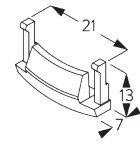
SG 11177
Motor support



SG 11180
Clamp

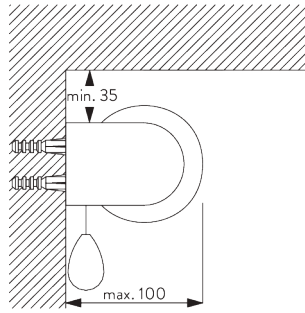


SG 11181
Installation profile

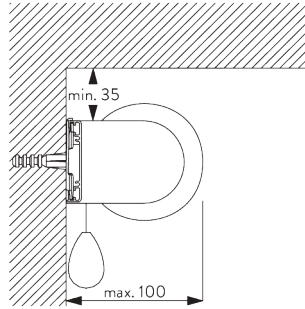


SG 11179
Cover

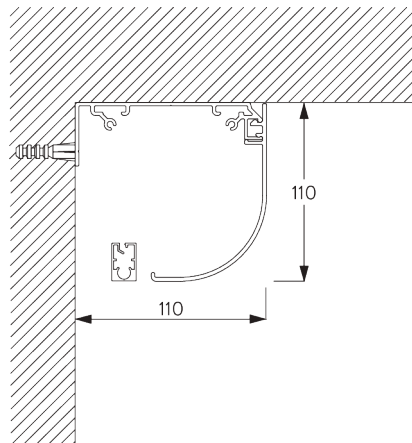
C. WALL FITTING



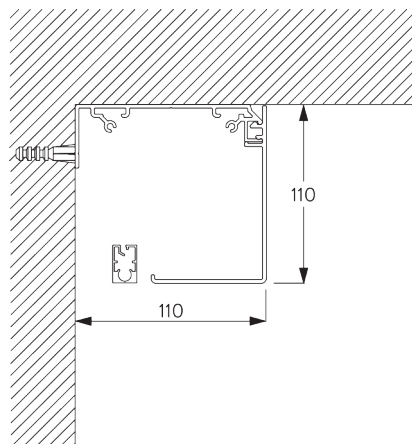
Brackets



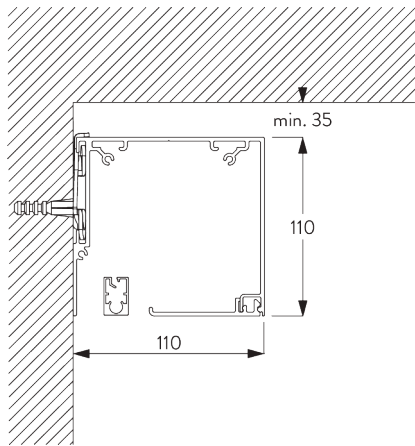
Installation profile SG 11181 and clamp SG 11180



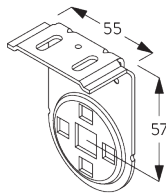
Fascia round



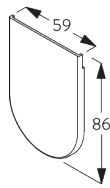
Fascia square



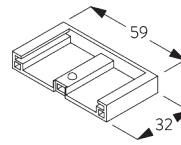
Box and clamp SG 11180



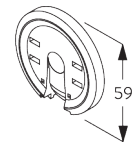
SG 11172
Bracket



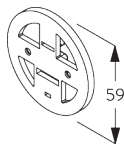
SG 11173
Bracket cover



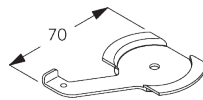
SG 11174
Bracket cover



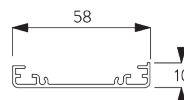
SG 11175
Click flange



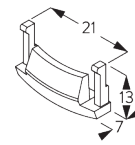
SG 11177
Motor support



SG 11180
Clamp

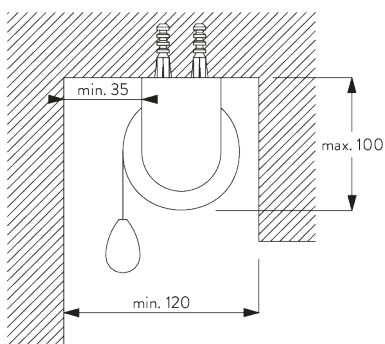


SG 11181
Installation profile

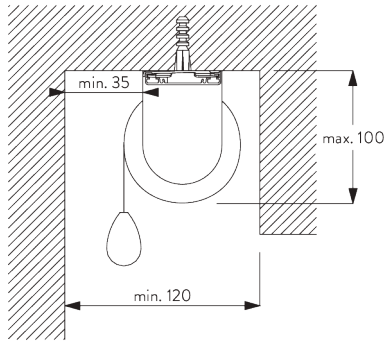


SG 11179
Cover

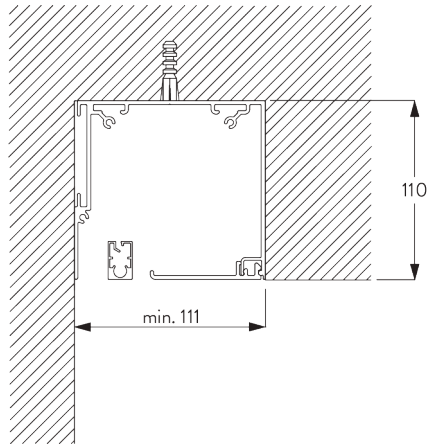
D. RECESS FITTING



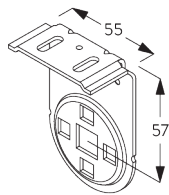
Brackets



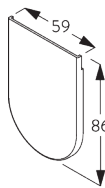
Installation profile SG 11181 and clamp SG 11180



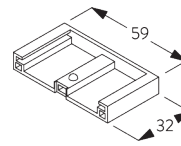
Box



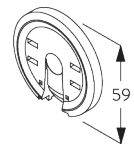
SG 11172
Bracket



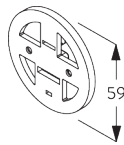
SG 11173
Bracket cover



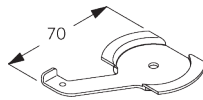
SG 11174
Bracket cover



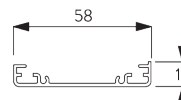
SG 11175
Click flange



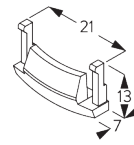
SG 11177
Motor support



SG 11180
Clamp

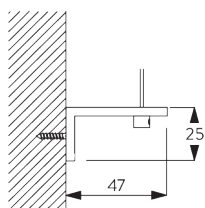


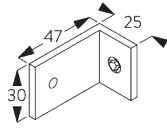
SG 11181
Installation profile



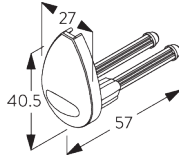
SG 11179
Cover

**E. FITTING WITH
SIDE GUIDE
OPTION**

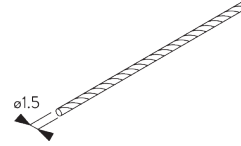




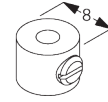
SG 3036
Bracket 47 mm



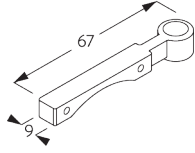
SG 4944
Side guide end cover



SG 4948
Side guide wire ø 1.5 mm



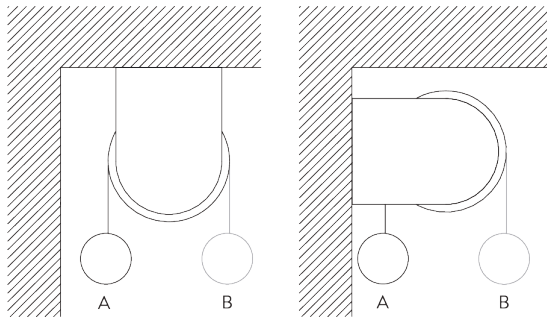
SG 8249
Side guide device



SG 1182
Side guide wire holder

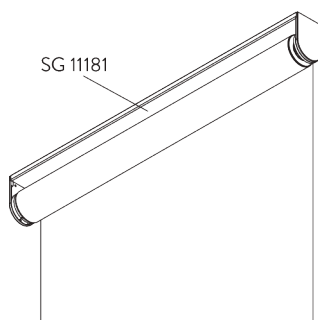
SYSTEM OPTIONS

A. FABRIC ROLL-OFF

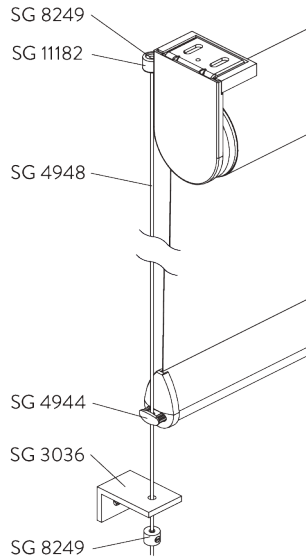


A: Fabric roll-off window side (standard)
B: Fabric roll-off room side (option)

B. INSTALLATION PROFILE



C. SIDE GUIDES



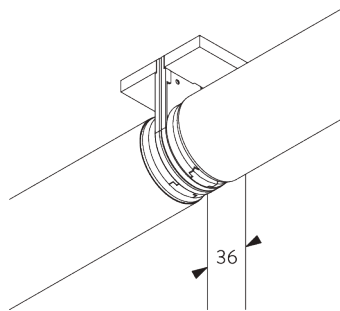
Additional parts:

- 2x SG 3036 Bracket
- 2x SG 4944 Side guide end cover
- 2x SG 4948 Side guide wire \varnothing 1.5 mm
- 4x SG 8249 Side guide device
- 2x SG 11182 Side guide wire holder

Note:

- Light gaps increase when side-guide option is used
- Up to 15° from vertical
- Only applicable with bottom bar SG 4903

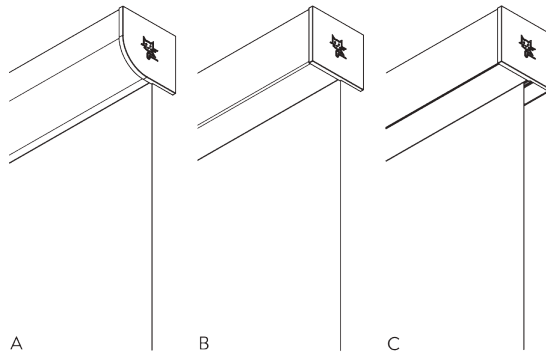
D. TWO CONNECTED SYSTEMS



Additional parts:

- 1x SG 11175 Click flange
- 1x SG 11183 Connecting bolt
- 2x SG 11184 Connection bracket cover
- 1x SG 11195 Connection tube adapter

E. FASCIA / BOX



A: Fascia round

B: Fascia square

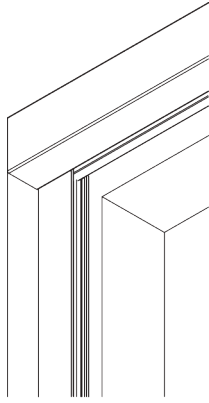
C: Box

Size

- 110 x 110 mm

Note:

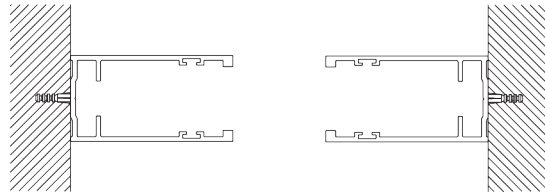
- Only applicable with bottom bar SG 10770
- Not possible with connected systems
- Two systems with one Fascia possible upon request



Optional side guide channels SG 11542 to be used with Fascia or Box.

Note:

- Only applicable with inside fitting
- Box: only recess fitting



MOTORS & CONTROLS

A. MOTOR FEATURES

	50-Series	40-Series	20-Series
Motors	SG 11251	SG 11241 SG 11244	SG 10422 SG 10522

Motor Features

Soft stop	•	•	•
Electronic end-stop	•	•	•
Electronic revolution counter (unlimited revolution)	•	•	•
Mechanical end-stop			
Mechanical revolution counter (limited revolution)			
Two intermediate positions possible		•	
Bottom bar alignment	•	•	
Noiseless stop			•
Parallel wiring possible without additional relays		•	•
Disconnectable motor cable	•	•	•
IP class	IP 30	IP 30	IP 44

Control Features

Mains power control			•
Dry contact control		•	
Dry contact and / or SG Control L control		•	
SG Control L (built-in receiver)		•	
SG Control R (external receiver required)			•
Smart by Silent Gliss	•		
Suitable for most major home automation systems (with suitable interface)		•	•

B. MOTOR SPECIFICATIONS

Motors	Light gaps* C / D= driving side	Min. system width	Voltage	Current	Frequency	Speed	Frequency receiver
50-Series (Smart by Silent Gliss)							
SG 11251	C: 18 mm / D: 26 mm	65 cm	24 V DC	1.5 A	n/a	32 rpm	n/a
40-Series							
SG 11241	C: 18 mm / D: 26 mm	87 cm	100-240 V AC	0.6 A	50-60 Hz	32 rpm	868 MHz
SG 11244	C: 18 mm / D: 26 mm	65 cm	24 V DC	1.5 A	n/a	32 rpm	868 MHz
20-Series							
SG 10422	C: 18 mm / D: 25 mm	65 cm	120 V AC	1.1 A	50 Hz	36 rpm	n/a
SG 10522 (standard)	C: 18 mm / D: 25 mm	65 cm	230 V AC	0.55 A	50 Hz	30 rpm	n/a

*Light gaps Fascia or Box: C +3 mm / D +2 mm (20-Series: C +2 mm / D +2 mm)

C. OPERATING METHODS

See catalogue "controls" for details.

Wall Switch



System can be operated by fixed wall switch.

SG Control L



Various radio hand-held and wall transmitters available.



Silent Gliss Move App.

SG Control R



Various radio hand-held and wall transmitters available.
An external receiver is required.

Smart by Silent Gliss



Open designed two-way communication system which allows to flawlessly integrate products with most major home control systems.

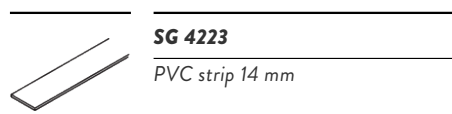
D. WIRING DIAGRAMS



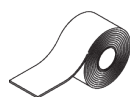
Refer to Silent Gliss website.

PARTS

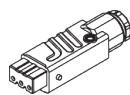
A. STANDARD PARTS



SG 4223
PVC strip 14 mm



SG 4226
Double tape 30 mm



SG 9917
Hirschmann portable socket-outlet STAK 3 N



SG 10284
O-Ring



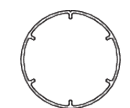
SG 10522
Motor 230V AC, 20-Series 3/30



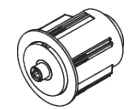
SG 10760
Bottom bar



SG 10761
End cover



SG 11037
Tube ø 60 mm



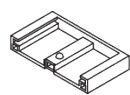
SG 11165
Tube adapter



SG 11172
Bracket



SG 11173
Bracket cover



SG 11174
Bracket cover



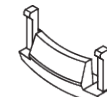
SG 11175
Click flange



SG 11176
Tube adapter



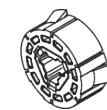
SG 11177
Motor support



SG 11179
Cover

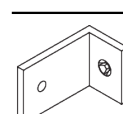


SG 11323
PT Screw Countersunk KA35x12 WN 1413

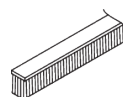


SG 11358
Motor drive 10/20-Series

B. OPTIONAL PARTS



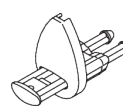
SG 3036
Bracket 47 mm



SG 4508
Brush 5x7 mm



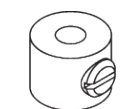
SG 4903
Bottom bar



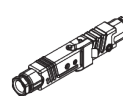
SG 4944
Side guide end cover



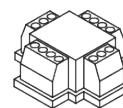
SG 4948
Side guide wire ø 1.5 mm



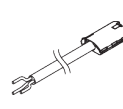
SG 8249
Side guide device



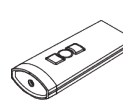
SG 9916
Hirschmann plug set



SG 9959
Central control unit relay



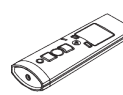
SG 10293
Cable 230V AC, 2/3/5/10 m



SG 10300
Radio hand held 1 channel



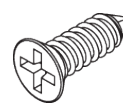
SG 10302
Radio hand held 5+1 channel



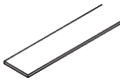
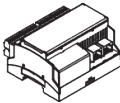


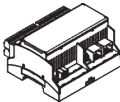


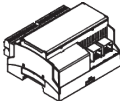


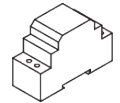


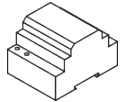


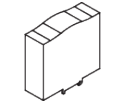
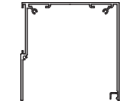

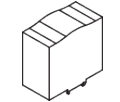

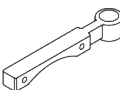


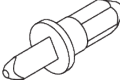
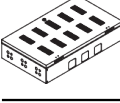
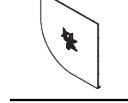

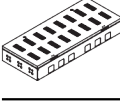
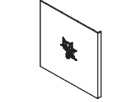
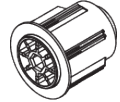
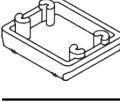
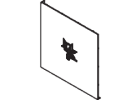

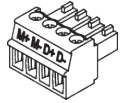
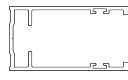



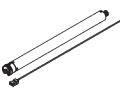
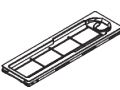

SG 10303
Radio hand held 10+2+1 channel



SG 10422
Tubular motor 120V AC, 20 Series 3/36, UL



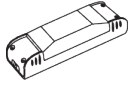
SG 10498
Countersunk screw 2.9x9.5

	SG 10668 PVC strip 10 mm		SG 11260 Gateway Cedia		SG 11480 Radio wall transmitter 1 channel
	SG 10770 Bottom bar		SG 11261 Gateway KNX		SG 11490 Radio wall transmitter 5+1 channel
	SG 10771 End cover		SG 11262 Expansion unit		SG 11530 Installation profile fascia 110 mm
	SG 10804 Radio hand held 15+5+1 channel		SG 11263 Power supply 24V DC, 2.5A DIN Rail		SG 11531 Fascia round 110 mm
	SG 11178 End cover		SG 11264 Power supply 24V DC, 3.8A DIN Rail		SG 11532 Fascia square 110 mm
	SG 11180 Clamp		SG 11265 Power supply 24V DC, 5A DIN Rail		SG 11533 Box case 110 mm
	SG 11181 Installation profile		SG 11266 Power supply 24V DC, 10A DIN Rail		SG 11534 Box cover 110 mm
	SG 11182 Side guide wire holder		SG 11281 Cabinet for 8 systems		SG 11537 Bracket cover round left 110 mm
	SG 11183 Connection bolt		SG 11282 Cabinet for 24 systems		SG 11538 Bracket cover round right 110 mm
	SG 11184 Connection bracket cover		SG 11283 Cabinet for 56 systems		SG 11539 Bracket cover square left 110 mm
	SG 11195 Connection tube adapter		SG 11311 Bracket spacer		SG 11540 Bracket cover square right 110 mm
	SG 11241 Tubular motor 100-240V AC, 40-Series 3/32, radio receiver		SG 11319 Plug 4-pin, MC 1.5/4-ST-3.81		SG 11542 Side guide channel
	SG 11244 Tubular motor 24V DC, 40 Series 3/32, radio receiver		SG 11360 Motor drive 40/50-Series		SG 11544 Bracket left 110 mm
	SG 11251 Motor 24V DC, 50-Series 3/32		SG 11460 Cover for Hirschmann plug		SG 11545 Bracket right 110 mm



SG 20336

Hand held transmitter 8 channel



SG 20907

Control module motor type R



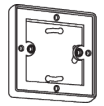
SG 20913

Wall switch single channel



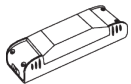
SG 20914

Wall switch 8 channel



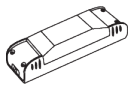
SG 20917

Pattress box



SG 20918

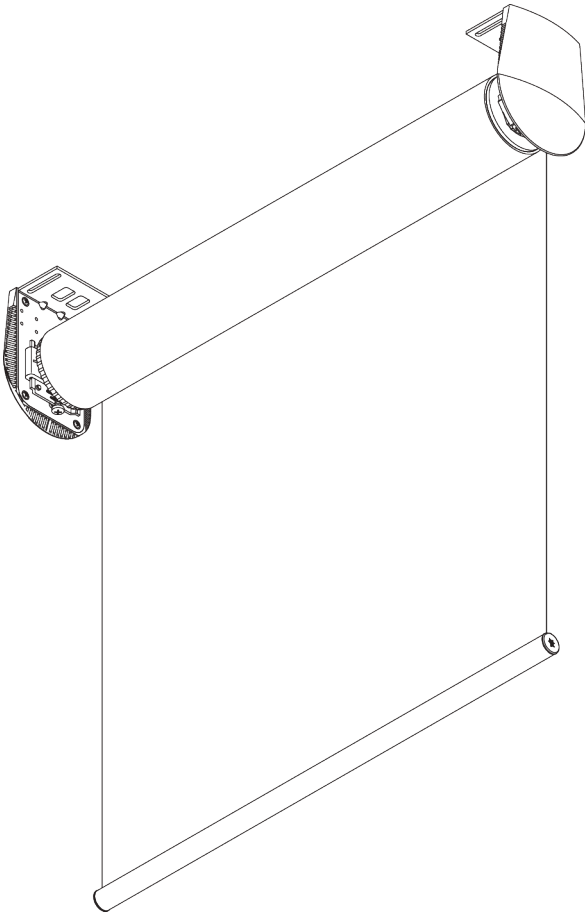
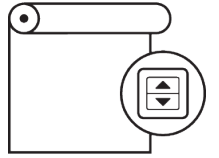
Control module motor type A,AA



SG 20919

Control module motor type R

SG 4880



PRODUCT INFORMATION

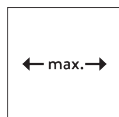
- **Operation:** motorised
- **Range:** L
- **Fitting:** ceiling, wall, recess
- **Colours:** white RAL 9016; special colours or anodised aluminum possible
- **Fabrics:** refer to Silent Gliss fabric collection

Features:

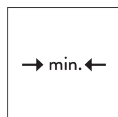
- Quiet and fast motors
- Soft stop
- Various control options
- Stainless steel brackets, adjustable for vertical alignment of fabric

SYSTEM SPECIFICATIONS

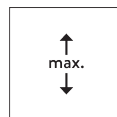
A. SYSTEM DIMENSIONS



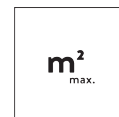
Tube SG 4957: 5 m
Tube SG 4901: 4 m



72 cm*
*see motor specification table



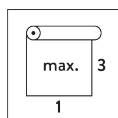
Tube SG 4957: 9 m
Tube SG 4901: 12 m



36 m²




23 kg



Recommended width /
height ratio
max. 1:3

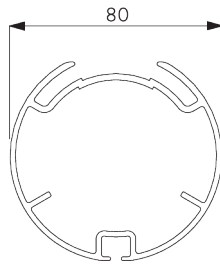
Maximum surface area

B ↓	A →								 ● SG 4901 (ø 80 mm)
	2 m	2.5 m	3 m	3.5 m	4 m	4.5 m	5 m		
2 m	●	●	●	●	○	○	○		
2.5 m	●	●	●	●	○	○	○		
3 m	●	●	●	●	○	○	○		
3.5 m	●	●	●	●	○	○	○		
4 m	●	●	●	●	○	○	○		
4.5 m	●	●	●	●	○	○	○		
5 m	●	●	●	●	○	○	○		
5.5 m	●	●	●	●	○	○	○		
6 m	●	●	●	●	○	○	○		
6.5 m	●	●	●	●	○	○	○		
7 m	●	●	●	●	○	○	○		
7.5 m	●	●	●	●	○	○			
8 m	●	●	●	●	○	○			
8.5 m	●	●	●	●	○				
9 m	●	●	●	●	○				
9.5 m	●	●	●	●					
10 m	●	●	●	●					
10.5 m	●	●	●						
11 m	●	●	●						
11.5 m	●	●	●					max. 36 m ²	
12 m	●	●	●						



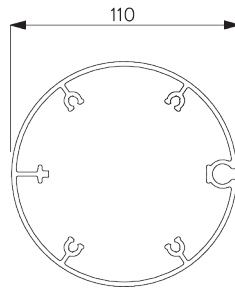
B. PROFILE

Profile information



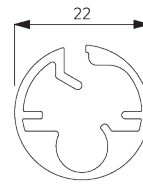
SG 4901

Tube ø 80 mm



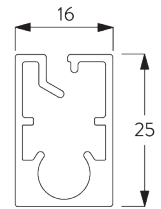
SG 4957

Tube ø 110 mm



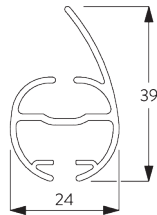
SG 10760

Bottom bar



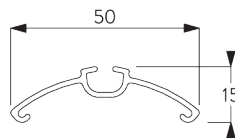
SG 10770

Bottom bar



SG 4903

Bottom bar

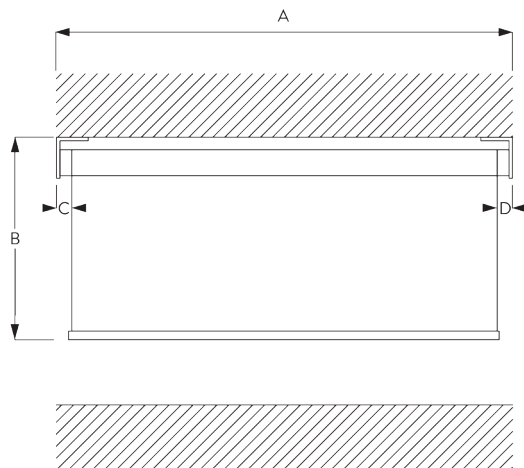


SG 4902

Profile

C. HOW TO MEASURE

*incl. bracket covers
(15 mm)*



A: System width
B: System height

Tube SG 4901 (ø 80 mm):
C: Light gap: 44 mm
D: Light gap operation side: 50 mm

Tube SG 4957 (ø 110 mm):
C: Light gap: 42 mm
D: Light gap operation side: 52 mm

Note:
Different light gaps see motor specifications.
All measurements include 15 mm for bracket cover per side!

D. SPECIFICATION

TEXT

Silent Gliss SG 4880 Electrically Operated Roller Blind with Smart by Silent Gliss enabled motor. Roller blind system for heavy and large size blind applications up to 5m wide. Supplied made to measure and complete comprising anodised aluminium barrel SG 4901 (80mm tube) / SG 4957 (110mm tube) and stainless steel bracket combination set SG 4949. Fix to wall / ceiling / inside recess. Incorporating Silent Gliss patented Quick Twist SG 4902 profile for easy on-site adjustment of the fabric roll up (80mm tube only). Assembled with powder coated white finish aluminium bottom weight bar SG 10760. Integral 24V DC powered Smart by Silent Gliss motor left/right side. Operation only via Silent Gliss Smart Gateway and associated components in conjunction with compatible third-party control systems. All wiring to be strictly in accordance with Silent Gliss wiring diagrams. Fabric to be chosen from the Silent Gliss fabric range, Price Group 1R / 2R / 3R.

Silent Gliss SG 4880 Electrically Operated Roller Blind System with SG Series 40 motor. Roller blind system for heavy and large size blind applications up to 5m wide. Supplied made to measure and complete comprising anodised aluminium barrel SG 4901 (80mm tube) / SG 4957 (110mm tube) and stainless steel bracket combination set SG 4949. Fix to wall / ceiling / inside recess. Incorporating Silent Gliss patented Quick Twist SG 4902 profile for easy on-site adjustment of the fabric roll up. (80mm tube only). Assembled with powder coated white finish aluminium bottom weight bar SG 10760. Integral 24V DC (transformer not included) / 100-240 V AC 50/60Hz motor SG 11248 / SG 11249. Operation by dry contact switching either from fixed switch (not supplied) or third-party control system and / or SG Control L radio control system via integrated receiver. SG Control L components supplied at additional cost. All wiring to be strictly in accordance with Silent Gliss wiring diagrams. Fabric to be chosen from the Silent Gliss fabric range, Price Group 1R / 2R / 3R.

Silent Gliss SG 4880 Electrically Operated Roller Blind System with SG Series 20 motor. Roller blind system for heavy and large size blind applications up to 5m wide. Supplied made to measure and complete comprising anodised aluminium barrel SG 4901 (80mm tube) / SG 4957 (110mm tube) and stainless steel bracket combination set SG 4949. Fix to wall / ceiling / inside recess. Incorporating Silent Gliss patented Quick Twist SG 4902 for easy on-site adjustment of the fabric roll up (80mm tube only). Assembled with powder coated white finish aluminium bottom weight bar SG 10760. Integral 230v 50 Hz powered motor SG 10326. Operation by mains switch (not supplied) / mains switching by third party control system / SG Control R remote control system / SG Control R wireless controls at extra cost. All wiring to be strictly in accordance with Silent Gliss wiring diagrams. Fabric to be chosen from the Silent Gliss fabric range, Price Group 1R / 2R / 3R.

FITTING

A. FITTING INFORMATION

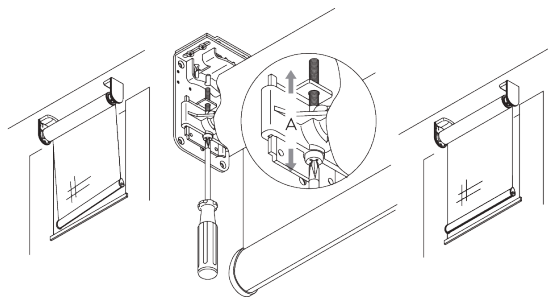
Fixing points

For detailed fitting information, visit the [Silent Gliss website](#).



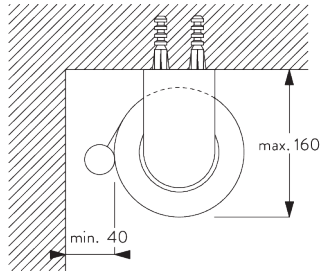
*30 mm without cover
*43 mm with cover

Adjustable brackets (for vertical adjustments)

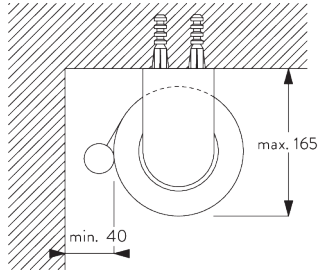


Vertical adjustment of fabric to the window frame.

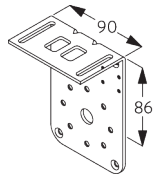
B. CEILING FITTING



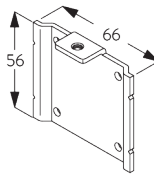
Tube SG 4901 (ø 80 mm)



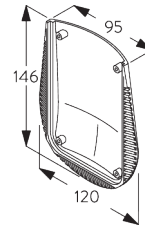
Tube SG 4957 (ø 110 mm)



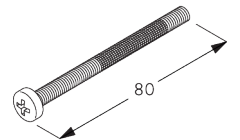
SG 4904
Bracket (set SG 4949)



SG 4906
Plate (set SG 4949)

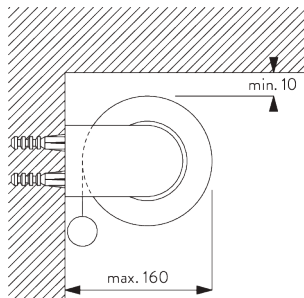


SG 4956
Bracket cover

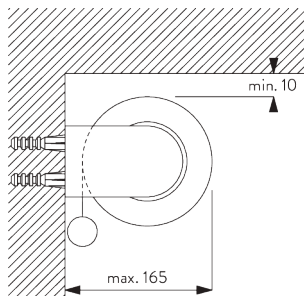


SG 4966
Special screw (set SG 4949)

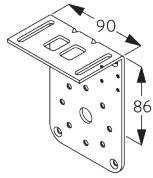
C. WALL FITTING



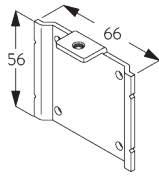
Tube SG 4901 (ø 80 mm)



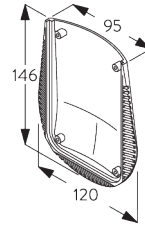
Tube SG 4957 (ø 110 mm)



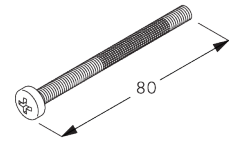
SG 4904
Bracket (set SG 4949)



SG 4906
Plate (set SG 4949)

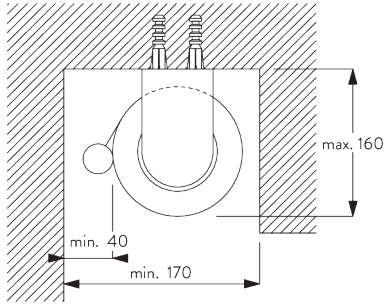


SG 4956
Bracket cover

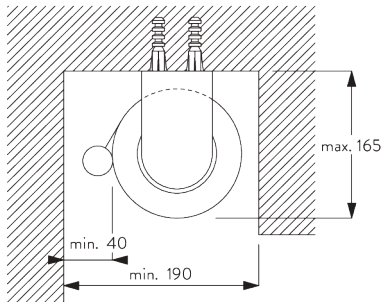


SG 4966
Special screw (set SG 4949)

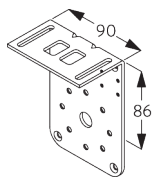
D. RECESS FITTING



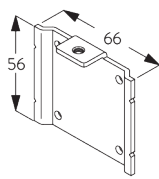
Tube SG 4901 (ø 80 mm)



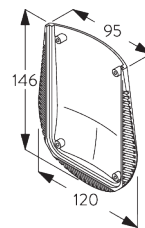
Tube SG 4957 (ø 110 mm)



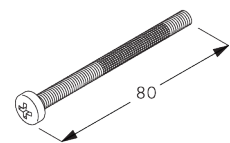
SG 4904
Bracket (set SG 4949)



SG 4906
Plate (set SG 4949)

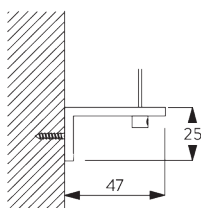


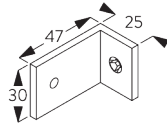
SG 4956
Bracket cover



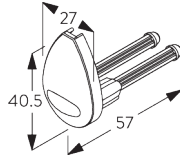
SG 4966
Special screw (set SG 4949)

E. FITTING WITH SIDE GUIDE OPTION

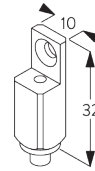




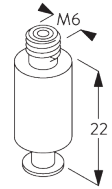
SG 3036
Bracket 47 mm



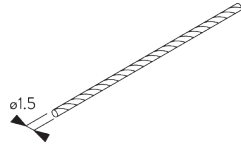
SG 4944
Side guide end cover



SG 4946
Side guide wire rope fastener



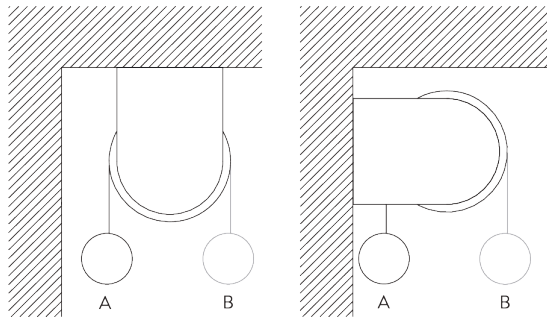
SG 4947
Side guide wire rope fastener



SG 4948
Side guide wire \varnothing 1.5 mm

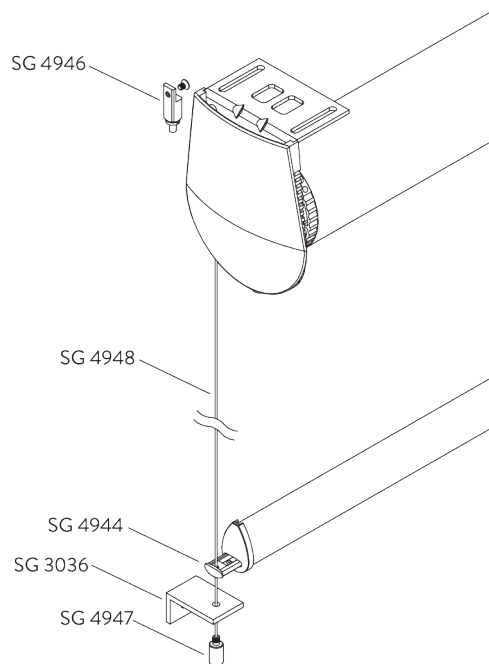
SYSTEM OPTIONS

A. FABRIC ROLL-OFF



A: Fabric roll-off window side (standard)
B: Fabric roll-off room side (option)

B. SIDE GUIDES



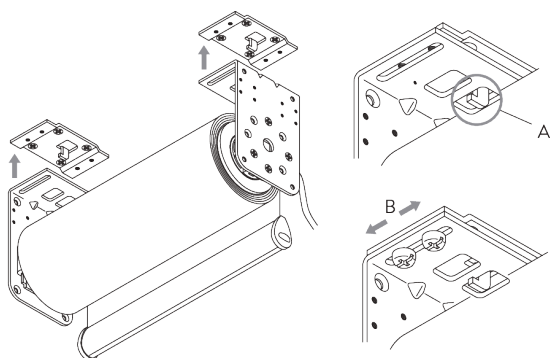
Additional parts:

- 2x SG 3036 Bracket 47 mm
- 2x SG 4944 Side guide end cover
- 2x SG 4946 Side guide wire rope fastener
- 2x SG 4947 Side guide wire rope fastener
- 2x SG 4948 Side guide wire \varnothing 1.5 mm

Note:

- Light gaps increase when side-guide option is used
- Up to 15° from vertical

C. HOOK-IN INSTALLATION PLATES



A: Hook-in plates SG 4972 take the weight of the blind
B: Brackets sideways adjustable by up to 18 mm.

MOTORS & CONTROLS

A. MOTOR FEATURES

	50-Series	40-Series	20-Series
Motors	SG 11255	SG 11248 SG 11249	SG 10326 SG 10428

Motor Features

Soft stop	●	●	●
Electronic end-stop	●	●	●
Electronic revolution counter (unlimited revolution)	●	●	●
Two intermediate positions possible		●	
Bottom bar alignment	●	●	
Noiseless stop			●
Parallel wiring possible without additional relays		●	●
Disconnectable motor cable	●	●	●
IP class	IP 30	IP 30	IP 44

Control Features

Mains power control			●
Dry contact control		●	
Dry contact and / or SG Control L control		●	
SG Control L (built-in receiver)		●	
SG Control R (external receiver required)			●
Smart by Silent Gliss	●		
Suitable for most major home automation systems (with suitable interface)		●	●

B. MOTOR SPECIFICATIONS

Tube SG 4901

Motors	Light gaps C / D = driving side	Min. system width	Voltage	Current	Frequency	Speed	Frequency receiver
--------	------------------------------------	----------------------	---------	---------	-----------	-------	-----------------------

50-Series (Smart by Silent Gliss)

SG 11255	C: 44 mm / D: 51 mm	74 cm	24 V DC	2.95 A	n/a	20 rpm	n/a
----------	---------------------	-------	---------	--------	-----	--------	-----

40-Series

SG 11248	C: 44 mm / D: 51 mm	74 cm	100-240 V AC	1.1 A	50-60 Hz	20 rpm	868 MHz
SG 11249	C: 44 mm / D: 51 mm	74 cm	24 V DC	3 A	n/a	20 rpm	868 MHz

20-Series

SG 10326 (standard)	C: 44 mm / D: 50 mm	72 cm	230 V AC	0.9 A	50 Hz	23 rpm	n/a
SG 10428	C: 44 mm / D: 50 mm	72 cm	120 V AC	1.75 A	50 Hz	17 rpm	n/a

Tube SG 4957

Motors	Light gaps C / D = driving side	Min. system width	Voltage	Current	Frequency	Speed	Frequency receiver
50-Series (Smart by Silent Gliss)							
SG 11255	C: 42 mm / D: 54 mm	74 cm	24 V DC	2.95 A	n/a	20 rpm	n/a
40-Series							
SG 11248	C: 42 mm / D: 54 mm	74 cm	100-240 V AC	1.1 A	50-60 Hz	20 rpm	868 MHz
SG 11249	C: 42 mm / D: 54 mm	74 cm	24 V DC	3 A	n/a	20 rpm	868 MHz
20-Series							
SG 10326 (standard)	C: 42 mm / D: 52 mm	73 cm	230 V AC	0.9 A	50 Hz	23 rpm	n/a
SG 10428	C: 42 mm / D: 52 mm	73 cm	120 V AC	1.75 A	50 Hz	17 rpm	n/a

**C. OPERATING
METHODS**

See catalogue "controls" for details.

Wall Switch



System can be operated by fixed wall switch.

SG Control L



Various radio hand-held and wall transmitters available.



Silent Gliss Move App.

SG Control R



Various radio hand-held and wall transmitters available. An external receiver is required.

Smart by Silent Gliss



Open designed two-way communication system which allows to flawlessly integrate products with most major building management systems.


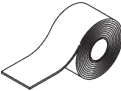


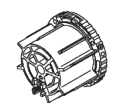
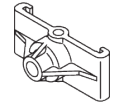

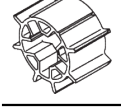
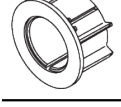
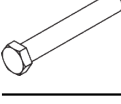
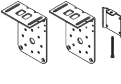

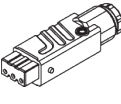
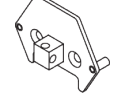
**D. WIRING
DIAGRAMS**

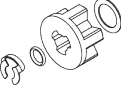

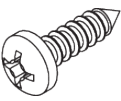
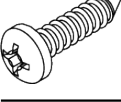
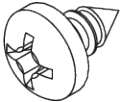
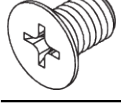




Refer to Silent Gliss website.

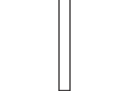
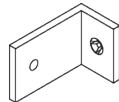
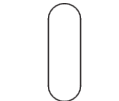

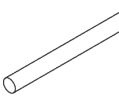
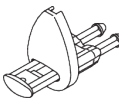
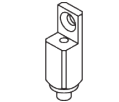


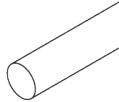
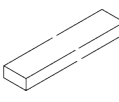

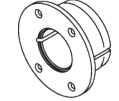
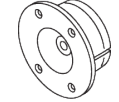
PARTS


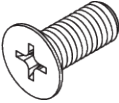
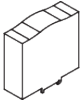
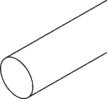
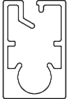
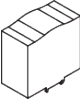
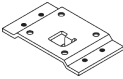


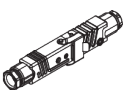


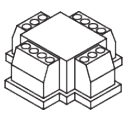

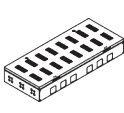
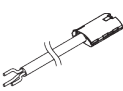



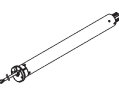
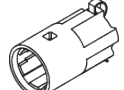


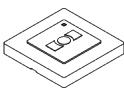

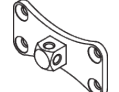
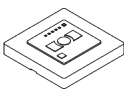

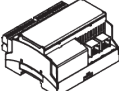





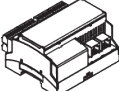

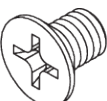
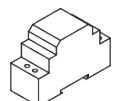
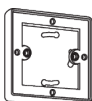
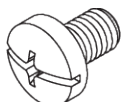
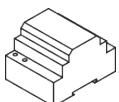
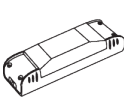
A. STANDARD PARTS

	SG 4223 PVC strip 14 mm
	SG 4226 Double tape 30 mm
	SG 4901 Tube ø 80 mm
	SG 4902 Profile
	SG 4914 Tube adapter
	SG 4915 Support
	SG 4926 Motor flange
	SG 4927 Motor drive
	SG 4928 Tube adapter
	SG 4939 Shaft
	SG 4949 Bracket set
	SG 4956 Bracket cover
	SG 9917 Hirschmann portable socket-outlet STAK 3 N
	SG 10285 Motor plate M

	SG 10292 Motor drive set
	SG 10326 Tubular motor 230V AC, 20 Series 15/23
	SG 10503 Pan head screw 3.5x13
	SG 10506 Pan head screw 3.9x16
	SG 10507 Pan head screw 3.5x6.5
	SG 10509 Countersunk head screw M5x8
	SG 10760 Bottom bar
	SG 10761 End cover

B. OPTIONAL PARTS

	SG 2006 Bottom bar 28x3 mm
	SG 3036 Bracket 47 mm
	SG 4752 Bottom bar plastic
	SG 4903 Bottom bar
	SG 4943 Rod ø 4 mm
	SG 4944 Side guide end cover
	SG 4946 Side guide wire rope fastener
	SG 4947 Side guide wire rope fastener
	SG 4948 Side guide wire ø 1.5 mm
	SG 4951 Bottom weight ø 8 mm
	SG 4952 Bar weight
	SG 4957 Tube ø 110 mm
	SG 4959 Tube adapter
	SG 4961 Tube adapter

	SG 4962 Motor drive		SG 10508 Countersunk head screw M5x12		SG 11265 Power supply 24V DC, 5A DIN Rail
	SG 4963 Rod ø 6 mm		SG 10770 Bottom bar		SG 11266 Power supply 24V DC, 10A DIN Rail
	SG 4972 Installation plate		SG 10771 End cover		SG 11281 Cabinet for 8 systems
	SG 9916 Hirschmann plug set		SG 10804 Radio hand held 15+5+1 channel		SG 11282 Cabinet for 24 systems
	SG 9959 Central control unit relay		SG 11178 End cover		SG 11283 Cabinet for 56 systems
	SG 10293 Cable 230V AC, 2/3/5/10 m		SG 11248 Tubular motor 100-240V AC, 40-Series 10/20, radio receiver		SG 11319 Plug 4-pin, MC 1.5/4-ST-3.81
	SG 10300 Radio hand held 1 channel		SG 11249 Tubular motor 24V DC, 40-Series 10/20		SG 11321 Motor drive
	SG 10302 Radio hand held 5+1 channel		SG 11255 Motor 24V DC, 50-Series 10/20		SG 11480 Radio wall transmitter 1 channel
	SG 10303 Radio hand held 10+2+1 channel		SG 11259 Motor plate M		SG 11490 Radio wall transmitter 5+1 channel
	SG 10327 Tubular motor 230V AC, 20 Series 15/23, radio receiver		SG 11260 Gateway Cedia		SG 20336 Hand held transmitter 8 channel
	SG 10428 Tubular motor 120V AC, 20 Series 16/17, UL		SG 11261 Gateway KNX		SG 20913 Wall switch single channel
	SG 10429 Tubular motor 120V AC, 20 Series 16/17, UL		SG 11262 Expansion unit		SG 20914 Wall switch 8 channel
	SG 10502 Countersunk head screw M4x6		SG 11263 Power supply 24V DC, 2.5A DIN Rail		SG 20917 Pattress box
	SG 10504 Pan head screw Freedrive M5x8		SG 11264 Power supply 24V DC, 3.8A DIN Rail		SG 20919 Control module motor type R

The Architects of Silence

Silent Gliss is the leading global supplier of premium interior window treatments. Since 1952 we have been tirelessly committed to the development of the world's smoothest, quietest systems using state of the art technology.

Driven by customer needs, Silent Gliss offers functional and durable products. Expert technical advice coupled with installation and support services complete the offer. Silent Gliss stands for innovative, sustainable, tailor made solutions, exceptional design and first-class quality.

Silent Gliss Ltd.

Pyramid Business Park
Poorhole Lane, Broadstairs
Kent CT10 2PT
United Kingdom
T +44 1843 863571
F +44 1843 864503
info@silentgliss.co.uk

Silent Gliss Global Ltd.

Pyramid Business Park
Poorhole Lane, Broadstairs
Kent CT10 2PT
United Kingdom
T +44 1843 874250
F +44 1843 864503
info@silentglissglobal.com

Silent Gliss Blinds Trading LLC

Office 1906
The H Hotel Complex
Trade Center First
Dubai
United Arab Emirates
T +971 4 7050318
info@silentgliss.ae

silentgliss.co.uk
silentglissglobal.com
silentgliss.ae