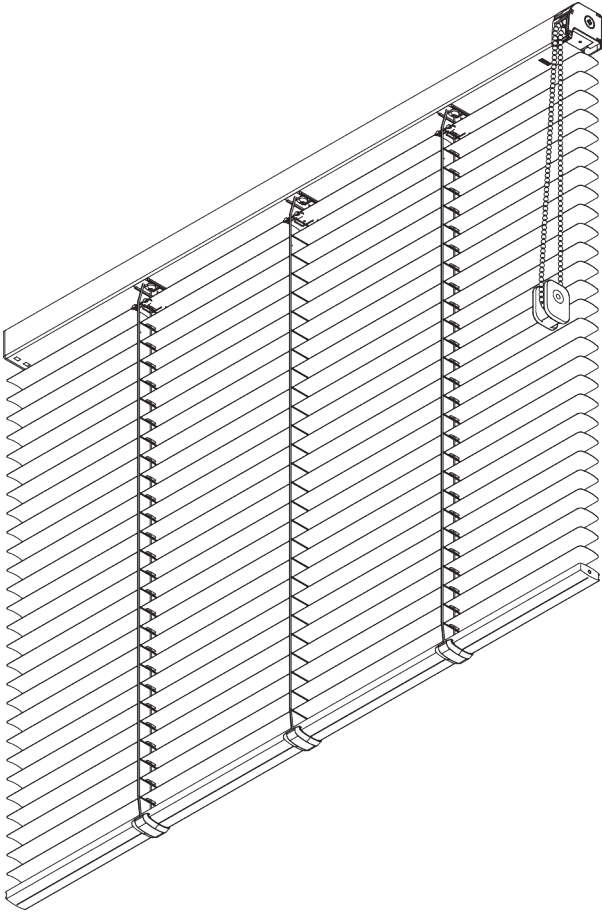
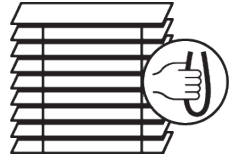


SG 8300



PRODUCT INFORMATION

- **Operation:** chain
- **Range:** S - M
- **Fitting:** ceiling, wall
- **Colours:** refer to Silent Gliss slat collection

Features:

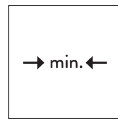
- Optimised light control
- Mono controlled
- Stainless steel bead chain
- Slat width: 25 mm (standard), 16 mm

SYSTEM SPECIFICATIONS

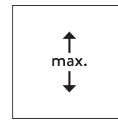
A. SYSTEM DIMENSIONS



3 m



50 cm



3 m



4.5 m²

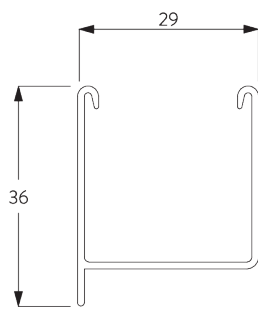
Slat stack heights

		50	100	150	200	250	300
16 / 25 mm	X	7	9	11	13	15	17

(cm)

B. PROFILE

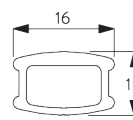
Profile information



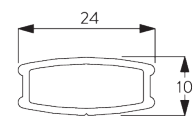
SG 8301
Profile



SG 8214
Profile ø 18 mm

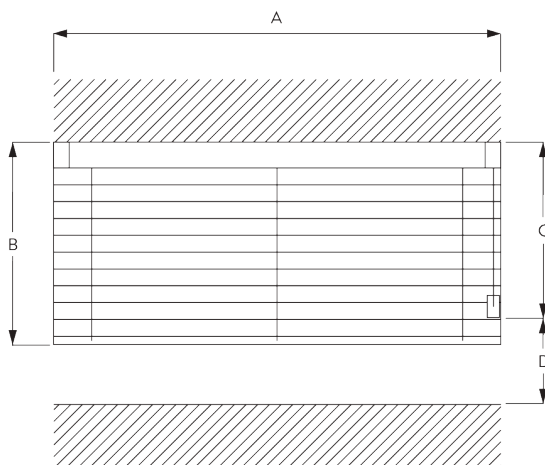


SG 8003
Bottom bar 16 mm



SG 8004
Bottom bar 24 mm

C. HOW TO MEASURE



- A: System width
- B: System height
- C: Chain height
- D: Safety Retainer SG 10731 min. 150 cm above floor

D. SPECIFICATION
TEXT

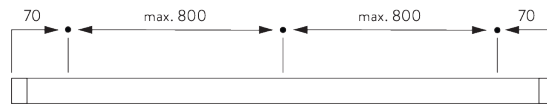
Silent Gliss SG 8300 Chain Operated Venetian Blind System. Supplied made to measure and complete comprising aluminium headrail SG 8301 incorporating flange to minimise light ingress at top of blind. Single chain operation RHS / LHS. System fixed with Snap-on-brackets SG 8302 to ceiling / wall at 800-1000mm intervals plus one 70mm from each end. Compliant to Child Safety legislation EN 13120 when used in conjunction with either the chain retainer SG 10400 or child safety device SG 10482. Slat colour to be chosen from Silent Gliss 16/25mm range, Price Group 1 / 2 / 3.

FITTING OPTIONS

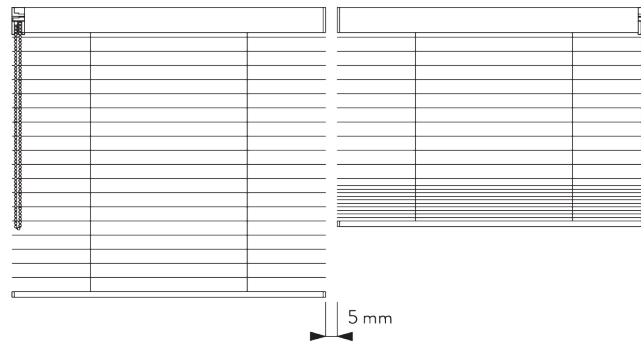
A. FITTING
INFORMATION

For detailed fitting information, visit the Silent Gliss website.

Fixing points



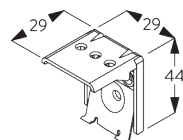
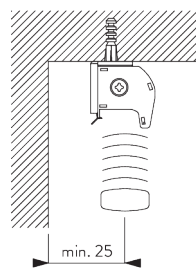
Side-by-side fitting



Min. distance: 5 mm

B. CEILING FITTING

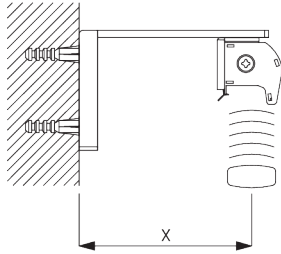
Bracket SG 8302



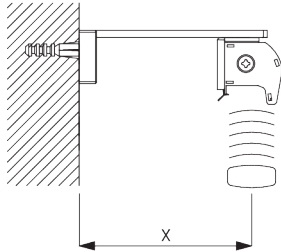
SG 8302
Bracket

C. WALL FITTING

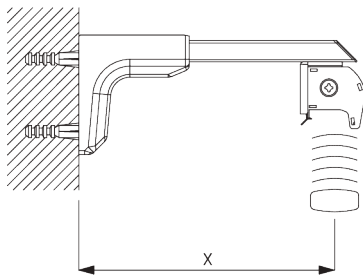
Smart Fix



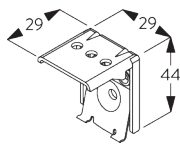
Smart Fix SG 11200 - SG 11201 and bracket SG 8302:
Screw SG 10395 (M4x6) needed.



**Square Smart Fix SG 11210 - SG 11211
and bracket SG 8302:**
Screw SG 10395 (M4x6) needed.



**Universal Smart Fix SG 11154 - SG 11156
and bracket SG 8302:**
Screw SG 10407 (M4x10) needed.



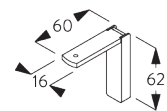
SG 8302
Bracket



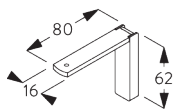
SG 10395
Pan head screw M4x6



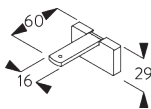
SG 10407
Pan head screw M4x10



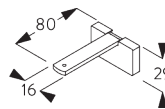
SG 11200
Smart Fix 60 mm



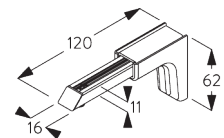
SG 11201
Smart Fix 80 mm



SG 11210
Square Smart Fix 60 mm

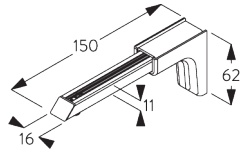


SG 11211
Square Smart Fix 80 mm

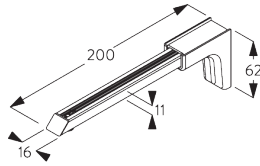


SG 11154
Universal Smart Fix 120 mm

Smart Fix	X mm
SG 11200 / SG 11210	59
SG 11201 / SG 11211	79
SG 11154	109-137
SG 11155	139-167
SG 11156	189-217

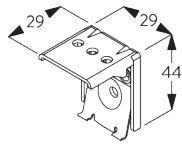
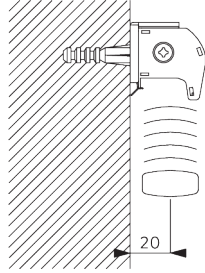


SG 11155
Universal Smart Fix 150 mm



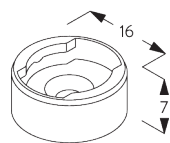
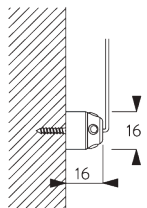
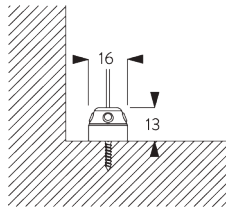
SG 11156
Universal Smart Fix 200 mm

Bracket SG 8302

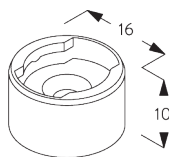


SG 8302
Bracket

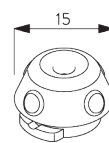
**D. FITTING WITH
SIDE GUIDE
OPTION**



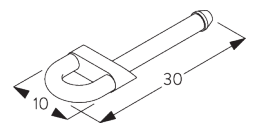
SG 8235
Side guide wire base short



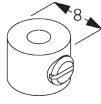
SG 8236
Side guide wire base long



SG 8237
Side guide wire holder

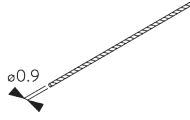


SG 8241
Side guide eyelet



SG 8249

Side guide device

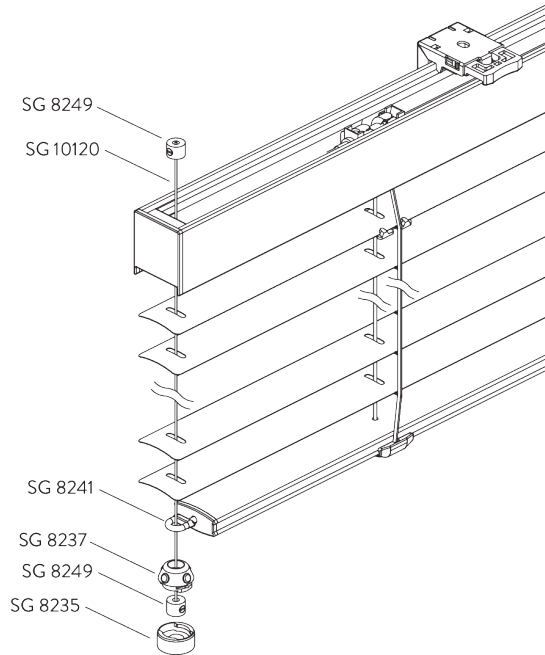


SG 10120

Side guide wire \varnothing 0.9 mm

SYSTEM OPTIONS

A. SIDE GUIDES



Additional parts:



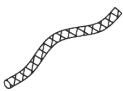


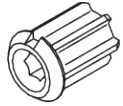


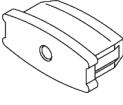
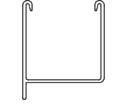
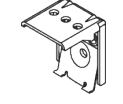
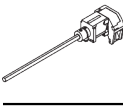
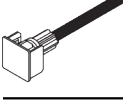
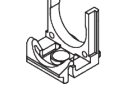
- 2x SG 8235 Side guide wire base short
- 2x SG 8237 Side guide wire holder
- 2x SG 8241 Side guide eyelet
- 4x SG 8249 Side guide device
- 2x SG 10120 Side guide wire \varnothing 0.9 mm

Note:





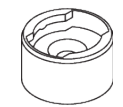
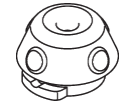
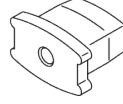
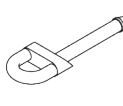
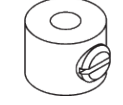
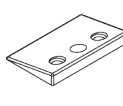
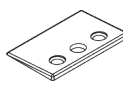
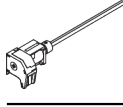
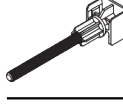
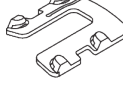
- Up to 15° from vertical

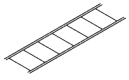
PARTS

A. STANDARD PARTS

	SG 8004 Bottom bar 24 mm
	SG 8007 Slat 25 mm
	SG 8011 Lift cord ø 1.2 mm
	SG 8013 Bottom clip 25 mm
	SG 8214 Profile ø 18 mm
	SG 8215 Tube adapter
	SG 8222 Ring
	SG 8224 Pin
	SG 8239 End cover 25 mm
	SG 8301 Profile
	SG 8302 Bracket
	SG 8305 Chain drive right
	SG 8317 Spindle left
	SG 8321 Support

B. OPTIONAL PARTS

	SG 8003 Bottom bar 16 mm
	SG 8006 Slat 16 mm
	SG 8012 Bottom clip 16 mm
	SG 8235 Side guide wire base short
	SG 8236 Side guide wire base long
	SG 8237 Side guide wire holder
	SG 8238 End cover 16 mm
	SG 8241 Side guide eyelet
	SG 8249 Side guide device
	SG 8262 Spacer 10°
	SG 8263 Spacer 4°
	SG 8306 Chain drive left
	SG 8316 Spindle right
	SG 10109 Slat clip 16 mm

**SG 10116**

Ladder cord 16 mm

**SG 10120**

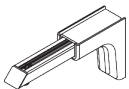
Side guide wire ø 0.9 mm

**SG 10395**

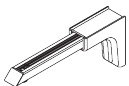
Pan head screw M4x6

**SG 10407**

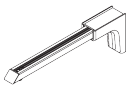
Pan head screw M4x10

**SG 11154**

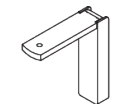
Universal Smart Fix 120 mm

**SG 11155**

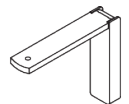
Universal Smart Fix 150 mm

**SG 11156**

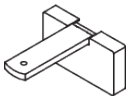
Universal Smart Fix 200 mm

**SG 11200**

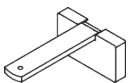
Smart Fix 60 mm

**SG 11201**

Smart Fix 80 mm

**SG 11210**

Square Smart Fix 60 mm

**SG 11211**

Square Smart Fix 80 mm